



Chipsmall Limited consists of a professional team with an average of over 10 year of expertise in the distribution of electronic components. Based in Hongkong, we have already established firm and mutual-benefit business relationships with customers from,Europe,America and south Asia,supplying obsolete and hard-to-find components to meet their specific needs.

With the principle of “Quality Parts,Customers Priority,Honest Operation,and Considerate Service”,our business mainly focus on the distribution of electronic components. Line cards we deal with include Microchip,ALPS,ROHM,Xilinx,Pulse,ON,Everlight and Freescale. Main products comprise IC,Modules,Potentiometer,IC Socket,Relay,Connector.Our parts cover such applications as commercial,industrial, and automotives areas.

We are looking forward to setting up business relationship with you and hope to provide you with the best service and solution. Let us make a better world for our industry!



Contact us

Tel: +86-755-8981 8866 Fax: +86-755-8427 6832

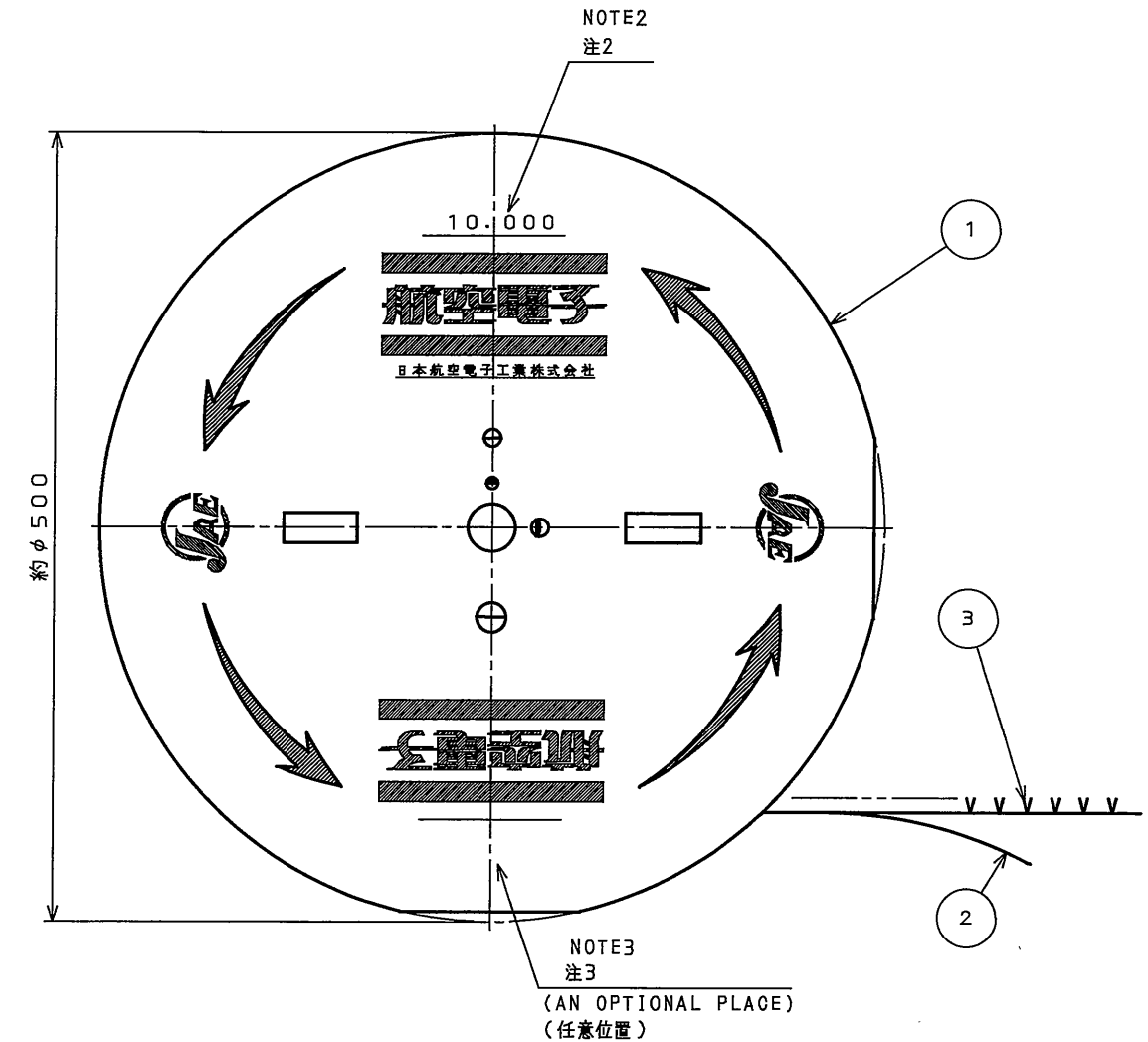
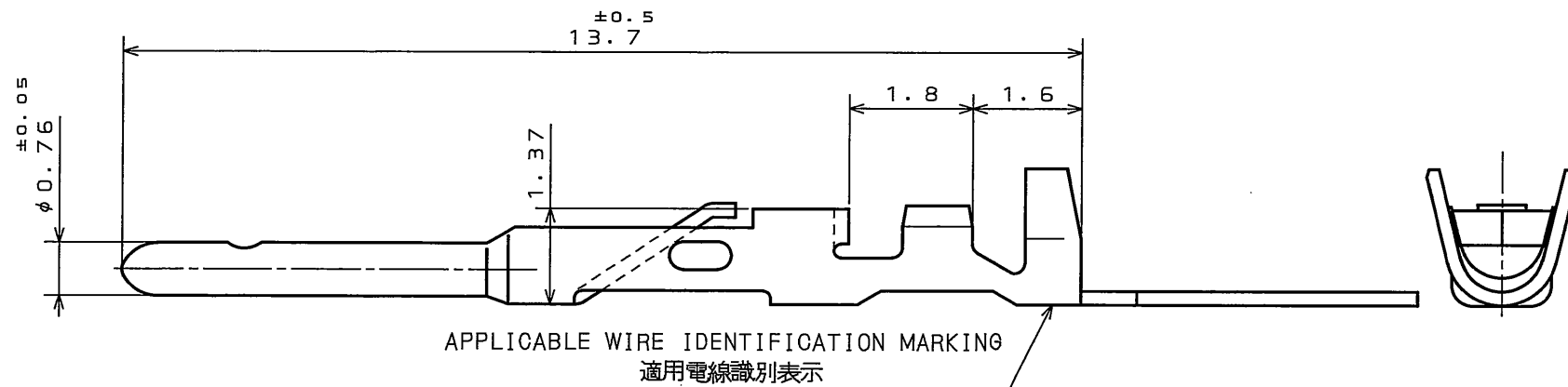
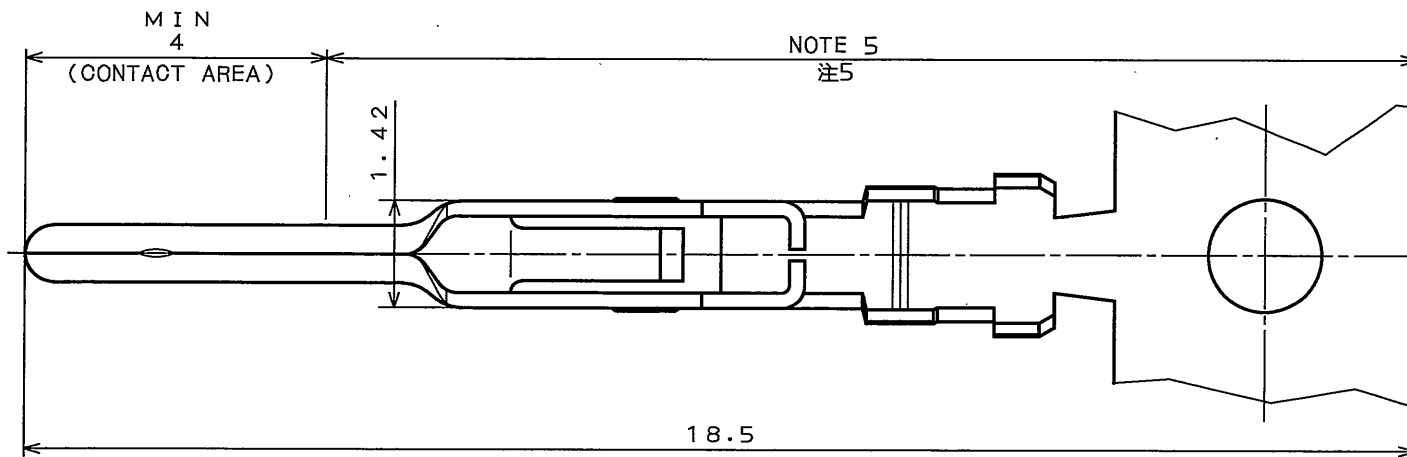
Email & Skype: info@chipsmall.com Web: www.chipsmall.com

Address: A1208, Overseas Decoration Building, #122 Zhenhua RD., Futian, Shenzhen, China



SJ037431
(ON 0NIMVWHD)台要図

| 版数 REV. | 年月日 DATE | DCN NO. | 変更内容 DESCRIPTION | 製図 DR. | 担当 CHK. | 査閲 APPD. | 承認 APPD. |
|------------|-------------|---------|------------------------------|-----------|-------------|--------------|-------------|
| 2 | 4.Jun.2003 | 52239 | REVISED WIRE SIZE | M.NITTA | E.MATSUMOTO | | S.NANAO |
| 3 | 10.Mar.2006 | 059590 | REVISED APPLICABLE CONTACTS. | | N.SASANO | E. Matsumoto | A. Onogawa |



| TITLE 名称 | APPLICABLE WIRE(NOTE1) 適用電線(注1) | | APPLICABLE WIRE IDENTIFICATION MARKING 適用電線識別表示 | PLATING THICKNESS OF Au IN CONTACT AREA 接触部の金メッキ厚 |
|----------------------|------------------------------------|------------------------|--|---|
| | WIRE SIZE 電線サイズ | OUTER DIAMETER 仕上外径 | | |
| △ JN1-22-20P-R-10000 | AWG#20~21 | φ 1.5 MAX | 20 | Au : 0.1 μm MIN |
| JN1-22-22P-10000 | AWG#21~25 | φ 1.5 MAX | 22 | |
| JN1-22-26P-10000 | AWG#26~28 | φ 1.1 MAX | 26 | |

- NOTE1.THESE CONTACTS ARE SUPPLIED 10,000 PIECES PER REEL.
 2.THE QUANTITY IS DESIGNATED AS SHOWN IN THE DRAWING.
 3.THE LABEL IN WHICH THE PART NUMBER AND QUANTITY ARE DESIGNATED IS PASTED AS SHOWN IN THE DRAWING.
 4.CONFIRM THE HANDING MANUAL FOR THE DETAILS OF WIRE SPECIFICATION.
 △ 5.ONLY JN1-22-20P-R-10000, PLATING IN THIS AREA IS TIN-LEAD PLATING.

- 注1. 本コンタクトはリール状で供給され、10000本/リールとする。
 2. 図示の位置に数量を表示する。
 3. 図示の位置に品名、数量等を記入したラベルが貼られている。
 4. 電線仕様詳細は、取扱説明書を確認してください。
 △ 5.JN1-22-20P-R-10000のみこの範囲のめっきは半田めっきである。

| 3 | PIN CONTACT | 10000 | COPPER ALLOY | GOLD PLATING OVER NICKEL(NOTE5) | |
|--|-------------------|-----------------------------------|----------------|---|---------------------|
| 2 | PAPER TAPE | 1 | PAPER | | |
| 1 | MAGAZING | 1 | PAPER | | |
| 符号 NO. | 名称 DESCRIPTION | 個数 QTY. | 材料 MATERIAL | 仕上 FINISH | 備考 REMARKS |
| 仕様書(SPECIFICATION) JACS-5111 JAHL-5111 | | 第1版(ORIGINAL DATE) 24.Jan.2003 | | 尺度(SCALE) 10:1 | シリーズ(SERIES) JN1 |
| 一般差(GENERAL TOLERANCE) | | 製図 DR. | | 名称(TITLE) JN1-22-2※P -※-10000 | |
| 寸法(DIMENSION) | | 担当 CHK. E.MATSUMOTO | | 日本航空電子工業株式会社 JAPAN AVIATION ELECTRONICS INDUSTRY, LTD. | |
| 角度(ANGLES) | | 査閲 APPD. | | | |
| . ±0.8 X° ± | | 承認 APPD. S.NANAO | | | |
| .X ±0.4 X°X ± | | | | 図面番号(DRAWING NO.) SJ037431 | |
| .XX ±0.1 | | | | 質量(MASS) | |
| .XXX ± | | | | 版数 (REV.) 3 | |

