



Chipsmall Limited consists of a professional team with an average of over 10 year of expertise in the distribution of electronic components. Based in Hongkong, we have already established firm and mutual-benefit business relationships with customers from,Europe,America and south Asia,supplying obsolete and hard-to-find components to meet their specific needs.

With the principle of “Quality Parts,Customers Priority,Honest Operation,and Considerate Service”,our business mainly focus on the distribution of electronic components. Line cards we deal with include Microchip,ALPS,ROHM,Xilinx,Pulse,ON,Everlight and Freescale. Main products comprise IC,Modules,Potentiometer,IC Socket,Relay,Connector.Our parts cover such applications as commercial,industrial, and automotives areas.

We are looking forward to setting up business relationship with you and hope to provide you with the best service and solution. Let us make a better world for our industry!



Contact us

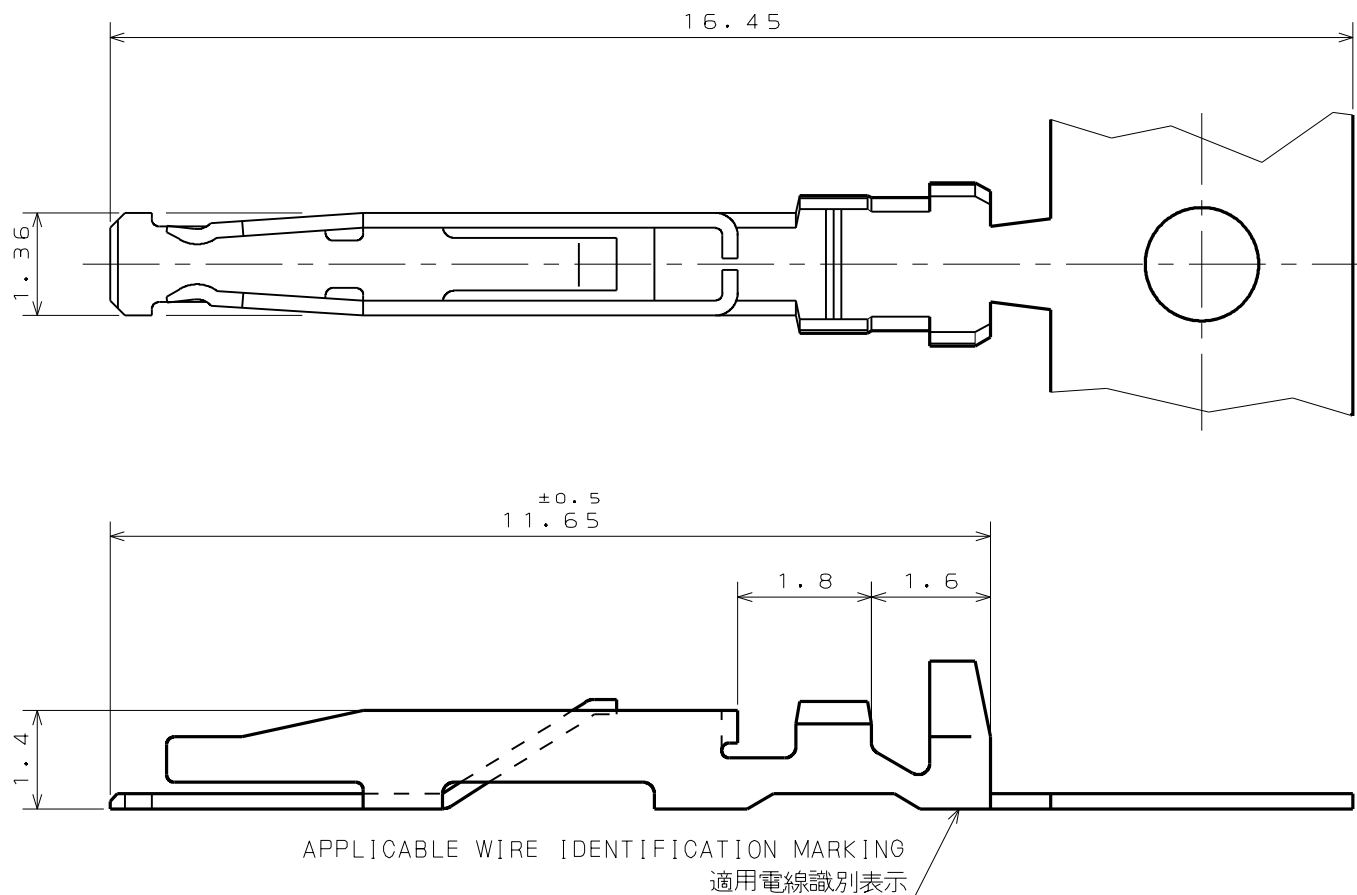
Tel: +86-755-8981 8866 Fax: +86-755-8427 6832

Email & Skype: info@chipsmall.com Web: www.chipsmall.com

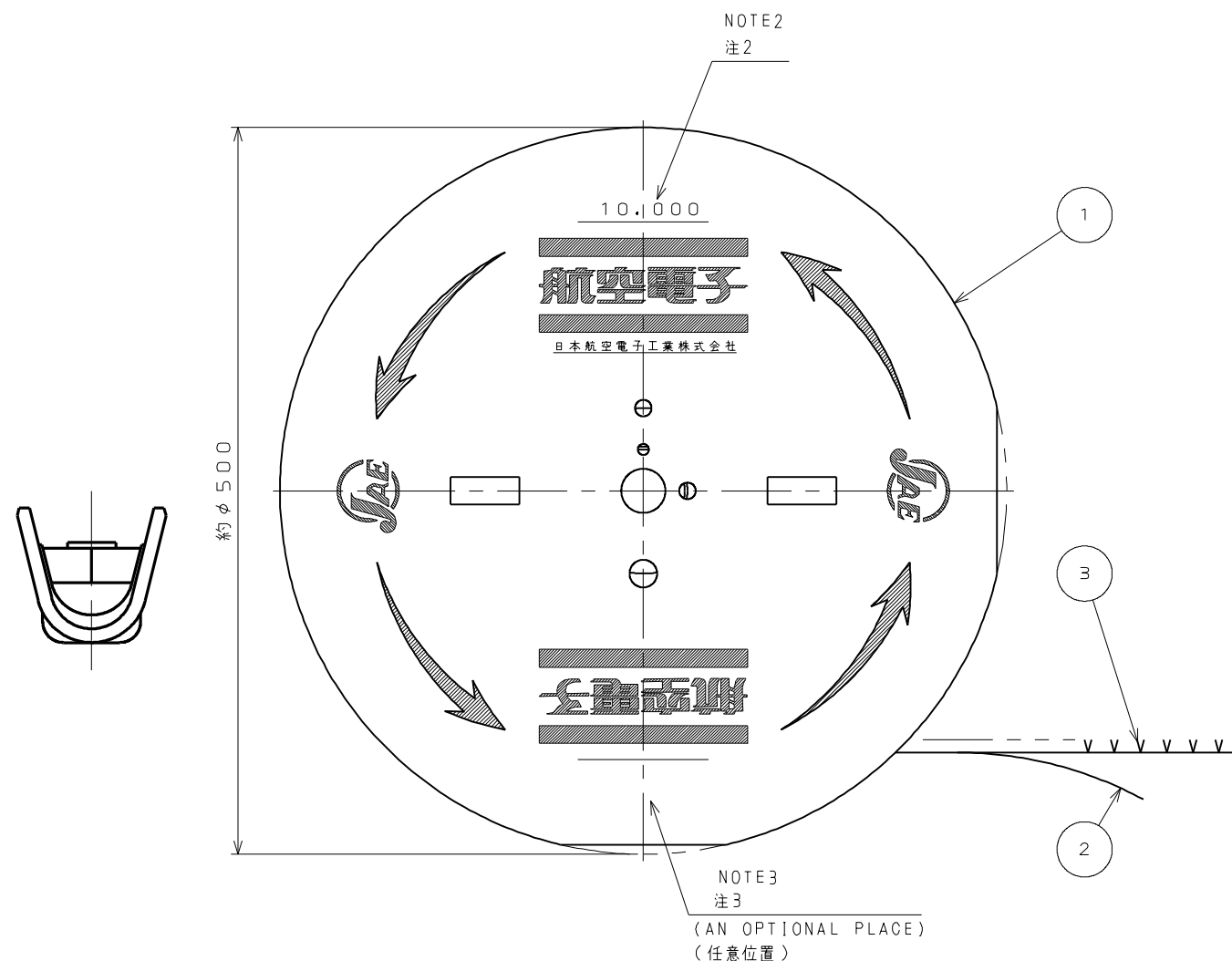
Address: A1208, Overseas Decoration Building, #122 Zhenhua RD., Futian, Shenzhen, China



7055504
SJ035504
(DRAWING NO.) 図番



版数 VER.	年月日 DATE	CN NO.	変更内容 DESCRIPTION	製図 DR.	担当 CHK.	査閲 APPD.	承認 APPD.
2	10.Apr.2001	47964	ADDED NOTE4.	---	E.MATSUMOTO	S.NANA0	M.MAJIME
3	28.Sep.2001	48849	ADDED ITEM	---	E.MATSUMOTO	---	S.NANA0
4	4.Jun.2003	52239	REVISED WIRE SIZE	M.NITTA	E.MATSUMOTO	---	S.NANA0
5	10.Mar.2006	059590	REVISED APPLICABLE CONTACTS.	---	N.SASANO	E.MATSUMOTO	A.ONOGAWA
6	12.Feb.2013	005349	CORRECT AN ERROR.	---	K.SAITOU	H.EBIHARA	E.MATSUMOTO



T I T L E 名 称	APPLICABLE WIRE (NOTE 4) 適用電線 (注 4)		APPLICABLE WIRE IDENTIFICATION MARKING	CONTACT AREA GOLD PLATING AREA THICKNESS
	WIRE SIZE 電線サイズ	FINISH OUTER DIAMETER 仕上外径	適用電線 識別表示	接触部 Auメッキ厚
JN1-22-20S-R-10000	AWG #20~21	φ1.5MAX φ1.5以下	20	0.1μmMIN 0.1μm以上
JN1-22-22S-10000	AWG #21~25	φ1.5MAX φ1.5以下	22	0.1μmMIN 0.1μm以上
JN1-22-26S-10000	AWG #26~28	φ1.1MAX φ1.1以下	26	0.1μmMIN 0.1μm以上

NOTE1.THESE CONTACTS ARE SUPPLIED 10,000 PIECES PER REEL.
 2.THE QUANTITY IS DESIGNATED AS SHOWN IN THE DRAWING.
 3.THE LABEL IN WHICH THE PART NUMBER AND QUANTITY ARE DESIGNATED IS PASTED AS SHOWN IN THE DRAWING.
 4. CONFIRM THE HANDING MANUAL FOR THE DETAILS OF WIRE SPECIFICATION.

注1. 本コンタクトはリール状で供給され、10000本/リールとする。
 2. 図示の位置に数量を表示する。
 3. 図示の位置に品名、数量等を記入したラベルが貼られている。
 4. 電線仕様詳細は、取扱説明書を確認してください。

3	SOCKET CONTACT	10000	COPPER ALLOY	GOLD PLATING OVER NICKEL	
2	PAPER TAPE	1	PAPER		
1	MAGAZING	1	PAPER		
符号 NO.	名 称 DESCRIPTION	個 数 QTY.	材 料 MATERIAL	仕 上 FINISH	備 考 REMARKS
仕様書 (SPECIFICATION) JACS-5111 JAHL-5111		第1版 (ORIGINAL DATE) 27.Oct.2000		尺度 (SCALE) 10:1	シリーズ (SERIES) JN1
一般差 (GENERAL TOLERANCE)		製図 DR. M.TANAKA		名称 (TITLE) JN1-22-2※S -※-10000	
寸法 (DIMENSION)		担当 CHK. E.MATSUMOTO			
角度 (ANGLES)		査閲 APPD. S.NANA0			
単位 (UNIT): mm		承認 APPD. M.MAJIME			
· ±0.8	×° ±			質量 (MASS)	
·× ±0.4	×°× ±				
·×× ±0.1					
·××× ±					
				日本航空電子工業株式会社 JAPAN AVIATION ELECTRONICS INDUSTRY, LTD.	
				図面番号 (DRAWING NO.) SJ035504	
				版数 (VER.) 6	