



Chipsmall Limited consists of a professional team with an average of over 10 year of expertise in the distribution of electronic components. Based in Hongkong, we have already established firm and mutual-benefit business relationships with customers from,Europe,America and south Asia,supplying obsolete and hard-to-find components to meet their specific needs.

With the principle of “Quality Parts,Customers Priority,Honest Operation,and Considerate Service”,our business mainly focus on the distribution of electronic components. Line cards we deal with include Microchip,ALPS,ROHM,Xilinx,Pulse,ON,Everlight and Freescale. Main products comprise IC,Modules,Potentiometer,IC Socket,Relay,Connector.Our parts cover such applications as commercial,industrial, and automotives areas.

We are looking forward to setting up business relationship with you and hope to provide you with the best service and solution. Let us make a better world for our industry!



## Contact us

Tel: +86-755-8981 8866 Fax: +86-755-8427 6832

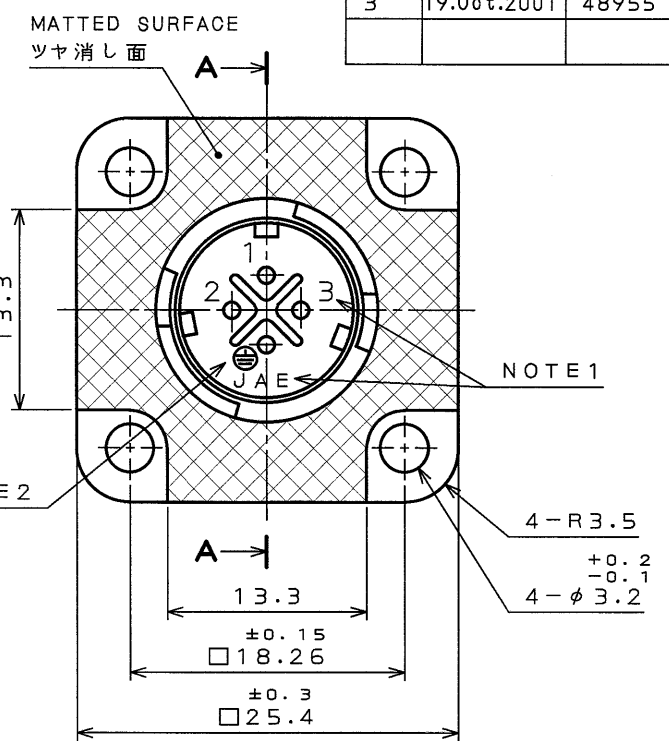
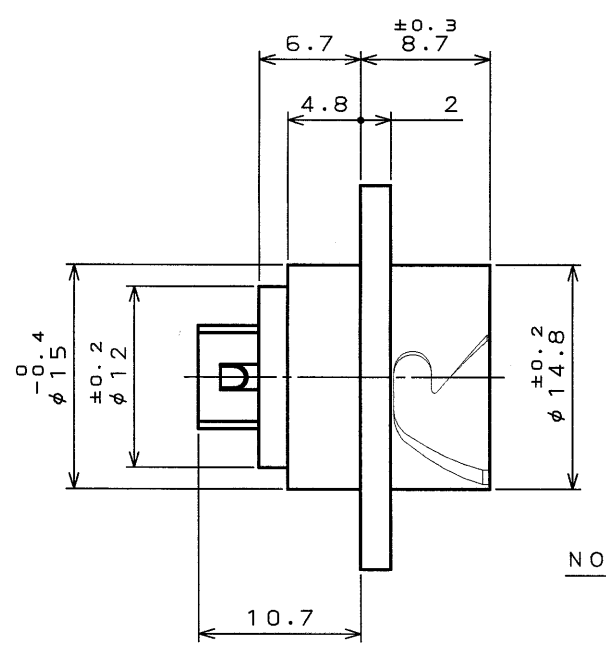
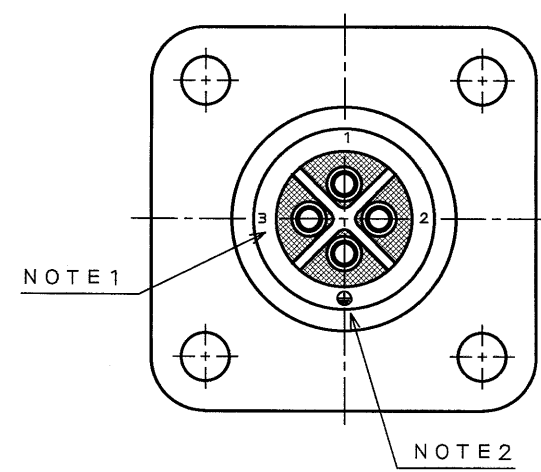
Email & Skype: info@chipsmall.com Web: www.chipsmall.com

Address: A1208, Overseas Decoration Building, #122 Zhenhua RD., Futian, Shenzhen, China



SJ035649  
(ON DRAWING) 台要図

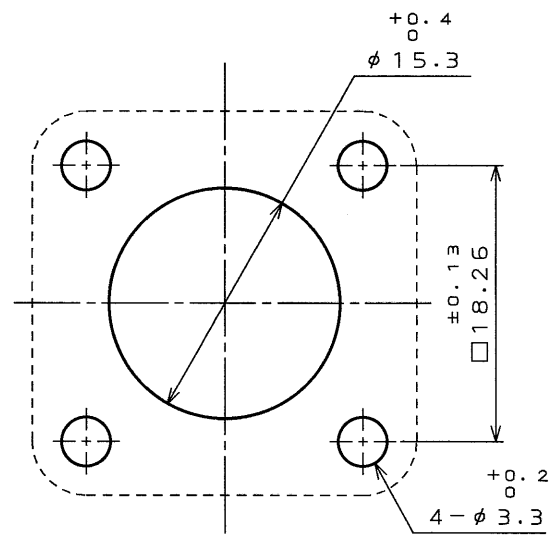
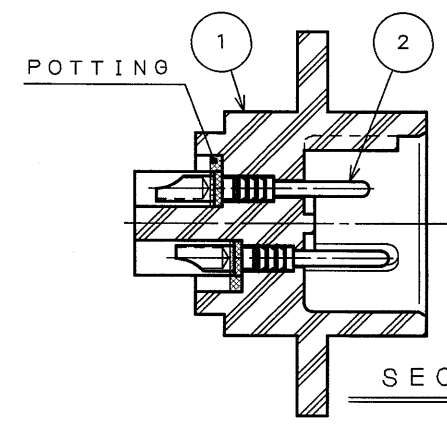
版数 REV.	年月日 DATE	DCN NO.	変更内容 DESCRIPTION	製図 DR.	担当 CHK.	査閲 APPD.	承認 APPD.
2	10.Apr.2001	47955	ADDED POLARIZING KEY POSITION.	—	E.MATSUMOTO	S.NANAO	M.MAJIME
3	19.Oct.2001	48955	REVISED SPECIFICATION	—	E.MATSUMOTO	<i>S. Nanao</i>	<i>S. Nanao</i>



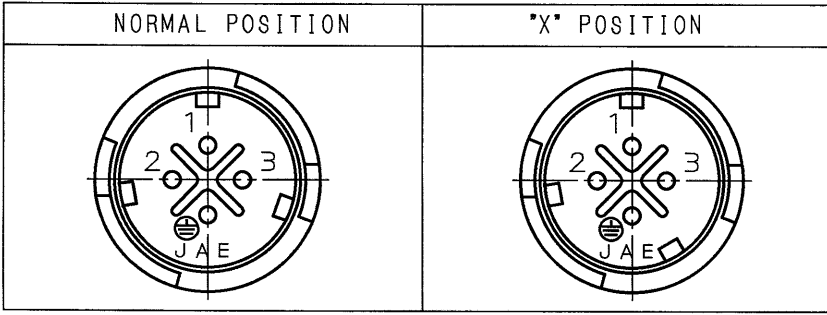
DESIGNATION

命名法  
J N 1 A S O 4 M K 1 ※

- △ POLARIZING KEY POSITION (NOTE3)  
NO MARK: NORMAL POSITION  
X : "X" POSITION  
嵌合キーの識別(無し: ノーマルポジション)  
(注3) (X: "X"ポジション)
- MODIFICATION NUMBER  
WITHOUT CONSTRUCTION HAVING  
EARTH FUNCTION.  
モディファイ番号(1: アース接続構造無し)
- CONTACT SIZE (K: #20)  
コンタクトサイズ (K: #20)
- TERMINATION (M: SOLDER TYPE)  
結線方法 (M: 半田結線)
- NO. OF CONTACTS (4 CONTACTS)  
芯数 (4芯)
- SHELL SIZE  
シェルサイズ
- MOUNTING CONFIGURATION  
(A: RECEPTACLE WITH PANEL MOUNTING)  
接栓形状 (A: パネル取付レセプタクル)
- SERIES  
シリーズ



- NOTE1. CONTACT POSITION NUMBER & COMPANY LOGO "JAE" ARE MARKED AS INDICATED.  
2. EARTH MARK (⊕) IS MARKED AS INDICATED.  
△ 3. THE LOCATION OF KEY IS DIFFERENT BETWEEN NORMAL POSITION AND "X" POSITION TO PREVENT MISMATING.  
PART NUMBER OF "X" POSITION CONNECTOR HAS THE SUFFIX "X" FOR THE POLARIZATION.



△ POLARIZING KEY POSITION (NOTE3)

PANEL CUT-OUT DIMENSION (REF.)

- 注1. 図示の位置に端子番号及び社名を表示する。  
2. 図示の位置にアースマーク(⊕)を表示する。  
△ 3. ノーマルポジションと"X"ポジションはキーの位置が異なり、誤嵌合を防止する。  
"X"ポジションは誤嵌合防止として、品名の末尾に"X"が付く。

SPECIFICATION

NUMBER OF CONTACTS	: 4×#20	POLLUTION DEGREE/2, △
RATED VOLTAGE	: 400VAC	OVER VOLTAGE CATEGORY/II
	: 200VAC	POLLUTION DEGREE/3,
	: 5A MAX.	OVER VOLTAGE CATEGORY/III
RATED CURRENT		per CONTACT
DIELECTRIC		
WITHSTANDING VOLTAGE	: 2000VAC △	
INSULATION RESISTANCE	: 1000MΩ MIN. (AT 500VDC)	
APPLICABLE CABLE	: 0.75mm MAX	
AIR LEAKAGE	: NO LEAKAGE OF AIR AT 2.9×10 <sup>4</sup> Pa APPLIED TO MATING SIDE FOR 1 MIN	

仕様

コンタクト	: #20コンタクト 4本
定格電圧	: 400VAC (汚染度: 2/過電圧範疇: II) △
	: 200VAC (汚染度: 3/過電圧範疇: III)
定格電流	: 5A以下/1芯
耐電圧	: 2000VAC △
絶縁抵抗	: 1000MΩ以上(500VDCにて)
適合ケーブル	: 0.75mm以下
気密性	: 2.9×10 <sup>4</sup> Pa の圧力にて漏れなきこと。(1分間、嵌合部より)

2	PIN CONTACT	4	COPPER ALLOY	SILVER PLATING	
1	PIN INSULATOR	1	SYNTHETIC RESIN		COLOR: BLACK
符号 NO.	名称 DESCRIPTION	個数 QTY.	材料 MATERIAL	仕上 FINISH	備考 REMARKS
仕様書 (SPECIFICATION)	JACS-5111-2 J AHL-5111	第1版 (ORIGINAL DATE)	10.Jan.2001	シリーズ (SERIES)	JN1
公差 (GENERAL TOLERANCE)		製図 DR.	E.MATSUMOTO T.SHIMOYAMA	名称 (TITLE)	JAE CONNECTOR.COM Reference Only
寸法 (DIMENSION)	角度 (ANGLES)	担当 CHK.	S.NANAO	JN1ASO4MK1※ (RECEPTACLE) (レセプタクル)	JAE ELECTRONICS INDUSTRY, LTD.
. ±0.8	X° ±	査閲 APPD.	M.MAJIME	重量 (WEIGHT)	図面番号 (DRAWING NO.) SJ035649
.X ±0.4	X°X ±	承認 APPD.			版数 (REV.) 3
.XX ±0.1					
.XXX ±					

DOF-0-212D(98.02)

CDS-00-100-10629

SIZE 3