



Chipsmall Limited consists of a professional team with an average of over 10 year of expertise in the distribution of electronic components. Based in Hongkong, we have already established firm and mutual-benefit business relationships with customers from,Europe,America and south Asia,supplying obsolete and hard-to-find components to meet their specific needs.

With the principle of “Quality Parts,Customers Priority,Honest Operation,and Considerate Service”,our business mainly focus on the distribution of electronic components. Line cards we deal with include Microchip,ALPS,ROHM,Xilinx,Pulse,ON,Everlight and Freescale. Main products comprise IC,Modules,Potentiometer,IC Socket,Relay,Connector.Our parts cover such applications as commercial,industrial, and automotives areas.

We are looking forward to setting up business relationship with you and hope to provide you with the best service and solution. Let us make a better world for our industry!



Contact us

Tel: +86-755-8981 8866 Fax: +86-755-8427 6832

Email & Skype: info@chipsmall.com Web: www.chipsmall.com

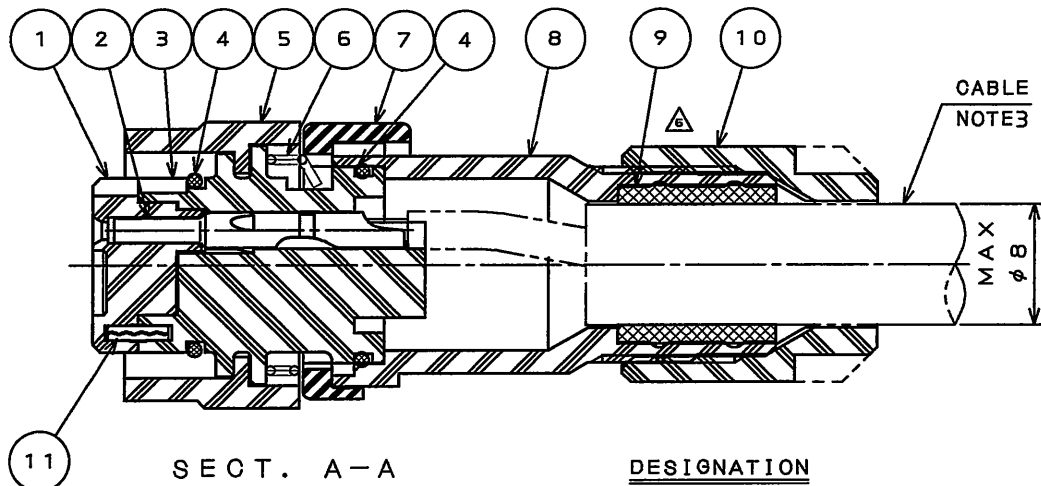
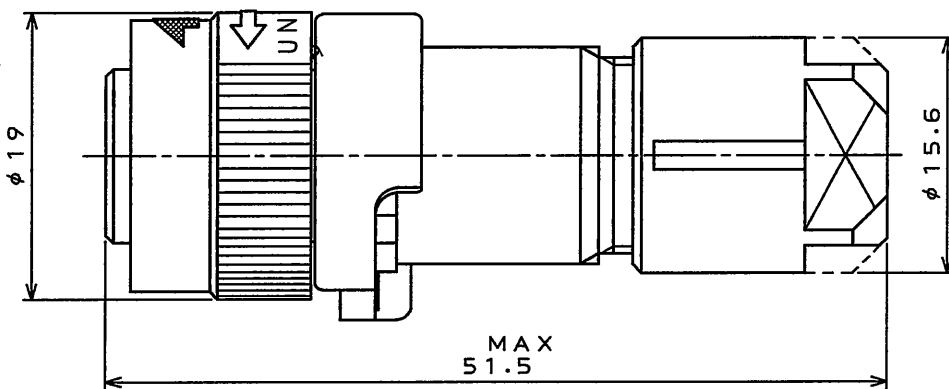
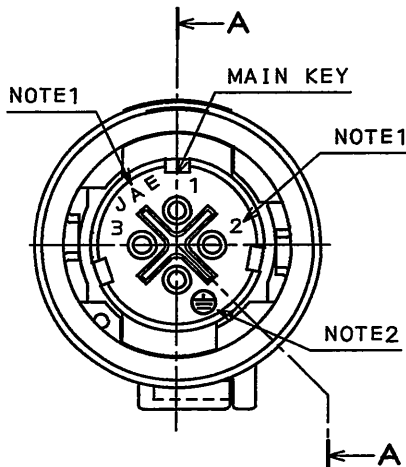
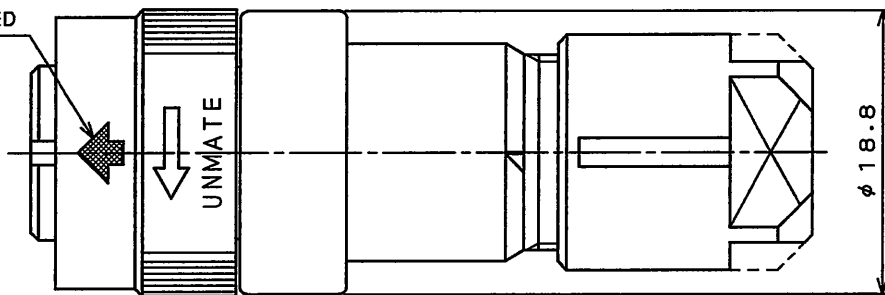
Address: A1208, Overseas Decoration Building, #122 Zhenhua RD., Futian, Shenzhen, China



9995E0RS

('ON 0NIMVHD) 台型埋込

WHITE MARKING AS INDICATED
白マーキング表示



SECT. A-A

DESIGNATION

命名法

JN1DS04FK**

POLARIZING KEY POSITION (NOTE4)
NO MARK: NORMAL POSITION
X: "X" POSITION
嵌合キーの識別(無し:ノーマルポジション)
(注4) (X: "X"ポジション)

MODIFICATION NUMBER (NOTE3)
モディファイ番号(注3)

CONTACT SIZE (K: #20)
コンタクトサイズ (K: #20)

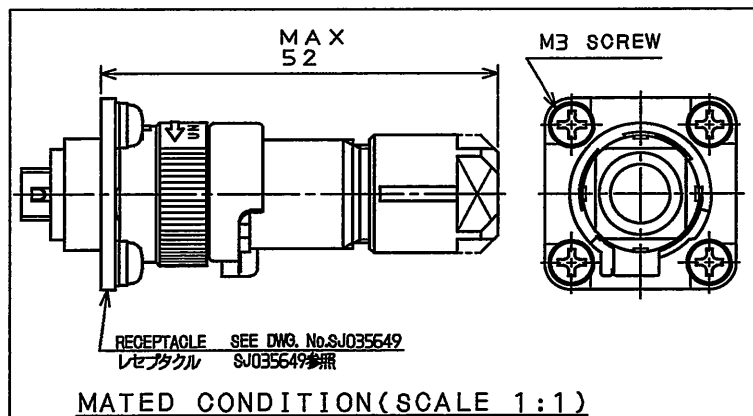
TERMINATION (F: SOLDER TYPE)
結線方法 (F: 半田結線)

NUMBER OF CONTACTS (4 CONTACTS)
芯数 (4芯)

SHELL SIZE
シェルサイズ

MOUNTING CONFIGURATION (D: STRAIGHT PLUG)
挿入形状 (D: ストレートプラグ)

SERIES
シリーズ



MATED CONDITION (SCALE 1:1)

嵌合状態図(尺度 1:1)

版数 REV.	年月日 DATE	DCN NO.	変更内容 DESCRIPTION	製図 DR.	担当 CHK.	査閲 APPD.	承認 APPD.
5	30.Mar.2007	062675	REVISED NOTE	T.TAKESHITA	T.SUZUKI	E.MATSUMOTO	A.ONOGAWA
6	15.Oct.2009	067605	REVISED FORM		H.NAKAJIMA	T.OKAMURA	E.MATSUMOTO
7	12.Jan.2010	069275	CHANGED RATED VOLTAGE		H.TOYOFUKU	T.OKAMURA	E.MATSUMOTO

NOTE1. CONTACT POSITION NUMBER & COMPANY LOGO "JAE" ARE MARKED AS INDICATED.

2. EARTH MARK(⊕) IS MARKED AS INDICATED.

3. THE APPLICABLE CABLE IS SPECIFIED IN THE PART NUMBER.

PART NUMBER, THE APPLICABLE CABLE DIAMETER AND THE COLOR OF BUSHING ARE LISTED IN THE TABLE-1.

4. THE LOCATION OF KEY IS DIFFERENT BETWEEN NORMAL POSITION AND "X" POSITION TO PREVENT MISMATING.

PART NUMBER OF "X" POSITION CONNECTOR HAS THE SUFFIX "X" FOR THE POLARIZATION.

注1. 図示の位置に端子番号及び社名を表示する。

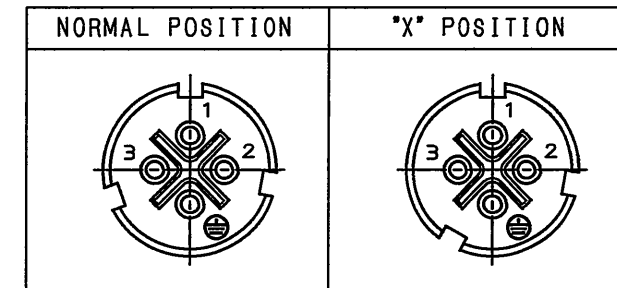
2. 図示の位置にアースマーク(⊕)を表示する。

3. 本製品は、品名により適用ケーブル(ブッシング)部品)が異なる。
品名、適用ケーブル径及び色相は表-1による。

4. ノーマルポジションと"X"ポジションはキーの位置が異なり、誤嵌合を防止する。
"X"ポジションは誤嵌合防止として、品名の末尾に"X"が付く。

TABLE-1【APPLICABLE WIRE DIM.】

PART NUMBER	APPLICABLE WIRE DIM.	BUSHING COLOR
JN1DS04FK 1	φ5.7~7.3	BLACK
JN1DS04FK 2	φ6.5~8.0	GRAY
JN1DS04FK 3	φ3.5~5.0	BRICK



POLARIZING KEY POSITION

(NOTE4)

SPECIFICATION

NUMBER OF CONTACTS	: 4X#20
RATED VOLTAGE	: 400VAC POLLUTION DEGREE/2, OVER VOLTAGE CATEGORY/III
RATED CURRENT	: 5A MAX. per CONTACT
DIELECTRIC WITHSTANDING VOLTAGE	: 2000VAC
INSULATION RESISTANCE	: 1000MΩMIN. (AT 500VDC)
APPLICABLE CABLE	: 1.25mm MAX (φ2.7MAX)
SUBMERSIBLE PROPERTY	: IP67 (MATED)

仕様

コンタクト : #20コンタクト 4本
定格電圧 △: 400VAC (汚染度: 2/過電圧範疇: II)
定格電流 : 5A以下/1芯
耐電圧 : 2000VAC
絶縁抵抗 : 1000MΩ以上 (500VDCにて)
適用ケーブル : 1.25mm以下 (被覆外径φ2.7以下)
防水性能 : IP67 (嵌合時)

符号 NO.	名称 DESCRIPTION	個数 QTY.	材料 MATERIAL	仕上 FINISH	備考 REMARKS
1	SPRING PIN	2	STAINLESS STEEL		
10	GLAND NUT	1	SYNTHETIC RESIN		COLOR:BLACK
9	BUSHING	1	SYNTHETIC RUBBER		NOTE3
8	STRAIGHT ENDBELL	1	SYNTHETIC RESIN		COLOR:BLACK
7	ASSEMBLY NUT	1	SYNTHETIC RESIN		COLOR:BLACK
6	SPRING	1	STAINLESS STEEL		
5	COUPLING NUT	1	SYNTHETIC RESIN		COLOR:BLACK
4	"O" RING	2	SYNTHETIC RUBBER		COLOR:BLACK
3	REAR INSULATOR	1	SYNTHETIC RESIN		COLOR:BLACK
2	SOCKET CONTACT	4	COPPER ALLOY	SILVER PLATING	
1	FRONT INSULATOR	1	SYNTHETIC RESIN		COLOR:BLACK

仕様書 (SPECIFICATION)	第1版 (ORIGINAL DATE) 1.Mar.2001	尺度 (SCALE) 2:1	シリーズ (SERIES) JN1	日本航空電子工業株式会社 JAPAN AVIATION ELECTRONICS INDUSTRY, LTD.
JACS-5111-2 J AHL-5111	製図 DR. H.SAKURADA	名称 (TITLE) JN1DS04FK** (STRAIGHT PLUG) (ストレートプラグ)	図面番号 (DRAWING NO.) SJ035666	版数 (REV.) 7
公差 (GENERAL TOLERANCE)	担当 CHK. E.MATSUMOTO T.SHIMOYAMA	質量 (MASS) 7.7g		
寸法 (DIMENSION)	査閲 APPD. S.NANAO			
角度 (ANGLES)	承認 APPD. M.MAJIME			
. ±0.8	X° ±			
.X ±0.4	X°X' ±			
.XX ±0.1				
.XXX ±				