



Chipsmall Limited consists of a professional team with an average of over 10 year of expertise in the distribution of electronic components. Based in Hongkong, we have already established firm and mutual-benefit business relationships with customers from,Europe,America and south Asia,supplying obsolete and hard-to-find components to meet their specific needs.

With the principle of “Quality Parts,Customers Priority,Honest Operation,and Considerate Service”,our business mainly focus on the distribution of electronic components. Line cards we deal with include Microchip,ALPS,ROHM,Xilinx,Pulse,ON,Everlight and Freescale. Main products comprise IC,Modules,Potentiometer,IC Socket,Relay,Connector.Our parts cover such applications as commercial,industrial, and automotives areas.

We are looking forward to setting up business relationship with you and hope to provide you with the best service and solution. Let us make a better world for our industry!



## Contact us

Tel: +86-755-8981 8866 Fax: +86-755-8427 6832

Email & Skype: info@chipsmall.com Web: www.chipsmall.com

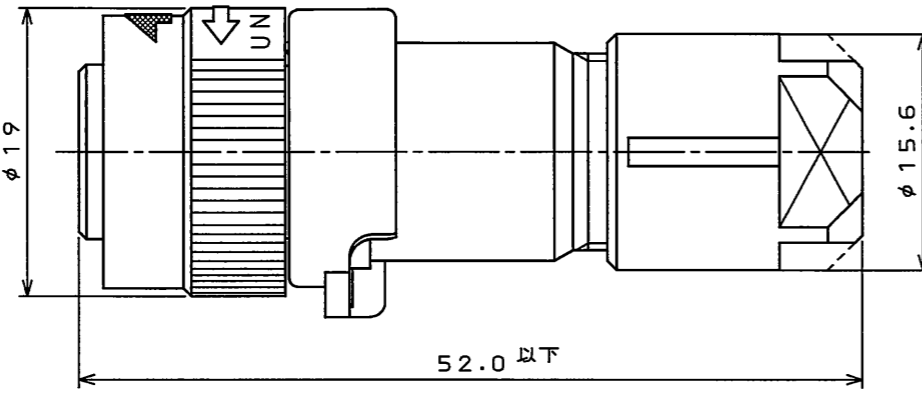
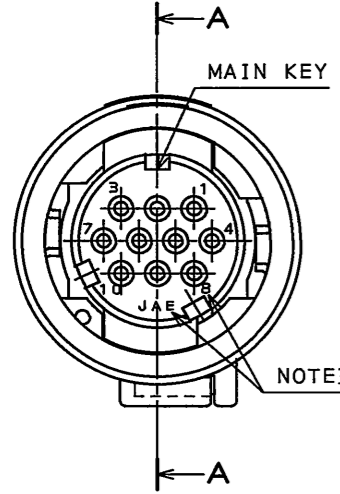
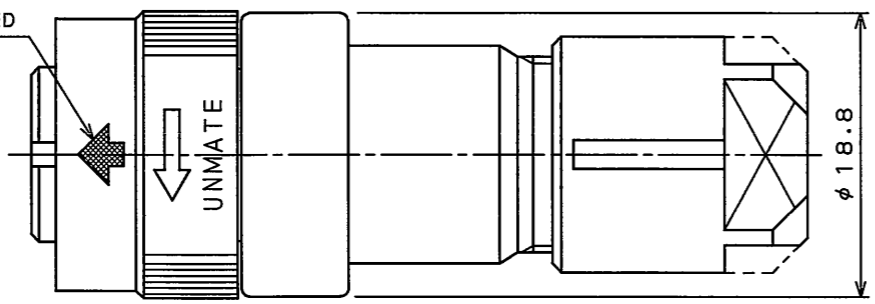
Address: A1208, Overseas Decoration Building, #122 Zhenhua RD., Futian, Shenzhen, China



SJ034679  
(ON DRAWING)台票理図

版数 REV.	年月日 DATE	DCN NO.	変更内容 DESCRIPTION	製図 DR.	担当 CHK.	査閲 APPD.	承認 APPD.
9	11.Jan.2007	061950	ADDITION OF ITEMS AND REDRAWN	—	T.SUZUKI	E.MATSUMOTO	A.ONOGAWA
10	15.Oct.2009	067605	REVISED FORM	—	H.NAKAJIMA	T.OKAMURA	E.Matsumoto

WHITE MARKING AS INDICATED  
白マーキング表示



NOTE1. CONTACTS ARE SOLD SEPARATELY. THE APPLICABLE CONTACTS ARE LISTED IN THE TABLE-1.  
 2. THE APPLICABLE CABLE IS SPECIFIED IN THE PART NUMBER.  
 PART NUMBER, THE APPLICABLE CABLE DIAMETER AND THE COLOR OF BUSHING ARE LISTED IN THE TABLE-2.  
 3. CONTACT POSITION NUMBER & COMPANY LOGO 'JAE' ARE MARKED AS INDICATED.  
 4. CONFIRM THE HANDING MANUAL FOR THE DETAILS OF WIRE SPECIFICATION.  
 5. J10 ADJUSTMENT IS REQUIRED WHEN USING 350-D02-2.  
 注1. コネクタは別売り品であり、適用コネクタは表-1による。  
 2. 本製品は、品名により適用ケーブル(ブッシング部品)が異なる。品名、適用ケーブル径及び色相は表-2による。  
 3. 図示の位置に端子番号及び社名を表示する。  
 4. 電線仕様詳細は、取扱説明書を確認してください。  
 5. 350-D02-2を使用する場合は、治具の調整が必要となります。

TABLE-1【APPLICABLE CRIMP CONTACT】

CONTACT SIZE コネクタ サイズ	PIECE 区分	APPLICABLE CONTACTS 適用コネクタ品名		TYPE タイプ	APPLICABLE WIRE (NOTE4) 適用電線(注4)	TYPE 工具種別	APPLICABLE TOOL AND APPLICABLE WIRE 適用工具と適用電線	TOOL HANDLING MANUAL 工具取扱説明書	
		SOCKET CONTACT ソケットコネクタ	DWG No. 製品図番番号						
#22	INDIVIDUAL (100 CABLES) バラ状(100本)	JN1-22-208-R-PK0100	SJ035503	PRESS プレス	#20~#21	MANUAL 手動	CT150-2-JN1-D	#20, #21, #25	T700253
		JN1-22-228-PK0100			#21~#25		CT150-2-JN1-E	#21, #23, #25	
		JN1-22-268-PK0100			#26~#28		CT150-2-JN1-B	#22, #24, #26, #28	
	REELS (10000 CABLES) リール状(10000本)	JN1-22-208-R-10000	SJ035504	PRESS プレス	#20	SEMI-AUTOMATIC 半自動	350-JN1-20 OR 350-D02-2(NOTES)	#20~#28	T703294 T703082
		JN1-22-228-10000			#21~#25				
		JN1-22-268-10000			#26~#28				

TABLE-2【APPLICABLE WIRE DIM.】

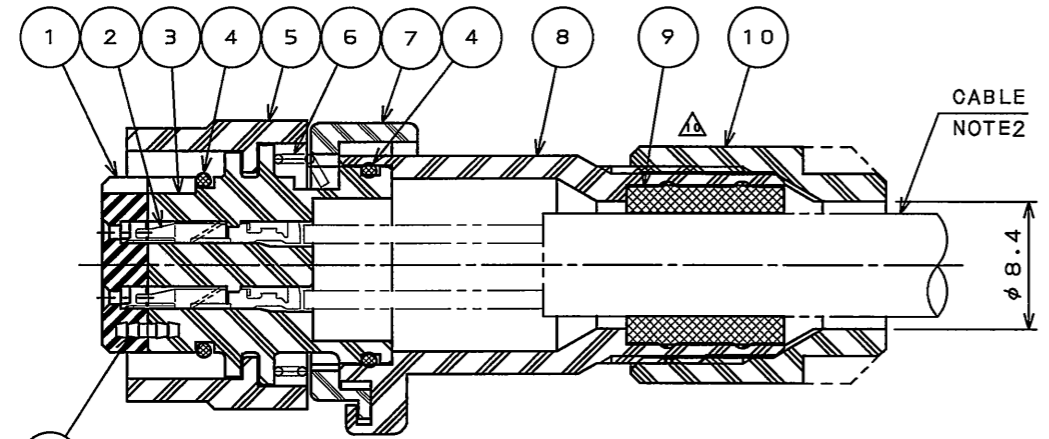
PART NUMBER 品名	APPLICABLE WIRE DIM. 適用ケーブル径	BUSHING COLOR ブッシングの色相
JN1DS10SL 1	φ5.7~7.3	BLACK
JN1DS10SL 2	φ6.5~8.0	GRAY
JN1DS10SL 3	φ3.5~5.0	BRICK

SPECIFICATION

NUMBER OF CONTACT	: 10X#22
RATED VOLTAGE	: 200VAC MAX
RATED CURRENT	: 3A MAX. per CONTACT
DIELECTRIC WITHSTANDING VOLTAGE	: 900VAC
INSULATION RESISTANCE	: 1000MΩMIN. (AT 500VDC)
APPLICABLE CABLE	: SEE NOTE2
SUBMERSIBLE PROPERTY	: IP67 (MATED)

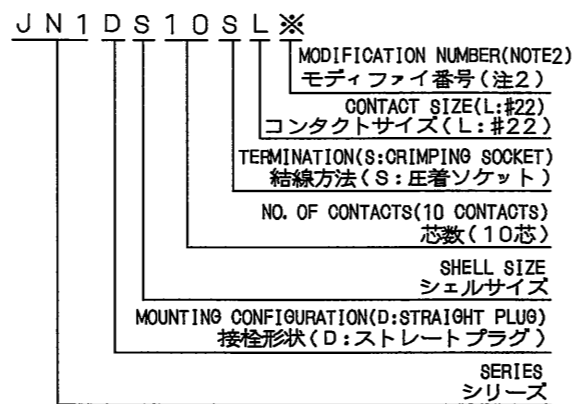
仕様

CONTACT	: #22コネクタ 10本
定格電圧	: 200VAC以下
定格電流	: 3A以下/1芯
耐電圧	: 900VAC
絶縁抵抗	: 1000MΩ以上(500VDCにて)
適用ケーブル	: 注2
防水性能	: IP67(接合時)



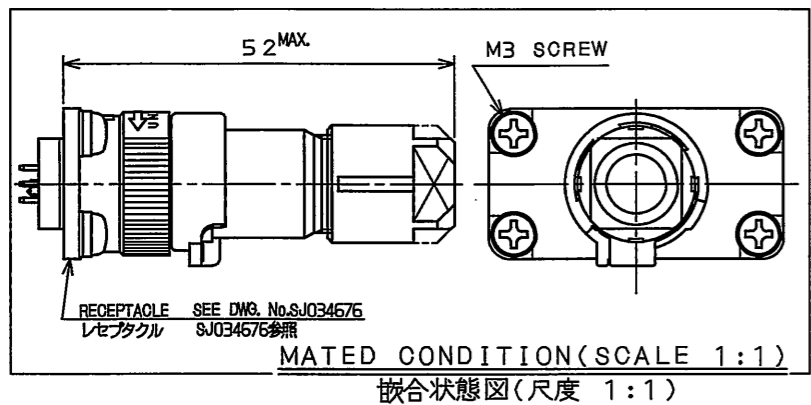
SECT. A-A

DESIGNATION  
命名法



11	PIN	2	COPPER ALLOY	NICKEL PLATING	
10	GLAND NUT	1	SYNTHETIC RESIN		COLOR:BLACK
9	BUSHING	1	SYNTHETIC RUBBER		NOTE2
8	STRAIGHT ENDBELL	1	SYNTHETIC RESIN		COLOR:BLACK
7	ASSEMBLY NUT	1	SYNTHETIC RESIN		COLOR:BLACK
6	SPRING	1	STAINLESS STEEL		
5	COUPLING NUT	1	SYNTHETIC RESIN		COLOR:BLACK
4	O RING	2	SYNTHETIC RUBBER		COLOR:BLACK
3	REAR INSULATOR	1	SYNTHETIC RESIN		COLOR:BLACK
2	SOCKET CONTACT	10	COPPER ALLOY	GOLD PLATING(0.1μmMIN)	SOLD SEPARATELY(NOTE1)
1	FRONT INSULATOR	1	SYNTHETIC RESIN		COLOR:BLACK

符号 NO.	名称 DESCRIPTION	個数 QTY.	材料 MATERIAL	仕上 FINISH	備考 REMARKS
仕様書(SPECIFICATION)	JACS-5111	第1版(ORIGINAL DATE)	10.Aug.2000	尺度(SCALE)	2:1
	J AHL-5111	シリーズ(SERIES)	JN1	名称(TITLE)	JN1DS10SL※
一般差(GENERAL TOLERANCE)		製図 DR.	J. ICHIYAMA		(STRAIGHT PLUG) (ストレートプラグ)
寸法(DIMENSION)	角度(ANGLES)	担当 CHK.	E.MATSUMOTO T.SHIMOYAMA		
. ±0.8	×° ±	査閲 APPD.	S.NANA0		
.X ±0.4	×°×' ±	承認 APPD.	M.MAJIME		
.XX ±0.1		質量(MASS)	7.7g		
.XXX ±					



DOF-0-212F(05.08)

