



Chipsmall Limited consists of a professional team with an average of over 10 year of expertise in the distribution of electronic components. Based in Hongkong, we have already established firm and mutual-benefit business relationships with customers from,Europe,America and south Asia,supplying obsolete and hard-to-find components to meet their specific needs.

With the principle of "Quality Parts,Customers Priority,Honest Operation,and Considerate Service",our business mainly focus on the distribution of electronic components. Line cards we deal with include Microchip,ALPS,ROHM,Xilinx,Pulse,ON,Everlight and Freescale. Main products comprise IC,Modules,Potentiometer,IC Socket,Relay,Connector.Our parts cover such applications as commercial,industrial, and automotives areas.

We are looking forward to setting up business relationship with you and hope to provide you with the best service and solution. Let us make a better world for our industry!



Contact us

Tel: +86-755-8981 8866 Fax: +86-755-8427 6832

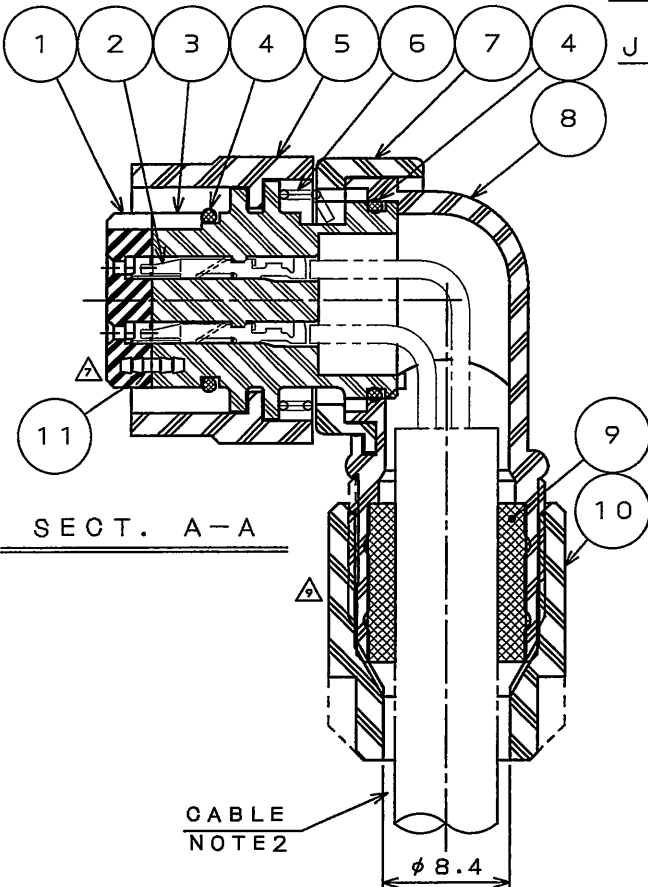
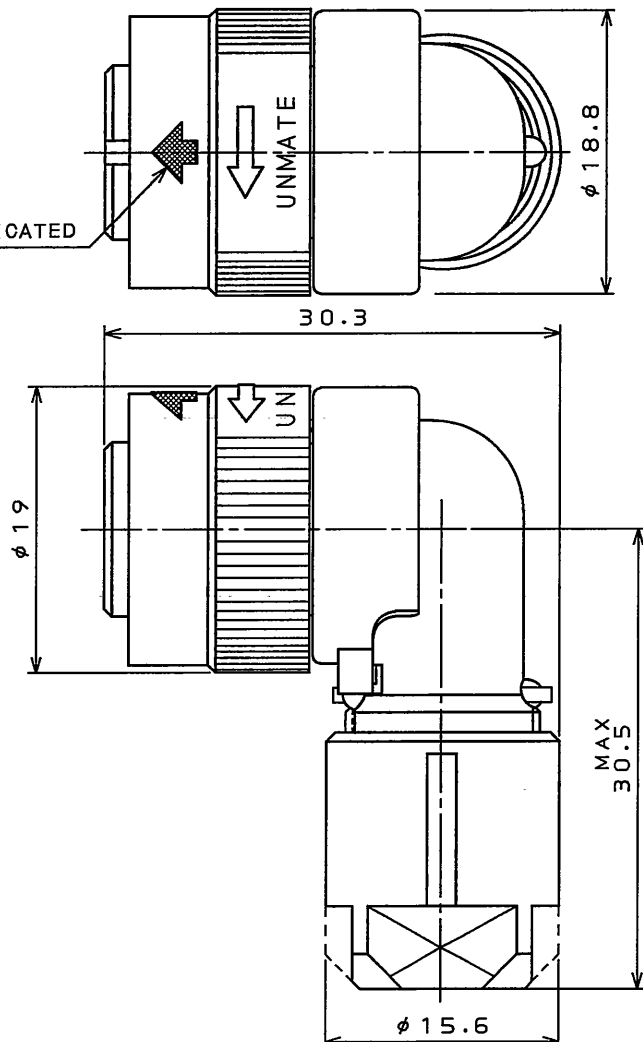
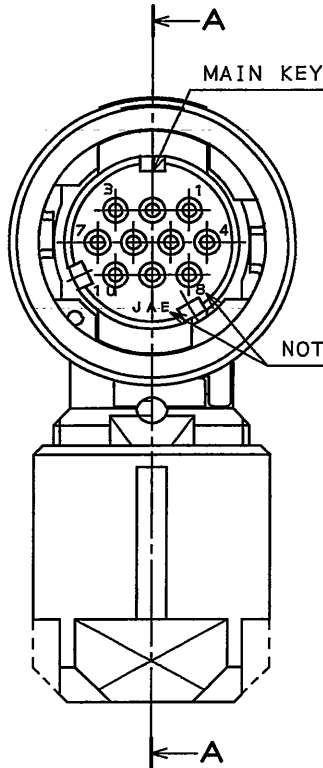
Email & Skype: info@chipsmall.com Web: www.chipsmall.com

Address: A1208, Overseas Decoration Building, #122 Zhenhua RD., Futian, Shenzhen, China



SJ034678
(ON DRAWING) 台番図

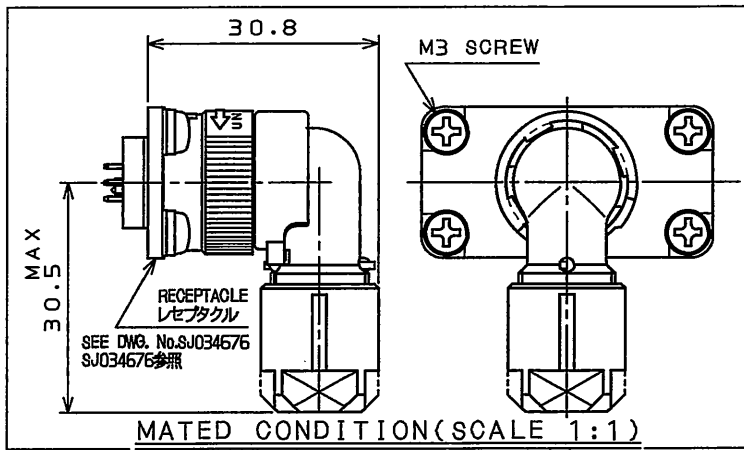
△ WHITE MARKING AS INDICATED
白マーキング表示



DESIGNATION

命名法
JN1FS10SL※

- MODIFICATION NUMBER (NOTE2) / モディファイ番号 (注2)
- CONTACT SIZE (L:#22) / コンタクトサイズ (L:#22)
- TERMINATION (S:CRIMPING SOCKET) / 結線方法 (S:圧着ソケット)
- NO. OF CONTACTS (10 CONTACTS) / 芯数 (10芯)
- SHELL SIZE / シェルサイズ
- MOUNTING CONFIGURATION (F:ANGLE PLUG) / 接栓形状 (F:アングルプラグ)
- SERIES / シリーズ



| 版数 REV. | 年月日 DATE | DCN NO. | 変更内容 DESCRIPTION | 製図 DR. | 担当 CHK. | 査閲 APPD. | 承認 APPD. |
|---------|-------------|---------|------------------------------|--------|-------------|-------------|-------------|
| 5 | 6.Nov.2002 | 50922 | REVISED TABLE-1 AND REDRAWN. | | T.SUZUKI | E.MATSUMOTO | S.NANAO |
| 6 | 23.Apr.2004 | 054908 | ADDED NOTE | M.ABE | E.MATSUMOTO | | S.NANAO |
| 7 | 13.Jan.2006 | 059125 | REVISED FORM | | N.SASANO | E.MATSUMOTO | A.ONOGAWA |
| 8 | 10.Mar.2006 | 059590 | REVISED APPLICABLE CONTACTS. | | N.SASANO | E.MATSUMOTO | A.ONOGAWA |
| 9 | 15.Oct.2009 | 067605 | REVISED FORM | | H.NAKAJIMA | TOKAMURA | E.Matsumoto |

- NOTE1. CONTACTS ARE SOLD SEPARATELY. THE APPLICABLE CONTACTS ARE LISTED IN THE TABLE-1.
 2. THE APPLICABLE CABLE IS SPECIFIED IN THE PART NUMBER.
 PART NUMBER, THE APPLICABLE CABLE DIAMETER AND THE COLOR OF BUSHING ARE LISTED IN THE TABLE-2.
 3. CONTACT POSITION NUMBER & COMPANY LOGO "JAE" ARE MARKED AS INDICATED.
 4. CONFIRM THE HANDING MANUAL FOR THE DETAILS OF WIRE SPECIFICATION.
 5. JIG ADJUSTMENT IS REQUIRED WHEN USING 350-D02-2.
 注1. コンタクトは別売り品であり、適用コンタクトは表-1による。
 2. 本製品は、品名により適用ケーブル(ブッシング)部品が異なる。品名、適用ケーブル径及び色相は表-2による。
 3. 図示の位置に端子番号及び社名を表示する。
 4. 電線仕様詳細は、取扱説明書を確認してください。
 5. 350-D02-2を使用する場合は、治具の調整が必要となります。

△ TABLE-1 【APPLICABLE GRIMP CONTACT】

| CONTACT SIZE コンタクトサイズ | PIECE 区分 | 適用コンタクト品名 | | TYPE タイプ | APPLICABLE WIRE (NOTE4) 適用電線(注4) | | TYPE 工具種別 | APPLICABLE TOOL AND APPLICABLE WIRE 適用工具と適用電線 | | TOOL HANDLING MANUAL 工具取扱説明書 |
|--------------------------|---|-----------------------------|-------------------|--------------|-------------------------------------|-----------------------|------------------|--|------------------|---------------------------------|
| | | SOCKET CONTACT ソケットコンタクト | DWG No. 製品区分番号 | | AWG No. | | | | | |
| #22 | INDIVIDUAL (100 CABLES) バラ状(100本) | JN1-22-208-R-PK0100 | SJ035503 | PRESS プレス | #20 | MANUAL 手動 | | CT150-2-JN1-E | #21, #23, #25 | T700253 |
| | | JN1-22-228-PK0100 | | | #21~#25 | | | CT150-2-JN1-D | #20, #25 | |
| | REELS (10000 CABLES) リール状(10000本) | JN1-22-268-PK0100 | SJ035504 | PRESS プレス | #26~#28 | SEMI-AUTOMATIC 半自動 | △ | CT150-2-JN1-B | #22~#24, #26~#28 | T700238 |
| | | JN1-22-208-R-10000 | | | #20 | | | 350-JN1-20 | #20~#28 | T703294 |
| | JN1-22-228-10000 | | | #21~#25 | | OR | | | | |
| | JN1-22-268-10000 | | | #26~#28 | | | 350-D02-2(NOTE5) | | | T703082 |

TABLE-2 【APPLICABLE WIRE DIM.】

| PART NUMBER 品名 | APPLICABLE WIRE DIM. 適用ケーブル径 | BUSHING COLOR ブッシングの色相 |
|-------------------|---------------------------------|---------------------------|
| JN1FS10SL1 | φ5.7~7.3 | BLACK |
| JN1FS10SL2 | φ6.5~8.0 | GRAY |

SPECIFICATION

- NUMBER OF CONTACT : 10×#22
- RATED VOLTAGE : 200VAC MAX
- RATED CURRENT : 3A MAX. per CONTACT
- DIELECTRIC WITHSTANDING VOLTAGE : 900VAC
- INSULATION RESISTANCE : 1000MΩMIN. (AT 500VDC)
- APPLICABLE CABLE : SEE NOTE2
- SUBMERSIBLE PROPERTY : IP67 (MATED)

仕様

- コンタクト : #22コンタクト 10本
- 定格電圧 : 200VAC以下
- 定格電流 : 3A以下/1芯
- 耐電圧 : 900VAC
- 絶縁抵抗 : 1000MΩ以上(500VDCにて)
- 適用ケーブル : 注2
- 防水性能 : IP67(嵌合時)

| 11 | PIN | 2 | COPPER ALLOY | NICKEL PLATING | |
|----|-----------------|----|------------------|------------------------|------------------------|
| 10 | GLAND NUT | 1 | SYNTHETIC RESIN | | COLOR:BLACK |
| 9 | BUSHING | 1 | SYNTHETIC RUBBER | | NOTE2 |
| 8 | ANGLE ENDBELL | 1 | SYNTHETIC RESIN | | COLOR:BLACK |
| 7 | ASSEMBLY NUT | 1 | SYNTHETIC RESIN | | COLOR:BLACK |
| 6 | SPRING | 1 | STAINLESS STEEL | | |
| 5 | COUPLING NUT | 1 | SYNTHETIC RESIN | | COLOR:BLACK |
| 4 | °0° RING | 2 | SYNTHETIC RUBBER | | COLOR:BLACK |
| 3 | REAR INSULATOR | 1 | SYNTHETIC RESIN | | COLOR:BLACK |
| 2 | SOCKET CONTACT | 10 | COPPER ALLOY | GOLD PLATING(0.1μmMIN) | SOLD SEPARATELY(NOTE1) |
| 1 | FRONT INSULATOR | 1 | SYNTHETIC RESIN | | COLOR:BLACK |

| | | | | |
|--|-----------------------------------|---|----------------------|---|
| 仕様書 (SPECIFICATION) JAGS-5111 JABL-5111 | 第1版 (ORIGINAL DATE) 7.Jul.2000 | 尺度 (SCALE) 2:1 | シリーズ (SERIES) JN1 | 日本航空電子工業株式会社 JAPAN AVIATION ELECTRONICS INDUSTRY, LTD. |
| 製造 DR. | 製図 DR. | 名称 (TITLE) JN1FS10SL※ (ANGLE PLUG) (アングルプラグ) | | |
| 公差 (GENERAL TOLERANCE) 寸法 (DIMENSION) 角度 (ANGLES) | 担当 CHK. 査閲 APPD. 承認 APPD. | 質量 (MASS) 7.7g | | |
| 図面番号 (DRAWING NO.) SJ034678 | 承認 APPD. M.MAJIME | 版数 (REV.) 9 | | |