



Chipsmall Limited consists of a professional team with an average of over 10 year of expertise in the distribution of electronic components. Based in Hongkong, we have already established firm and mutual-benefit business relationships with customers from,Europe,America and south Asia,supplying obsolete and hard-to-find components to meet their specific needs.

With the principle of “Quality Parts,Customers Priority,Honest Operation,and Considerate Service”,our business mainly focus on the distribution of electronic components. Line cards we deal with include Microchip,ALPS,ROHM,Xilinx,Pulse,ON,Everlight and Freescale. Main products comprise IC,Modules,Potentiometer,IC Socket,Relay,Connector.Our parts cover such applications as commercial,industrial, and automotives areas.

We are looking forward to setting up business relationship with you and hope to provide you with the best service and solution. Let us make a better world for our industry!



Contact us

Tel: +86-755-8981 8866 Fax: +86-755-8427 6832

Email & Skype: info@chipsmall.com Web: www.chipsmall.com

Address: A1208, Overseas Decoration Building, #122 Zhenhua RD., Futian, Shenzhen, China

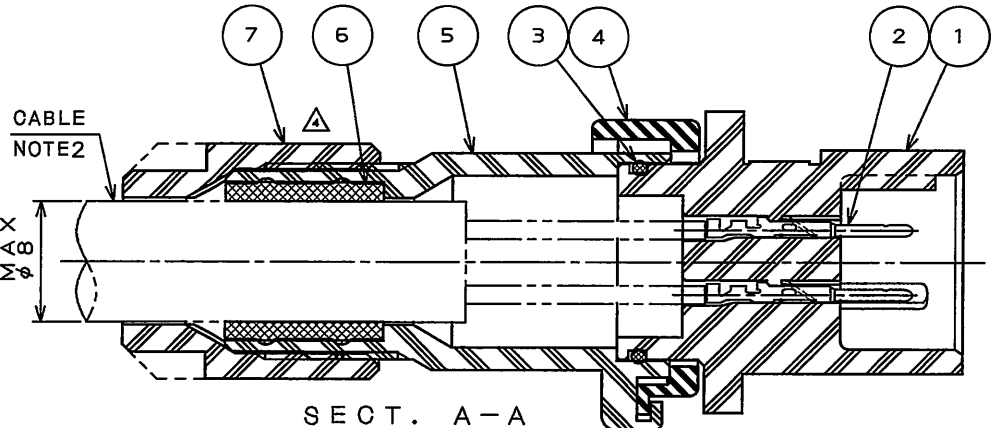
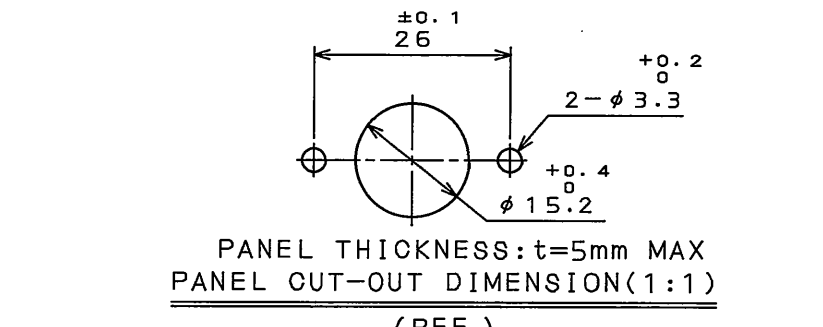
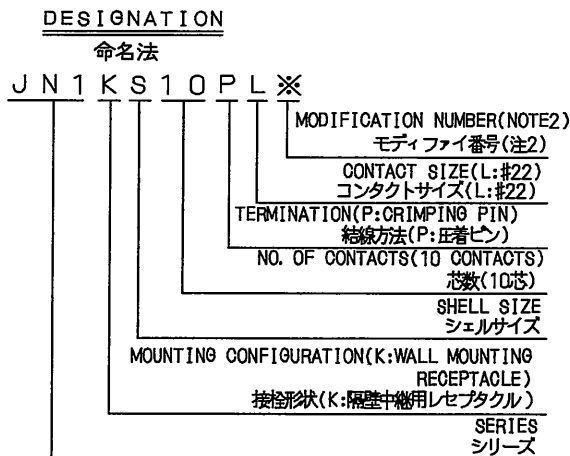
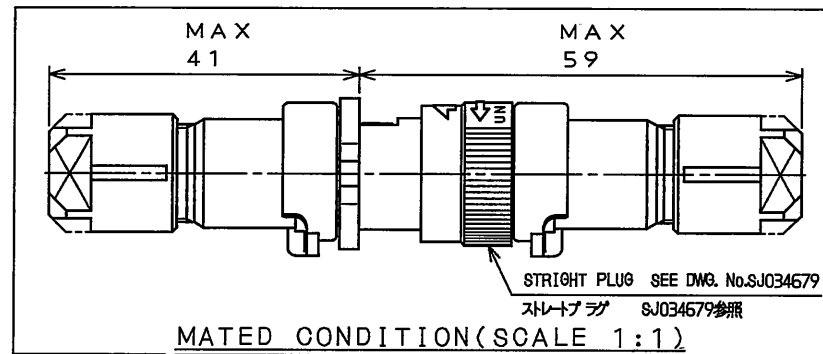
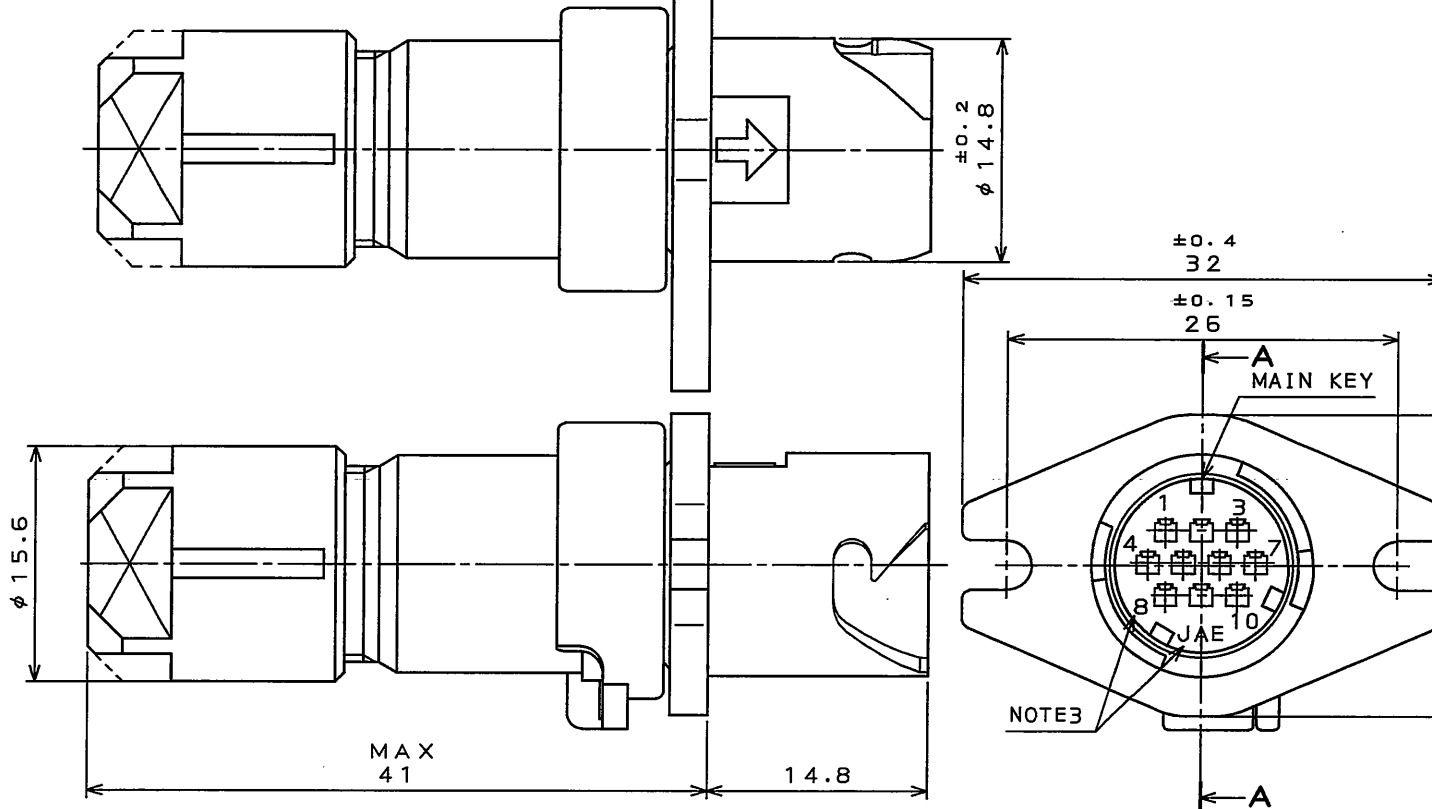


476Z7294
(ON DRAWING NO.)

REV.	DATE	DCN NO.	DESCRIPTION	DR.	CHK.	APPD.	APPD.
2	6.Nov.2002	50922	REVISED TABLE-1.		T.SUZUKI	E.MATSUMOTO	S.NANAO
3	10.Mar.2006	059590	REVISED APPLICABLE CONTACTS.		N.SASANO	E.MATSUMOTO	A.ONOAWA
4	15.Oct.2009	067605	REVISED FORM		H.NAKAJIMA	T.OKAWARA	E.MATSUMOTO

TABLE-1【APPLICABLE CRIMP CONTACT】

CONTACT SIZE コンタクトサイズ	PIECE 区分	PART NO. OF APPLICABLE CONTACTS 適用コンタクト品名		TYPE タイプ	APPLICABLE WIRE (NOTE4) 適用電線(注4)	TYPE 工具種別	APPLICABLE TOOL AND APPLICABLE WIRE 適用工具と適用電線		TOOL HANDLING MANUAL 工具取扱説明書
		PIN CONTACT ピンコンタクト	DWG No. 製品図番番号				AWG No.	適用工具と適用電線	
#22	INDIVIDUAL (100 CABLES) バラ状(100本)	JN1-22-20P-R-PK0100	SJ037430	PRESS プレス	#20	MANUAL 手動	CT150-2-JN1-E	#21, #23, #25	T700253
		JN1-22-22P-PK0100			#21~#25		CT150-2-JN1-D	#20, #25	
	REELS (10000 CABLES) リール状(10000本)	JN1-22-26P-PK0100	SJ037431	PRESS プレス	#25~#28	SEMI-AUTOMATIC 半自動	CT150-2-JN1-B	#22~#24, #26~#28	T700238
		JN1-22-20P-R-10000			#20		350-JN1-2	#20~#28	T703269
	JN1-22-22P-10000			#21~#25		350-D02-2(NOTES)			T703082
	JN1-22-26P-10000			#26~#28					



NO.	DESCRIPTION	QTY.	MATERIAL	FINISH	REMARKS
7	GRUND NUT	1	SYNTHETIC RESIN		COLOR:BLACK
6	BUSHING	1	SYNTHETIC RUBBER		NOTE2
5	STRAIGHT ENDBELL	1	SYNTHETIC RESIN		COLOR:BLACK
4	ASSEMBLY NUT	1	SYNTHETIC RESIN		COLOR:BLACK
3	O RING	1	SYNTHETIC RUBBER		
2	#22 PIN CONTACT	10	COPPER ALLOY	GOLD PLATING(0.1μmMIN)	SOLD SEPARATELY(NOTE1)
1	INSULATOR	1	SYNTHETIC RESIN		COLOR:BLACK

仕様書 (SPECIFICATION) JA08-5111 (Product specifications) JAHL-5111 (A product instruction manual)	第1版 (ORIGINAL DATE) 22.Oct.2002	尺度 (SCALE) 2:1	シリーズ (SERIES) JN1	日本航空電子工業株式会社 JAPAN AVIATION ELECTRONICS INDUSTRY, LTD.
公差 (GENERAL TOLERANCE)	製図 DR.	名称 (TITLE) JN1KS10PL※ (WALL MOUNTING RECEPTACLE) (隔壁中継用レセプタクル)	図面番号 (DRAWING NO.) SJ037294	
寸法 (DIMENSION)	担当 CHK. E.MATSUMOTO	承認 APPD. S.NANAO	質量 (MASS)	版数 (REV.) 4

NOTE1. CONTACTS ARE SOLD SEPARATELY. THE APPLICABLE CONTACTS ARE LISTED IN THE TABLE-1.
 2. THE APPLICABLE CABLE IS SPECIFIED IN THE PART NUMBER.
 PART NUMBER, THE APPLICABLE CABLE DIAMETER AND THE COLOR OF BUSHING ARE LISTED IN THE TABLE-2.
 3. CONTACT POSITION NUMBER & COMPANY LOGO "JAE" ARE MARKED AS INDICATED.
 4. CONFIRM THE HANDING MANUAL FOR THE DETAILS OF WIRE SPECIFICATION IN THE TABLE-1.
 5. JIG ADJUSTMENT IS REQUIRED WHEN USING 350-D02-2.
 注1. コンタクトは別売り品であり、適用コンタクトは表-1による。
 2. 本製品は品名により適用ケーブル(ブッシング)が異なる。品名、適用ケーブル径及び色相は表-2による。
 3. 図示の位置に端子番号及び社名を表示する。
 4. 電線仕様詳細は、表-1の工具取扱説明書を確認してください。
 5. 350-D02-2を使用する場合は、治具の調整が必要となります。

TABLE-2【APPLICABLE WIRE DIM.】			仕様	
PART NUMBER 品名	APPLICABLE WIRE DIM. 適用ケーブル径	BUSHING COLOR ブッシングの色相	コンタクト	数量
JN1KS10PL1	φ57-73	BLACK	#22コンタクト	10本
JN1KS10PL2	φ65-80	GRAY	定格電圧 : 200VAC以下 定格電流 : 3A以下/1芯 耐電圧 : 900VAC 絶縁抵抗 : 1000MΩ以上(500VDCにて) 適用ケーブル : 注2 防水性能 : IP67(嵌合時)	

SPECIFICATION	
NUMBER OF CONTACT	: 10X#22
RATED VOLTAGE	: 200VAC MAX
RATED CURRENT	: 3A MAX. per CONTACT
DIELECTRIC WITHSTANDING VOLTAGE	: 900VAC
INSULATION RESISTANCE	: 1000MΩMIN (AT 500VDC)
APPLICABLE CABLE	: SEE NOTE2
SUBMERSIBLE PROPERTY	: IP67 (MATED)

DOF-0-212F(05.08)