



Chipsmall Limited consists of a professional team with an average of over 10 year of expertise in the distribution of electronic components. Based in Hongkong, we have already established firm and mutual-benefit business relationships with customers from,Europe,America and south Asia,supplying obsolete and hard-to-find components to meet their specific needs.

With the principle of "Quality Parts,Customers Priority,Honest Operation,and Considerate Service",our business mainly focus on the distribution of electronic components. Line cards we deal with include Microchip,ALPS,ROHM,Xilinx,Pulse,ON,Everlight and Freescale. Main products comprise IC,Modules,Potentiometer,IC Socket,Relay,Connector.Our parts cover such applications as commercial,industrial, and automotives areas.

We are looking forward to setting up business relationship with you and hope to provide you with the best service and solution. Let us make a better world for our industry!



## Contact us

Tel: +86-755-8981 8866 Fax: +86-755-8427 6832

Email & Skype: info@chipsmall.com Web: www.chipsmall.com

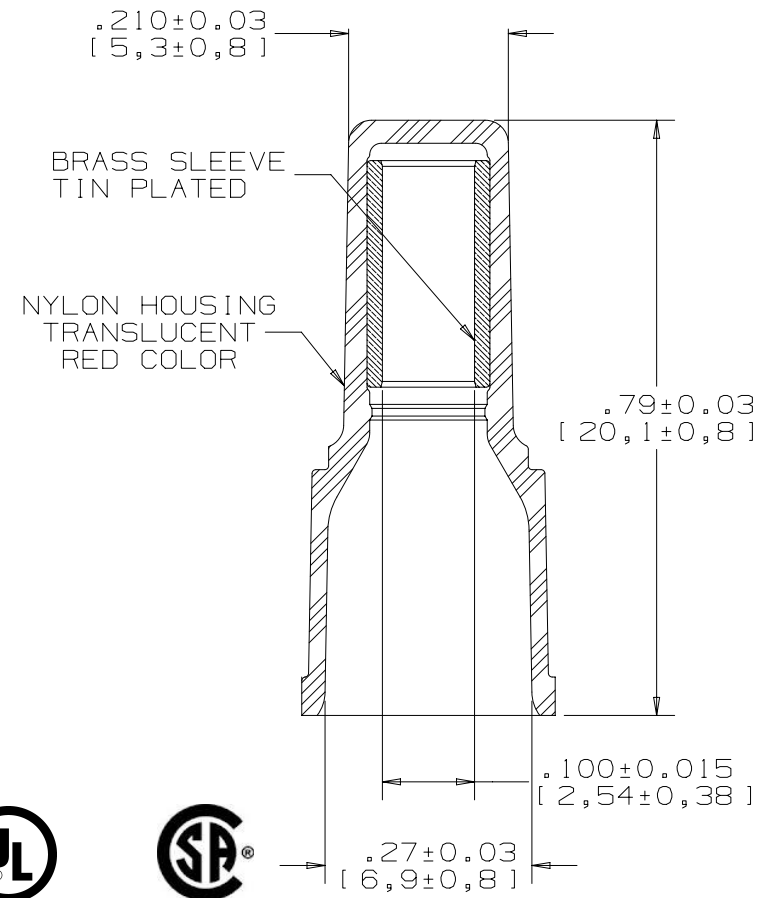
Address: A1208, Overseas Decoration Building, #122 Zhenhua RD., Futian, Shenzhen, China



THIS COPY IS PROVIDED ON A RESTRICTED BASIS AND IS NOT TO BE USED IN ANY WAY DETRIMENTAL TO THE INTERESTS OF PANDUIT CORP.

WIRE SIZE	NUMBER OF WIRES	NUMBER OF ADDITIONAL WIRES OF ONE SIZE					
		#24	#22	#20	#18	#16	#14
#24 AWG	1	1-10	1-6	1-4	1 OR 2	1	1
	2	1-9	1-5	1-3	1 OR 2	1	1
	3	1-8	1-4	1 OR 2	1 OR 2	1	0
	4	1-7	1-4	1 OR 2	1	1	0
	5	1-6	1-3	1	1	0	0
	6	1-5	1-3	1	0	0	0
	7	1-4	1 OR 2	0	0	0	0
#22 AWG	1	1-10	1-5	1-4	1 OR 2	1	1
	2	1-8	1-4	1-3	1 OR 2	1	0
	3	1-6	1-3	1 OR 2	1	1	0
	4	1-4	1 OR 2	1	1	0	0
	5	1 OR 2	1	1	0	0	0
#20 AWG	1	1-6	1-4	1-4	1 OR 2	1	1
	2	1-4	1-3	1-3	1 OR 2	1	0
	3	1 OR 2	1 OR 2	1 OR 2	1	0	0
	4	1	1	1	0	0	0
#18 AWG	1	1-5	1-4	1-3	1 OR 2	1	0
	2	1-3	1 OR 2	1 OR 2	1	0	0
#16 AWG	1	1-4	1-3	1 OR 2	1	1	0
#14 AWG	1	1 OR 2	1	1	0	0	0

- USED FOR:
  - FOR SOLID OR STRANDED COPPER WIRE
  - 600V MAX BUILDING WIRE, (1000V. MAX IN SIGNS, FIXTURES, AND LUMINAIRES)
  - 221°F (105°C) MAX TEMP RATING
  - SEE CHART FOR WIRE COMBINATIONS
  - WIRE COMBINATIONS USING #24 AWG WIRE ARE NOT UL LISTED OR CSA CERTIFIED
- SEE [www.panduit.com](http://www.panduit.com) FOR PART NUMBER SUFFIX DESIGNATION FOR PACKAGE SIZE.
- DIMENSIONS IN BRACKETS ARE METRIC EQUIVALENT
- INSTALLATION TOOLS:
  - UL LISTED AND CSA CERTIFIED: CT-500, CT-1550, CT-1551, CT-2400, CT-2500 (CT-2550CH), CT-600-A (CT-500CH)
  - PANDUIT APPROVED: CT-100A, CT-160, CT-250, CT-260, CT-400, CT-550



TITLE		NYLON INSULATED WIRE JOINT JN224-318	
ITEM REVISION NAME		CUSTOMER DRAWING	
DATASET FILE NAME		N41341BA/06	
UNLESS OTHERWISE SPECIFIED, DIMENSIONAL TOLERANCES ARE: IN (mm)		MATERIAL:	
.x ± .1 [2.54]      .xxx ± .005 [.127]		SEE NOTES	
.xx ± .01 [.25]      ANGLES ± 5°		DRAWING NUMBER:	
THIRD ANGLE PROJECTION		A41341	
DRAWN BY	DATE	CHK	SCALE
TSM		TRS	NONE
SHT 1 OF 1		A	

REV	DATE	BY	CHK	APR	DESCRIPTION	ECN
06	6/15	TMR	TMR	RGB	ADD TOL DIMS, REMOVE SLEEVE THK, REVISED UL TOOL INFO	N41341BA-DC
05	8/11	SHOR			MODIFIED NOTE #2	

D10100DA/16