



Chipsmall Limited consists of a professional team with an average of over 10 year of expertise in the distribution of electronic components. Based in Hongkong, we have already established firm and mutual-benefit business relationships with customers from,Europe,America and south Asia,supplying obsolete and hard-to-find components to meet their specific needs.

With the principle of “Quality Parts,Customers Priority,Honest Operation,and Considerate Service”,our business mainly focus on the distribution of electronic components. Line cards we deal with include Microchip,ALPS,ROHM,Xilinx,Pulse,ON,Everlight and Freescale. Main products comprise IC,Modules,Potentiometer,IC Socket,Relay,Connector.Our parts cover such applications as commercial,industrial, and automotives areas.

We are looking forward to setting up business relationship with you and hope to provide you with the best service and solution. Let us make a better world for our industry!



Contact us

Tel: +86-755-8981 8866 Fax: +86-755-8427 6832

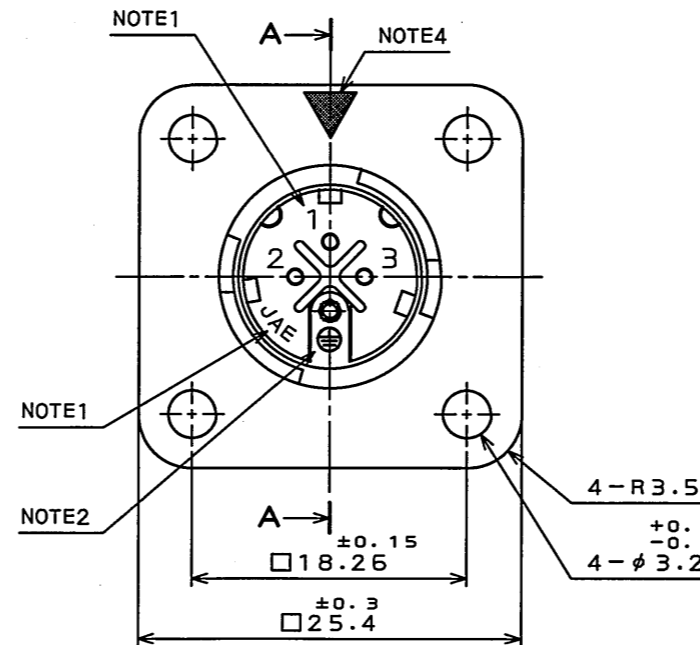
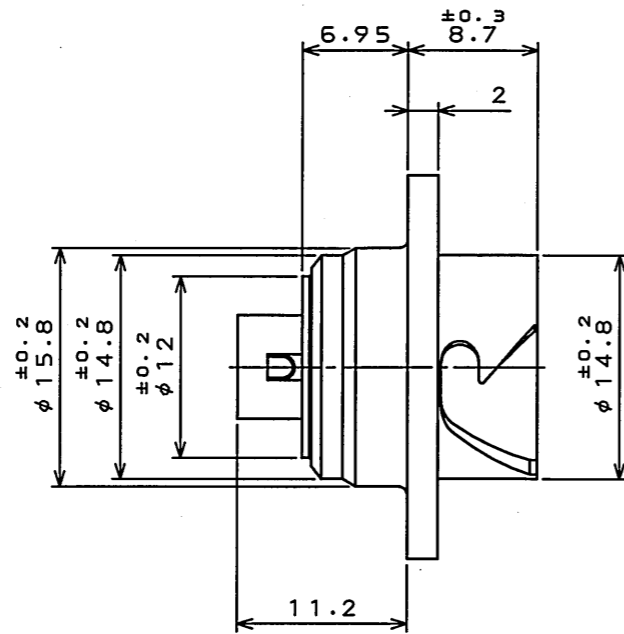
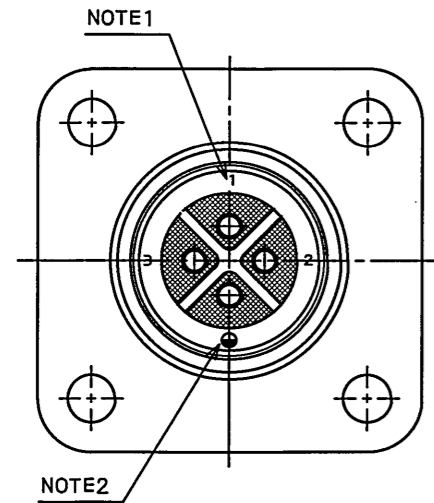
Email & Skype: info@chipsmall.com Web: www.chipsmall.com

Address: A1208, Overseas Decoration Building, #122 Zhenhua RD., Futian, Shenzhen, China

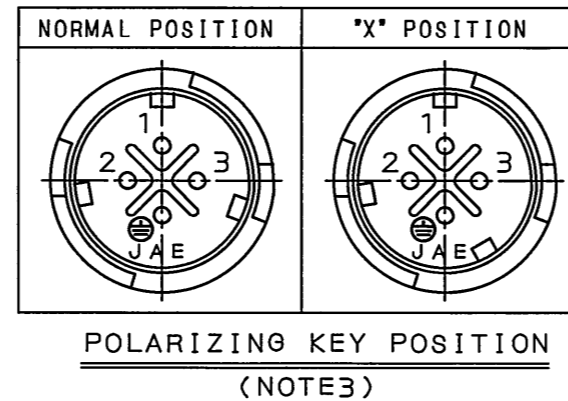
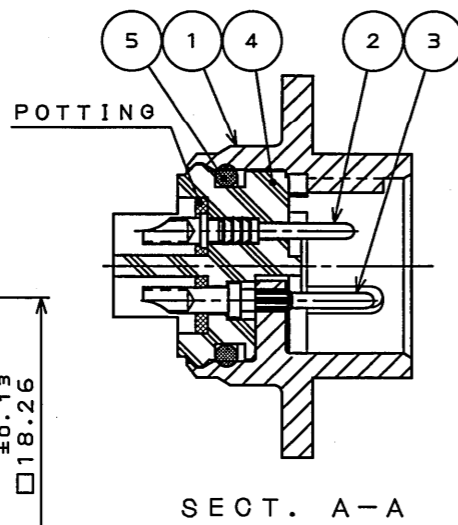
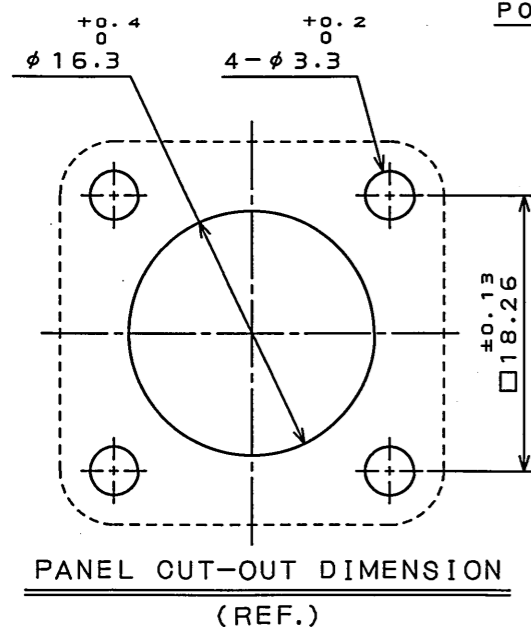
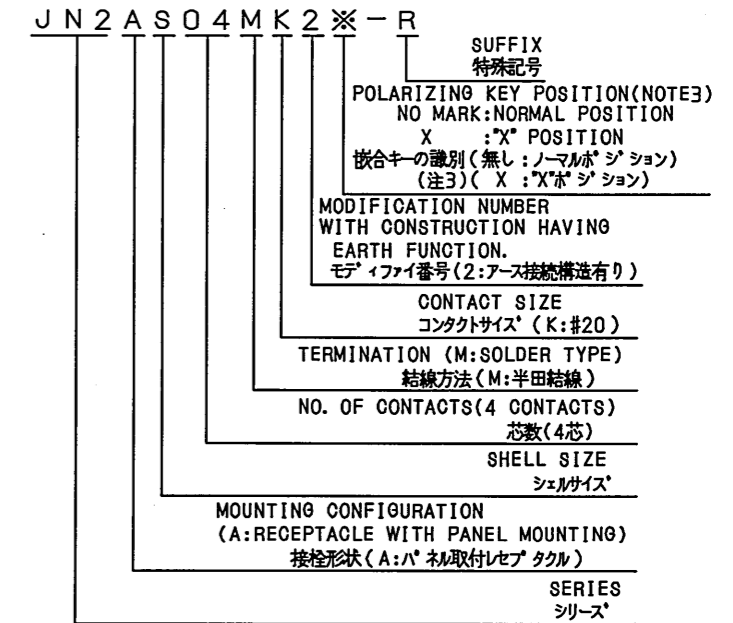


0ESS01RS
(ON DRAWING)台座図

版数 REV.	年月日 DATE	DCN NO.	変更内容 DESCRIPTION	製図 DR.	担当 CHK.	査閲 APPD.	承認 APPD.
2	15.Nov.2007	064235	ADDED SPECIAL CONTROL ITEM	T.TAKESHITA	T.SUZUKI		E.MATSUMOTO
3	16.Jul.2009	068279	CHANGED RATED VOLTAGE		H.NAKAJIMA	T.OKAMURA	E.Matsumoto



DESIGNATION
命名法



- NOTE1. CONTACT POSITION NUMBER & COMPANY LOGO "JAE" ARE MARKED AS INDICATED.
 2. EARTH MARK (⊕) IS MARKED AS INDICATED.
 3. THE LOCATION OF KEY IS DIFFERENT BETWEEN NORMAL POSITION AND "X" POSITION TO PREVENT MISMATING.
 PART NUMBER OF "X" POSITION CONNECTOR HAS THE SUFFIX "X" FOR THE POLARIZATION.
 4. A TRIANGULAR MARK (WHITE MARKING) SHOWS THE ENGAGEMENT SIGN.
- 注1. 図示の位置に端子番号及び社名を表示する。
 2. 図示の位置にアースマーク(⊕)を表示する。
 3. ノーマルポジションと"X"ポジションはキーの位置が異なり、誤嵌合を防止する。
 "X"ポジションは誤嵌合防止として、品名の末尾に"X"が付く。
 4. 三角マーク(白マーキング)は嵌合目印を示す。

特別管理品目
SPECIAL CONTROL ITEM
TUV

符号 NO.	名称 DESCRIPTION	個数 QTY.	材料 MATERIAL	仕上 FINISH	備考 REMARKS
5	"O" RING	1	SYNTHETIC RUBBER		
4	INSULATOR	1	SYNTHETIC RESIN		COLOR: BLACK
3	EARTH CONTACT	1	COPPER ALLOY	SILVER PLATING	
2	PIN CONTACT	3	COPPER ALLOY	SILVER PLATING	
1	SHELL	1	ZINC ALLOY	ZINC PLATING	COLOR: BLACK SYSTEM INTERFERENCE COLOR

SPECIFICATION

NUMBER OF CONTACTS	: 4×#20
RATED VOLTAGE	: 400VAC
RATED CURRENT	: 5A MAX.
DIELECTRIC WITHSTANDING VOLTAGE	: 2000VAC
INSULATION RESISTANCE	: 1000MΩ MIN. (AT 500VDC)
APPLICABLE CABLE	: 0.75mm MAX
AIR LEAKAGE	: NO LEAKAGE OF AIR AT 2.9×10 ⁴ Pa APPLIED TO MATING SIDE FOR 1 MIN

仕様

コンタクト	: #20コンタクト 4本
定格電圧	: 400VAC (汚染度: 2 / 過電圧範疇: III)
定格電流	: 5A以下/1芯
耐電圧	: 2000VAC
絶縁抵抗	: 1000MΩ以上 (500VDCにて)
適合ケーブル	: 0.75mm以下
気密性	: 2.9×10 ⁴ Pa の圧力にて漏れなきこと (1分間、嵌合部より)

仕様書 (SPECIFICATION) JACS-5119-2 (Product specifications) JAHL-5119 (A product instruction manual)	第1版 (ORIGINAL DATE) 16.Dec.2005	尺度 (SCALE) 2:1	シリーズ (SERIES) JN2	日本航空電子工業株式会社 JAPAN AVIATION ELECTRONICS INDUSTRY, LTD.
製図 DR. H.SAKURADA	担当 CHK. M.NITTA	名称 (TITLE) JN2ASO4MK2※-R		ELECTRONICS INDUSTRY, LTD.
査閲 APPD. E.MATSUMOTO	承認 APPD. A.ONOGAWA	RECEPTACLE (レセプタクル)		
寸法 (DIMENSION) ±0.8 × ±0.4 ×× ±0.1 ××× ±		質量 (MASS)		
角度 (ANGLES) ×° ± ×°× ±		図面番号 (DRAWING NO.) SJ105530		版数 (REV.) 3