



Chipsmall Limited consists of a professional team with an average of over 10 year of expertise in the distribution of electronic components. Based in Hongkong, we have already established firm and mutual-benefit business relationships with customers from,Europe,America and south Asia,supplying obsolete and hard-to-find components to meet their specific needs.

With the principle of "Quality Parts,Customers Priority,Honest Operation,and Considerate Service",our business mainly focus on the distribution of electronic components. Line cards we deal with include Microchip,ALPS,ROHM,Xilinx,Pulse,ON,Everlight and Freescale. Main products comprise IC,Modules,Potentiometer,IC Socket,Relay,Connector.Our parts cover such applications as commercial,industrial, and automotives areas.

We are looking forward to setting up business relationship with you and hope to provide you with the best service and solution. Let us make a better world for our industry!



Contact us

Tel: +86-755-8981 8866 Fax: +86-755-8427 6832

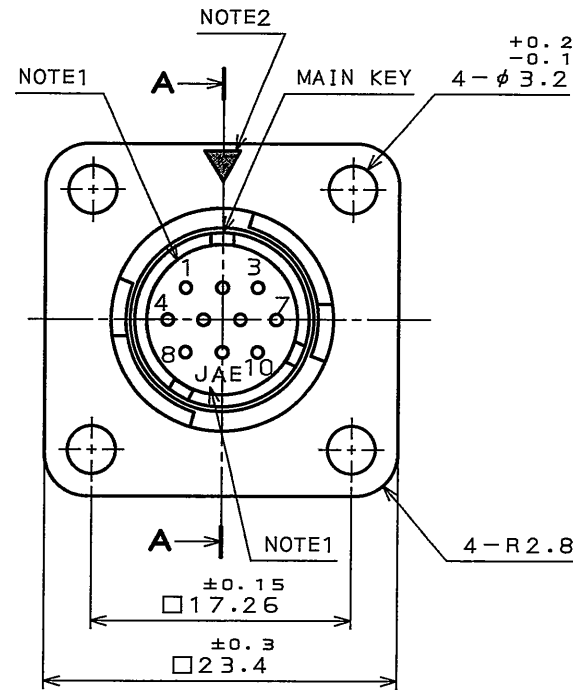
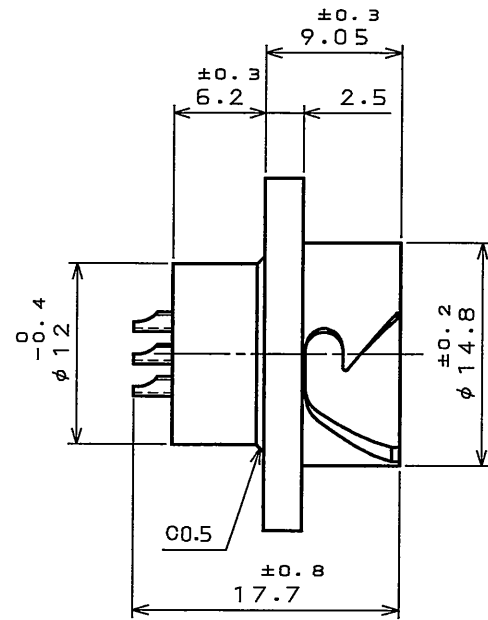
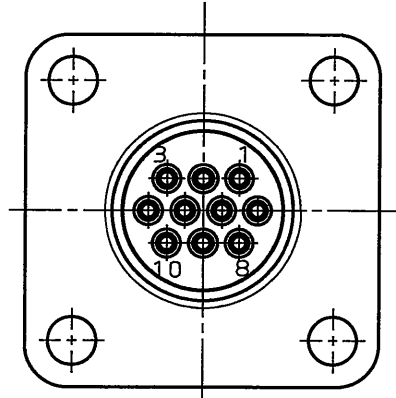
Email & Skype: info@chipsmall.com Web: www.chipsmall.com

Address: A1208, Overseas Decoration Building, #122 Zhenhua RD., Futian, Shenzhen, China



SJ105537
(ON DRAWING) 台架型

版数 REV.	年月日 DATE	DCN NO.	変更内容 DESCRIPTION	製図 DR.	担当 CHK.	査閲 APPD.	承認 APPD.



DESIGNATION
命名法

JN2AS10ML1-R

SUFFIX
特殊記号

MODIFICATION NUMBER
(1:NON WATER-PROOF)
モテ'イフイ番号(1:非防水)

CONTACT SIZE(L:#22)
コンタクトサイズ(L:#22)

TERMINATION (M:SOLDER TYPE)
結線方法(M:半田結線)

NO. OF CONTACTS(10 CONTACTS)
芯数(10芯)

SHELL SIZE
シェルサイズ

MOUNTING CONFIGURATION
(A:RECEPTACLE WITH PANEL MOUNTING)
接栓形状(A:パネル取付レセプタクル)

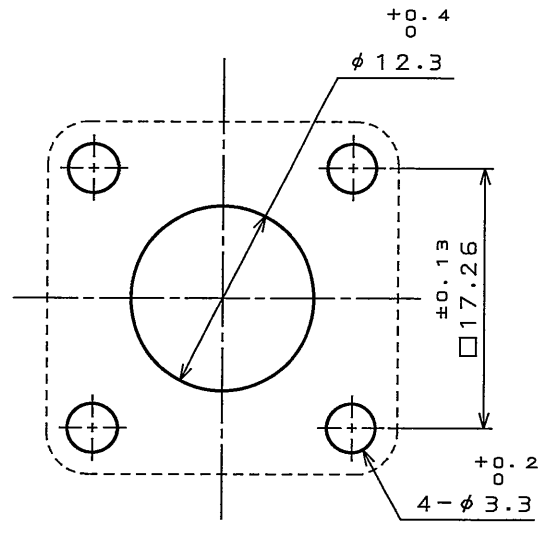
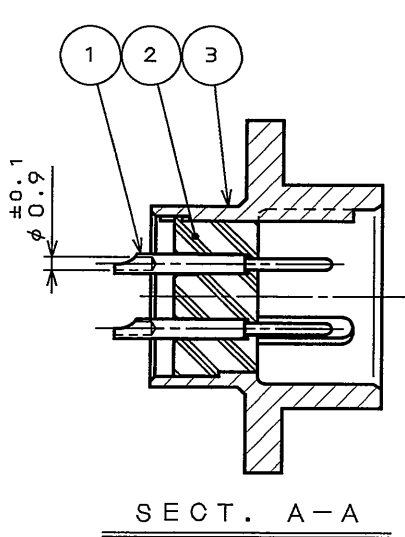
SERIES
シリーズ

SPECIFICATION

NUMBER OF CONTACT	: 10×#22
RATED VOLTAGE	: 200VAC MAX
RATED CURRENT	: 3A MAX. per CONTACT
DIELECTRIC WITHSTANDING VOLTAGE	: 900VAC
INSULATION RESISTANCE	: 1000MΩMIN. (AT 500VDC)
TERMINATION	: SOLDER TYPE(AWG#22WIRE MAX)

仕様

コンタクト	: #22コンタクト	10本
定格電圧	: 200VAC以下	
定格電流	: 3A以下/1芯	
耐電圧	: 900VAC	
絶縁抵抗	: 1000MΩ以上(500VDCにて)	
結線方法	: 半田結線(AWG#22以下)	



PANEL CUT-OUT DIMENSION
(REF.)

- NOTE1. CONTACT POSITION NUMBER & COMPANY LOGO "JAE" ARE MARKED AS INDICATED.
"-R" IS NOT MARKED.
2. A TRIANGULAR MARK (WHITE MARKING) SHOWS THE ENGAGEMENT SIGN.
- 注1. 図示の位置に端子番号及び社名を表示する。
但し、品名末尾の"-R"は表示しない。
2. 三角マーク(白マーキング)は嵌合目印を示す。

符号 NO.	名称 DESCRIPTION	個数 QTY.	材料 MATERIAL	仕上 FINISH	備考 REMARKS
3	SHELL	1	ZINC ALLOY	ZINC PLATING	COLOR:BLACK SYSTEM INTERFERENCE COLOR
2	PIN INSULATOR	1	SYNTHETIC RESIN		COLOR:BLACK
1	PIN CONTACT	10	COPPER ALLOY	GOLD PLATING(0.1μmMIN)	
仕様書(SPECIFICATION)		第1版(ORIGINAL DATE)		尺度(SCALE)	
JACS-5119 J AHL-5119		16.Dec.2005		2:1	
公差差(GENERAL TOLERANCE)		製図 DR.		シリーズ(SERIES)	
寸法(DIMENSION)		H.SAKURADA		JN2	
角度(ANGLES)		M.NITTA		名称(TITLE)	
· ±0.8	×° ±	E. Matsumoto		JN2AS10ML1-R	
·X ±0.4	×°X ±	A. Orogawa		RECEPTACLE (レセプタクル)	
·XX ±0.1	×°X ±			質量(MASS)	
·XXX ±	×°X ±			日本航空電子工業株式会社 JAPAN AVIATION ELECTRONICS INDUSTRY, LTD.	
				図面番号(DRAWING NO.)	
				SJ105537	
				版数 (REV.)	
				1	

DOF-O-212F(05.08)

