



Chipsmall Limited consists of a professional team with an average of over 10 year of expertise in the distribution of electronic components. Based in Hongkong, we have already established firm and mutual-benefit business relationships with customers from,Europe,America and south Asia,supplying obsolete and hard-to-find components to meet their specific needs.

With the principle of “Quality Parts,Customers Priority,Honest Operation,and Considerate Service”,our business mainly focus on the distribution of electronic components. Line cards we deal with include Microchip,ALPS,ROHM,Xilinx,Pulse,ON,Everlight and Freescale. Main products comprise IC,Modules,Potentiometer,IC Socket,Relay,Connector.Our parts cover such applications as commercial,industrial, and automotives areas.

We are looking forward to setting up business relationship with you and hope to provide you with the best service and solution. Let us make a better world for our industry!



Contact us

Tel: +86-755-8981 8866 Fax: +86-755-8427 6832

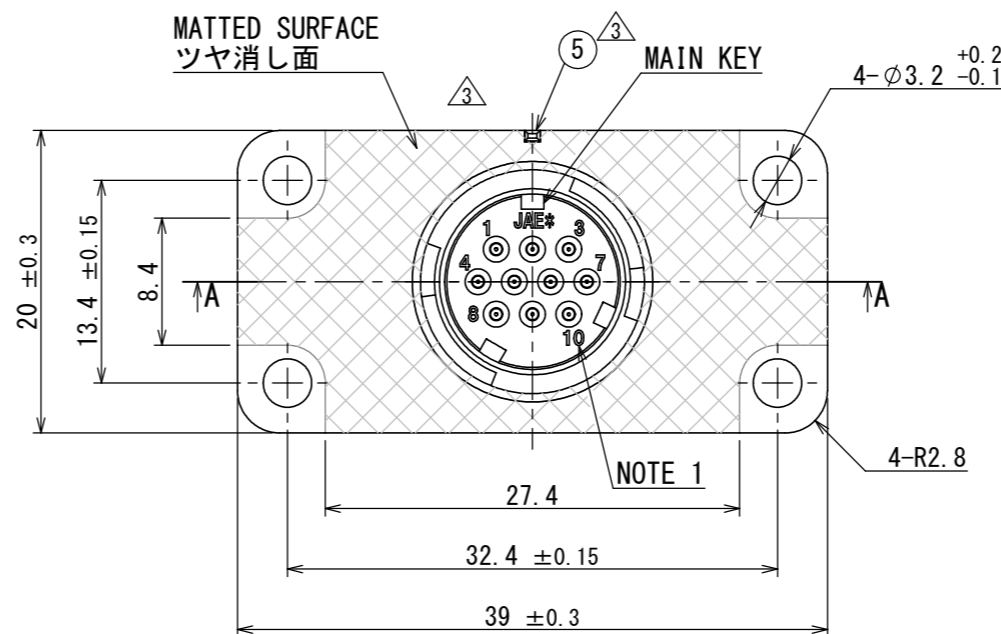
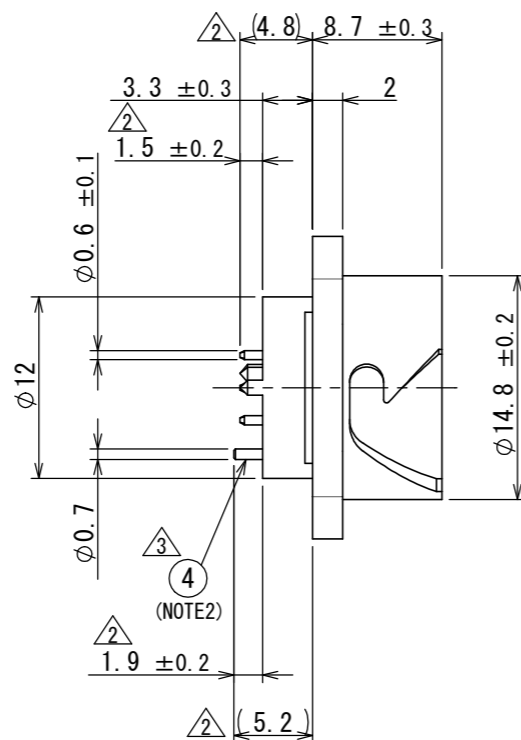
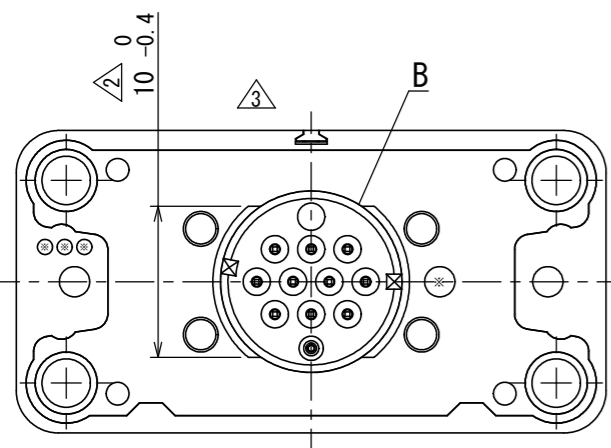
Email & Skype: info@chipsmall.com Web: www.chipsmall.com

Address: A1208, Overseas Decoration Building, #122 Zhenhua RD., Futian, Shenzhen, China



SJ105527
(DRAWING NO.)

版数 VER.	年月日 DATE	CN NO.	変更内容 DESCRIPTION	製図 DR.	担当 CHK.	査閲 APPD.	承認 APPD.
2	21/SEP/2012	003959	CHANGE THE DIMANTION, etc スルーホール部寸法変更	—	H. EBIHARA	—	E. MATSUMOTO
3	10/MAR/2014	009211	RIVESE FORM, etc 形状変更	—	H. EBIHARA	—	T. OKAMURA



DESIGNATION
命名法
JN2 A S 10 U L 1 - R

SUFFIX
特殊記号

MODIFICATION NUMBER
モディファイ番号

CONTACT SIZE (L:#22)
コンタクトサイズ (L:#22)

TERMINATION (U: THROUGH-HOLE PIN)
結線方法 (U: スルーホールピン)

NO. OF CONTACTS (10 CONTACTS)
芯数 (10芯)

SHELL SIZE
シェルサイズ

MOUNTING CONFIGURATION
(A: RECEPTACLE WITH PANEL MOUNTING)
接栓形状 (A: パネル取付レセプタクル)

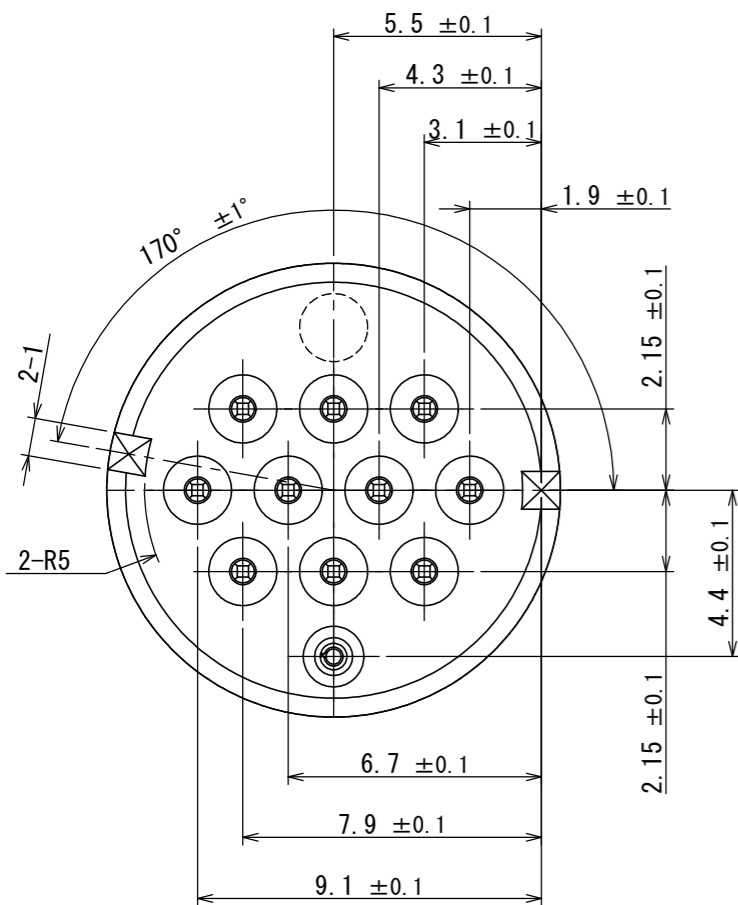
SERIES
シリーズ

SPECIFICATION

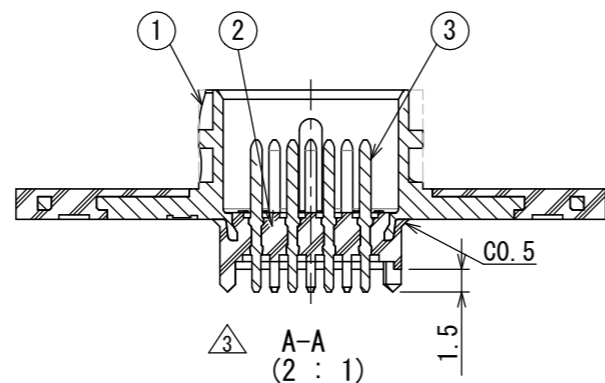
NUMBER OF CONTACT : 10×#22
 RATED VOLTAGE : 200VAC MAX.
 RATED CURRENT : 3A MAX. PER CONTACT
 DIELECTRIC WITHSTANDING VOLTAGE: 900VAC
 INSULATION RESISTANCE : 1000MΩ MIN. (AT 500VDC)
 TERMINATION : THROUGH-HOLE TERMINATION
 (0.6mm DIAMETER×10,
 0.7mm DIAMETER×1)

仕様

コンタクト: #22コンタクト 10本
 定格電圧: 200VAC以下
 定格電流: 3A以下/1芯
 耐電圧: 900VAC
 絶縁抵抗: 1000MΩ以上 (500VDCにて)
 結線方法: スルーホール結線 (φ0.6×10、φ0.7×1)



B
(5 : 1)
CONTACT ARRANGEMENT
コンタクト配列図



- NOTE 1. CONTACT POSITION NUMBER ARE MARKED AS INDICATED.
 2. THIS PIN TURNS ON ELECTRICITY WITH A METAL PART OF A PIN INSULATOR.
 3. THE SHELL AND INSULATOR, CONTACTS ARE MANUFACTURED BY INSERT MOLDING.
- 注1. 図示の位置に端子番号を表示する。
 2. ピン③はピンインシュレータ②の金属部分と導通している。
 3. シェル①とインシュレータ②及びコンタクト③は、インサート成形されている。

符号 NO.	名称 DESCRIPTION	個数 QTY.	材料 MATERIAL	仕上 FINISH	備考 REMARKS
5	MARK PIN	1	SYNTHETIC RESIN	—	COLOR: WHITE
4	PIN	1	COPPER ALLOY	TIN PLATING	
3	CONTACT (NOTE3)	10	COPPER ALLOY	GOLD PLATING (0.1 μmMIN.)	
2	INSULATOR (NOTE3)	1	SYNTHETIC RESIN	—	COLOR: BLACK
1	SHELL (NOTE3)	1	ZINC ALLOY	ZINC PLATING	COLOR: BLACK SYSTEM INTERFERENCE COLOR

仕様書 (SPECIFICATION) JACS-5119 (PRODUCT SPECIFICATION) JAHIL-5119 (PRODUCT INSTRUCTION MANUAL)	第1版 (ORIGINAL DATE) 16/DEC/2005	尺度 (SCALE) 2:1	シリーズ (SERIES) JN2	日本航空電子工業株式会社 JAE
一般公差 (GENERAL TOLERANCE) 寸法 (DIMENSION) × ±0.8 ×× ±0.4 ××× ±0.1 ×××× ±	製図 DR. H. SAKURADA 担当 CHK. M. NITTA 査閲 APPD. E. MATSUMOTO 査閲 APPD. A. ONOGAWA	名称 (TITLE) JN2AS10UL1-R	質量 (MASS) —	JAPAN AVIATION ELECTRONICS INDUSTRY, LTD.
角度 (ANGLES) ×° ± ×°×' ±	単位 (UNIT) : mm	図面番号 (DRAWING NO.) SJ105527	版数 (VER.) 3	

DCF-C-212H(12.08)

WISDOM承認 2014/03/11