



Chipsmall Limited consists of a professional team with an average of over 10 year of expertise in the distribution of electronic components. Based in Hongkong, we have already established firm and mutual-benefit business relationships with customers from,Europe,America and south Asia,supplying obsolete and hard-to-find components to meet their specific needs.

With the principle of “Quality Parts,Customers Priority,Honest Operation,and Considerate Service”,our business mainly focus on the distribution of electronic components. Line cards we deal with include Microchip,ALPS,ROHM,Xilinx,Pulse,ON,Everlight and Freescale. Main products comprise IC,Modules,Potentiometer,IC Socket,Relay,Connector.Our parts cover such applications as commercial,industrial, and automotives areas.

We are looking forward to setting up business relationship with you and hope to provide you with the best service and solution. Let us make a better world for our industry!



Contact us

Tel: +86-755-8981 8866 Fax: +86-755-8427 6832

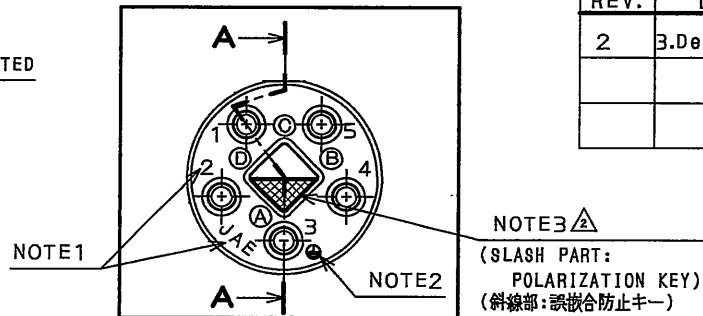
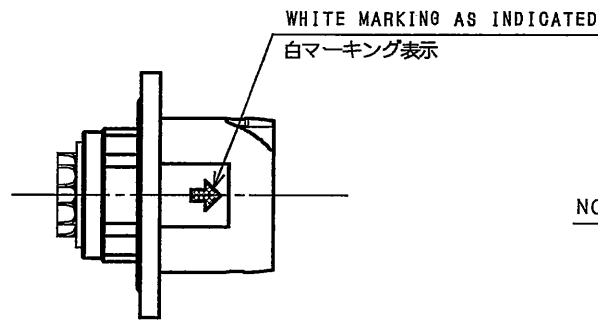
Email & Skype: info@chipsmall.com Web: www.chipsmall.com

Address: A1208, Overseas Decoration Building, #122 Zhenhua RD., Futian, Shenzhen, China

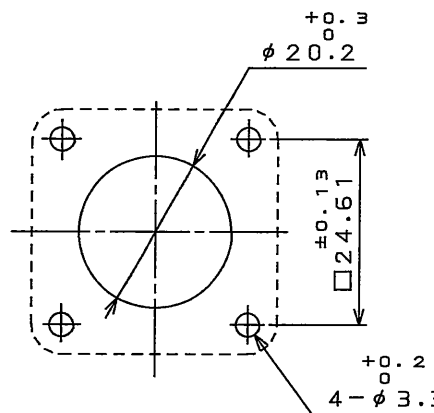


L96Z01PS
('ON ΘNIMVHD) 台受取図

版数 REV.	年月日 DATE	DCN NO.	変更内容 DESCRIPTION	製図 DR.	担当 CHK.	査閲 APPD.	承認 APPD.
2	3.Dec.2007	064487	REVISED NOTE OTHERS		T.SUZUKI	T.OKAMURA	E.Matsumoto



INSERT ARRANGEMENT (SCALE 2:1)
インサート配列図 (尺度 2:1)



PANEL CUT-OUT DIMENSION

DESIGNATION
命名法

JN2AW05FH1

MODIFICATION NUMBER
モディファイ番号

CONTACT SIZE (H:#16)
コンタクトサイズ (H:#16)

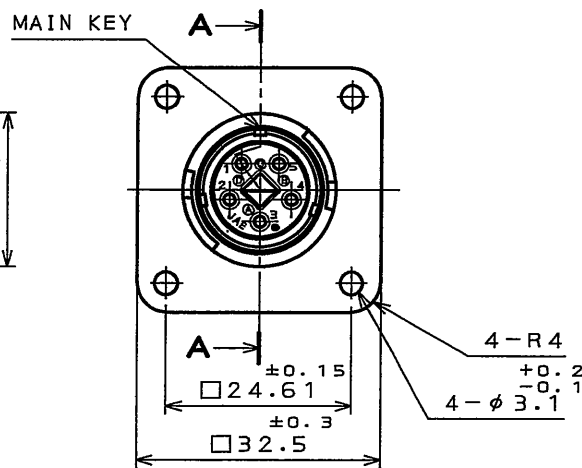
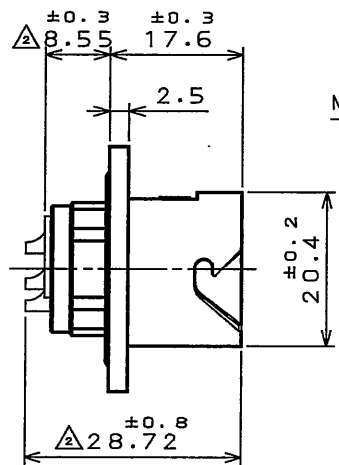
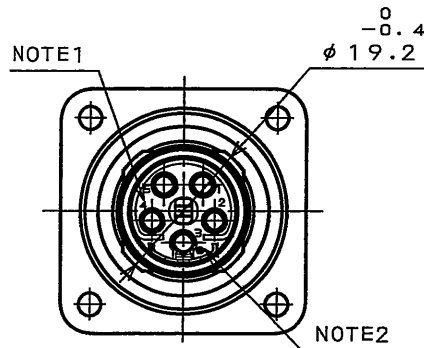
TERMINATION (F:SOCKET SOLDER TYPE)
結線方法 (F:ソケット半田結線)

NO. OF CONTACTS (5 CONTACTS)
芯数 (5芯)

SHELL SIZE
シェルサイズ

MOUNTING CONFIGURATION
(A:RECEPTACLE WITH PANEL MOUNTING)
接合形状 (A:パネル取付レセプタクル)

SERIES
シリーズ



NOTE1. CONTACT POSITION NUMBER & COMPANY LOGO "JAE" ARE MARKED AS INDICATED.

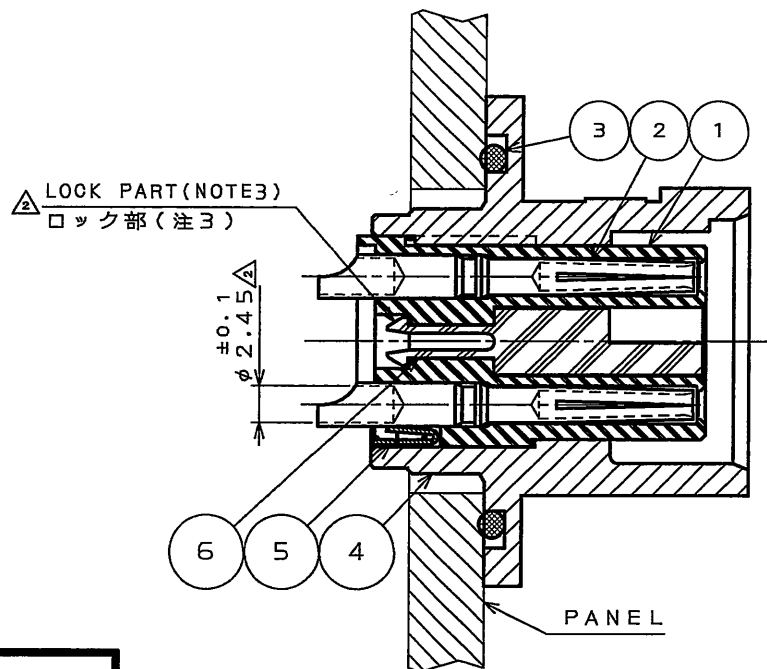
2. EARTH MARK (⊕) IS MARKED AS INDICATED.

△3. POLARIZATION KEY IS BUILT INTO THE POSITION ⊕ FOR ANOTHER POSITION (⊖~⊖), THE LOCK PART IS PICKED UP AND DETACHED WITH TWEEZERS. POLARIZATION KEY IS BUILT AGAIN.

注1. 図示の位置に端子番号及び社名を表示する。

2. 図示の位置にアースマーク (⊕) を表示する。

△3. 誤嵌合防止キーは⊕のポジションに組み込まれている。別のポジション (⊖~⊖) に対する場合は、誤嵌合防止キーのロック部をピンセットでつまんで取り外し、再装着すること。



△ LOCK PART (NOTE3)
ロック部 (注3)

SECT. A-A
(SCALE 2:1)

SPECIFICATION

NUMBER OF CONTACT	: 5X#16
RATED VOLTAGE	: 400VAC POLLUTION DEGREE/2, OVER VOLTAGE CATEGORY/II
RATED CURRENT	: 13A MAX. per CONTACT
DIELECTRIC WITHSTANDING VOLTAGE	: 2000VAC
INSULATION RESISTANCE	: 1000MΩMIN. (AT 500VDC)
APPLICABLE CABLE	: AWG#14 MAX
SUBMERSIBLE PROPERTY	: IP67 (MATED)

仕様

コンタクト	: #16コンタクト 5本
定格電圧	: 400VAC (汚染度:2/過電圧耐性:II)
定格電流	: 13A以下/1芯
耐電圧	: 2000VAC
絶縁抵抗	: 1000MΩ以上 (500VDCにて)
適用ケーブル	: AWG#14以下
防水性能	: IP67 (接合時)

符号 NO.	名称 DESCRIPTION	個数 QTY.	材料 MATERIAL	仕上 FINISH	備考 REMARKS
6	POLARIZATION KEY	1	SYNTHETIC RESIN		COLOR:WHITE, NOTE3
5	EARTH LUG	1	COPPER ALLOY	SILVER PLATING	
4	SHELL	1	ZINC ALLOY	ZINC PLATING	COLOR:BLACK SYSTEM INTERFERENCE COLOR
3	O'RING	1	SYNTHETIC RUBBER		
2	SOCKET CONTACT	5	COPPER ALLOY	SILVER PLATING	
1	INSULATOR	1	SYNTHETIC RESIN		COLOR:BLACK

特別管理品目
SPECIAL CONTROL ITEM
TUV

仕様書 (SPECIFICATION) JA08-5119-4 (Product specifications) JAHL-5119 (A product instruction manual)	第1版 (ORIGINAL DATE) 12.Oct.2007	尺度 (SCALE) 1:1	シリーズ (SERIES) JN2	日本航空電子工業株式会社 JAPAN AVIATION ELECTRONICS INDUSTRY, LTD.
公差 (GENERAL TOLERANCE)	製図 DR.	名称 (TITLE) JN2AW05FH1 (RECEPTACLE) (レセプタクル)		図面番号 (DRAWING NO.) SJ107967
寸法 (DIMENSION)	製図 DR.	担当 CHK. T.SUZUKI	査閲 APPD. T.OKAMURA	承認 APPD. E.MATSUMOTO
角度 (ANGLES)	質量 (MASS)	承認 APPD. E.MATSUMOTO		版数 (REV.) 2