



Chipsmall Limited consists of a professional team with an average of over 10 year of expertise in the distribution of electronic components. Based in Hongkong, we have already established firm and mutual-benefit business relationships with customers from,Europe,America and south Asia,supplying obsolete and hard-to-find components to meet their specific needs.

With the principle of “Quality Parts,Customers Priority,Honest Operation,and Considerate Service”,our business mainly focus on the distribution of electronic components. Line cards we deal with include Microchip,ALPS,ROHM,Xilinx,Pulse,ON,Everlight and Freescale. Main products comprise IC,Modules,Potentiometer,IC Socket,Relay,Connector.Our parts cover such applications as commercial,industrial, and automotives areas.

We are looking forward to setting up business relationship with you and hope to provide you with the best service and solution. Let us make a better world for our industry!



Contact us

Tel: +86-755-8981 8866 Fax: +86-755-8427 6832

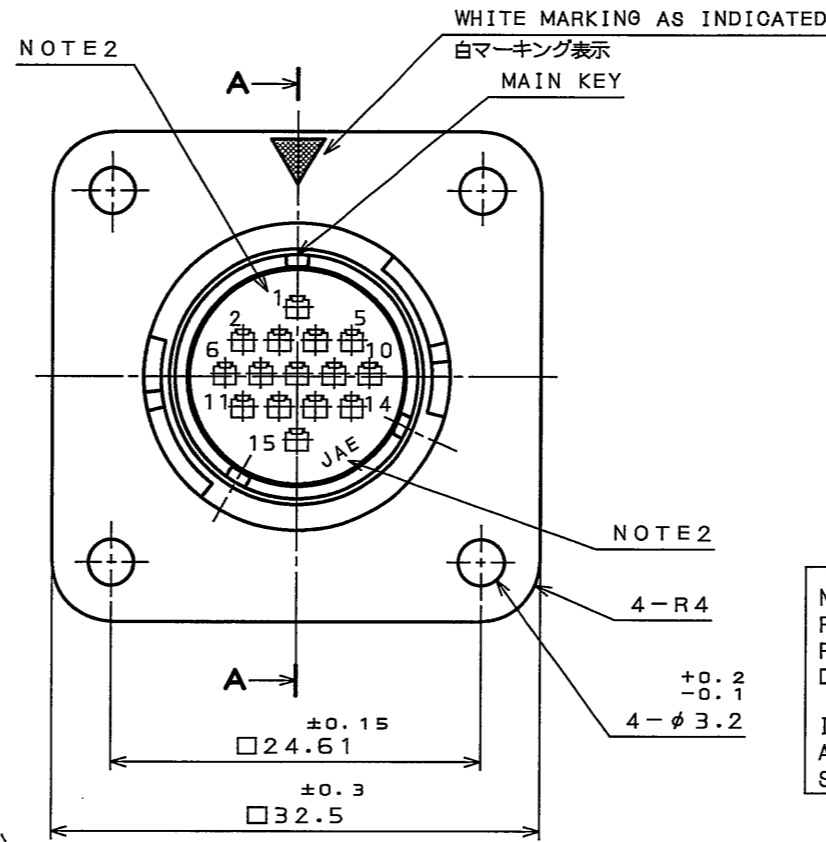
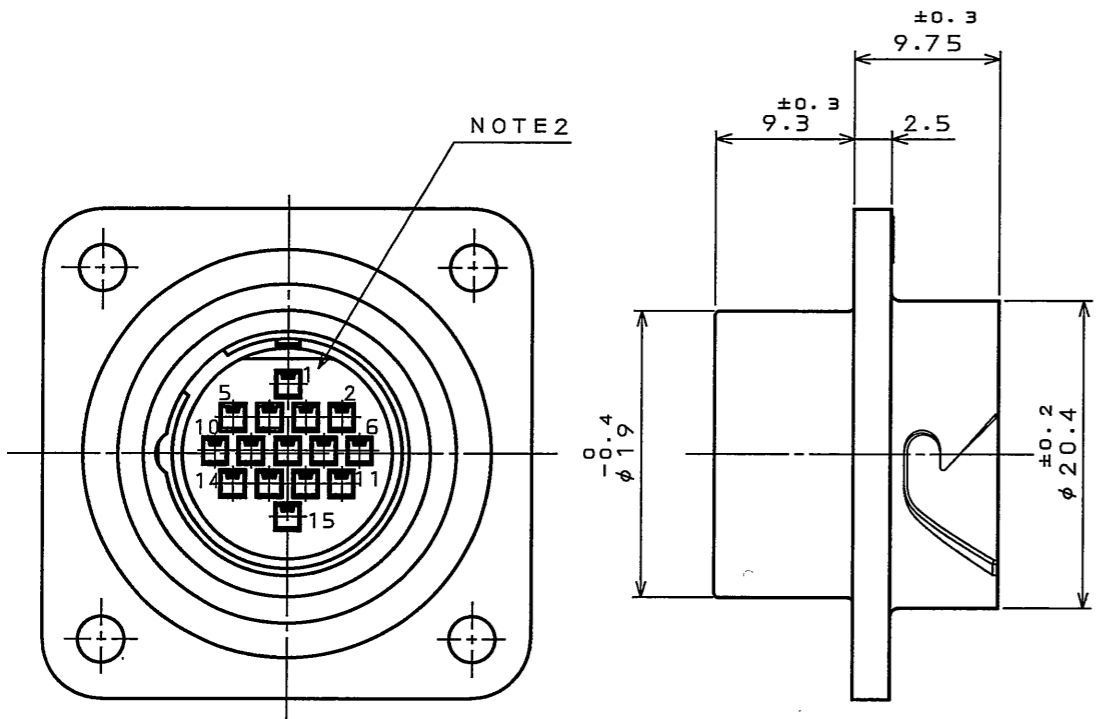
Email & Skype: info@chipsmall.com Web: www.chipsmall.com

Address: A1208, Overseas Decoration Building, #122 Zhenhua RD., Futian, Shenzhen, China



SJ105327
(ON ΘNIMVHD) 台架型図

| 版数 REV. | 年月日 DATE | DCN NO. | 変更内容 DESCRIPTION | 製図 DR. | 担当 CHK. | 査閲 APPD. | 承認 APPD. |
|------------|-------------|---------|-----------------------------|-----------|------------|-------------|-------------|
| 2 | 9.Mar.2006 | 059590 | REVISED APPLICABLE CONTACTS | — | T.SUZUKI | T.OKAMURA | A.ONOGAWA |
| 3 | 7.Aug.2006 | 060801 | CORRECT AN ERROR | — | T.SUZUKI | T.OKAMURA | A. Onogawa |



DESIGNATION
命名法
△ JN2AW15PL1

MODIFICATION NUMBER
モディファイ番号
CONTACT SIZE(L:#22)
コンタクトサイズ(L:#22)
TERMINATION(P:CRIMPING PIN)
結線方法(P:圧着ピン)
NO. OF CONTACTS(15 CONTACTS)
芯数(15芯)
SHELL SIZE
シェルサイズ

MOUNTING CONFIGURATION
(A:RECEPTACLE WITH PANEL MOUNTING)
接栓形状(A:パネル取付レセプタクル)

SERIES
シリーズ

SPECIFICATION

NUMBER OF CONTACT : 15×#22
RATED VOLTAGE : 200VAC MAX
RATED CURRENT : 3A MAX. per CONTACT
DIELECTRIC WITHSTANDING VOLTAGE : 900VAC
INSULATION RESISTANCE : 1000MΩMIN. (AT 500VDC)
APPLICABLE CABLE : SEE NOTE3
SUBMERSIBLE PROPERTY : IP67 (MATED)

仕様

コンタクト : #22コンタクト 15本
定格電圧 : 200VAC以下
定格電流 : 3A以下/1芯
耐電圧 : 900VAC
絶縁抵抗 : 1000MΩ以上(500VDCにて)
適用ケーブル : 注3
防水性能 : IP67(接合時)

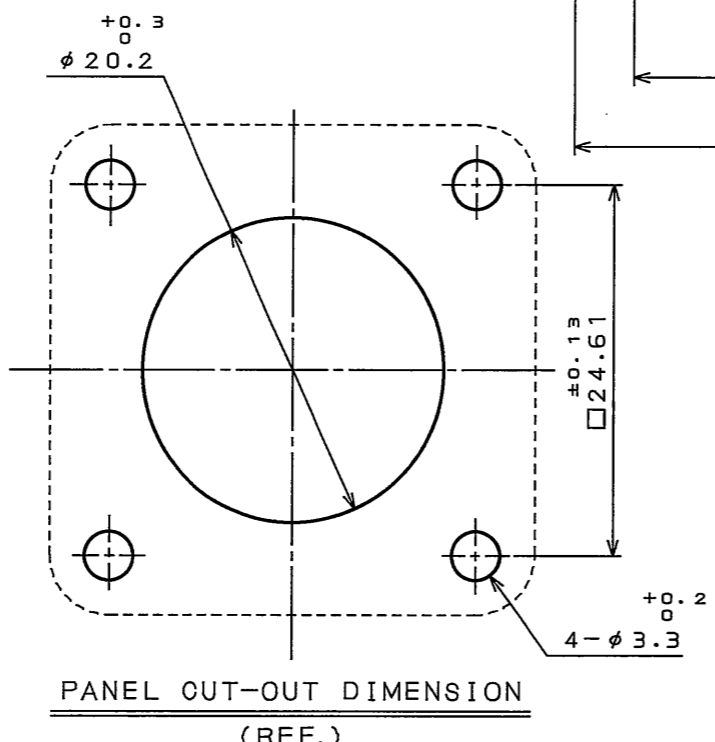
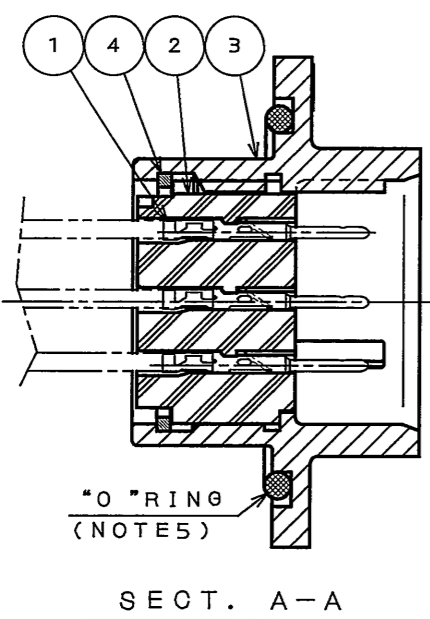


TABLE-1【APPLICABLE CRIMP CONTACT】

| CONTACT SIZE コンタクトサイズ | PIECE 区分 | PART NO. OF APPLICABLE CONTACTS 適用コンタクト品名 | | TYPE タイプ | APPLICABLE WIRE (NOTE3) 適用電線(注3) | TYPE 工具種別 | APPLICABLE TOOL AND APPLICABLE WIRE 適用工具と適用電線 | TOOL HANDLING MANUAL 工具取扱説明書 |
|--------------------------|--------------------------------------|--|-------------------|--------------|-------------------------------------|-----------------------|--|---------------------------------|
| | | PIN CONTACT ピンコンタクト | DWG No. 製品図面番号 | | | | | |
| #22 | INDIVIDUAL (100 CABLES) バラ状(100本) | JN1-22-20P-R-PK0100 | △ | PRESS プレス | #20~#21 | MANUAL 手動 | GT150-2-JN1-D | △#20, #21, #25 |
| | | JN1-22-22P-PK0100 | SJ037430 | | #21~#25 | | GT150-2-JN1-E | △#21, #23, #25 |
| | | JN1-22-26P-PK0100 | | | #26~#28 | | GT150-2-JN1-B | #22~#24, #26~#28 |
| | REELS (10000 CABLES) リール状(10000本) | JN1-22-20P-R-10000 | △ | PRESS プレス | #20 | SEMI-AUTOMATIC 半自動 | 350-JN1-2 OR 350-D02-2(NOTE5) | #20~#28 |
| | | JN1-22-22P-10000 | SJ037431 | | #21~#25 | | | |
| | | JN1-22-26P-10000 | | | #26~#28 | | | |

| 符号 NO. | 名称 DESCRIPTION | 個数 QTY. | 材料 MATERIAL | 仕上 FINISH | 備考 REMARKS |
|-----------|-------------------|------------|-----------------|------------------------|---------------------------------------|
| 4 | RETAINING RING | 1 | ZINC ALLOY | ZINC PLATING | COLOR:BLACK SYSTEM INTERFERENCE COLOR |
| 3 | SHELL | 1 | ZINC ALLOY | ZINC PLATING | COLOR:BLACK SYSTEM INTERFERENCE COLOR |
| 2 | PIN INSULATOR | 1 | SYNTHETIC RESIN | — | COLOR:BLACK |
| 1 | PIN CONTACT | 15 | COPPER ALLOY | GOLD PLATING(0.1μmMIN) | SOLD SEPARATELY(NOTE1) |

NOTE1. CONTACTS ARE SOLD SEPARATELY. THE APPLICABLE CONTACTS ARE LISTED IN THE TABLE-1.
2. CONTACT POSITION NUMBER & COMPANY LOGO "JAE" ARE MARKED AS INDICATED.
3. CONFIRM THE TOOL HANDLING MANUAL FOR THE DETAILS OF WIRE SPECIFICATION IN THE TABLE-1.
4. JIG ADJUSTMENT IS REQUIRED WHEN USING 350-D02-2.
5. "O" RING IS GENERAL MERCHANDISE, AND IS NOT ATTACHED TO THIS PRODUCT.
PART NUMBER OF THIS "O" RING IS AS568-020.

注1. コンタクトは別売り品であり、適用コンタクトは表-1による。
2. 図示の位置に端子番号及び社名を表示する。
3. 電線仕様詳細は、表-1の工具取扱説明書を確認してください。
4. 350-D02-2を使用する場合は、治具の調整が必要となります。
5. "O" リングは一般購入品であり、本製品には添付されておりません。
購入する際の品番は「AS568-020」となります。

| | | | | | |
|--|-----------------------------------|---|---------------------|---|-------------------|
| 仕様書(SPECIFICATION) JAG8-5119 (Product specifications) JAH1-5119 (A product instruction manual) | 第1版(ORIGINAL DATE) 14.Nov.2005 | 尺度(SCALE) 2:1 | シリーズ(SERIES) JN2 | 日本航空電子工業株式会社 JAE ELECTRONICS INDUSTRY, LTD. 図面番号(DRAWING NO.) SJ105327 | 版数 (REV.) 3 |
| 公差(GENERAL TOLERANCE) | 製図 DR. | 名称(TITLE) JN2AW15PL1 (RECEPTACLE) (レセプタクル) | | | |
| 寸法(DIMENSION) | 担当 CHK. T.SUZUKI | 質量(MASS) | | | |
| 角度(ANGLES) | 査閲 APPD. T.OKAMURA | 承認 APPD. A.ONOGAWA | | | |

DOF-0-212F(05.08)

