



Chipsmall Limited consists of a professional team with an average of over 10 year of expertise in the distribution of electronic components. Based in Hongkong, we have already established firm and mutual-benefit business relationships with customers from,Europe,America and south Asia,supplying obsolete and hard-to-find components to meet their specific needs.

With the principle of “Quality Parts,Customers Priority,Honest Operation,and Considerate Service”,our business mainly focus on the distribution of electronic components. Line cards we deal with include Microchip,ALPS,ROHM,Xilinx,Pulse,ON,Everlight and Freescale. Main products comprise IC,Modules,Potentiometer,IC Socket,Relay,Connector.Our parts cover such applications as commercial,industrial, and automotives areas.

We are looking forward to setting up business relationship with you and hope to provide you with the best service and solution. Let us make a better world for our industry!



Contact us

Tel: +86-755-8981 8866 Fax: +86-755-8427 6832

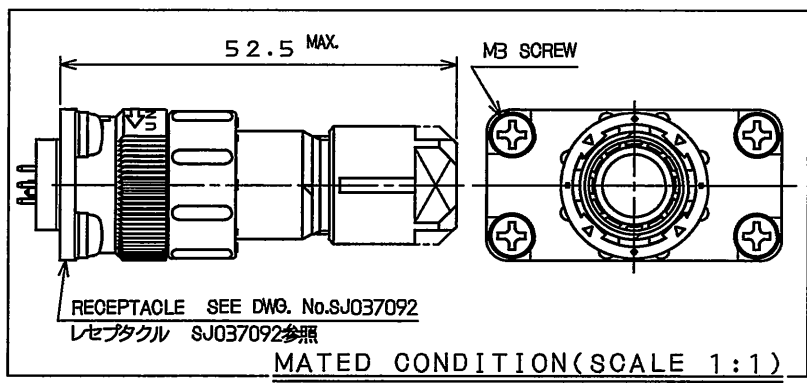
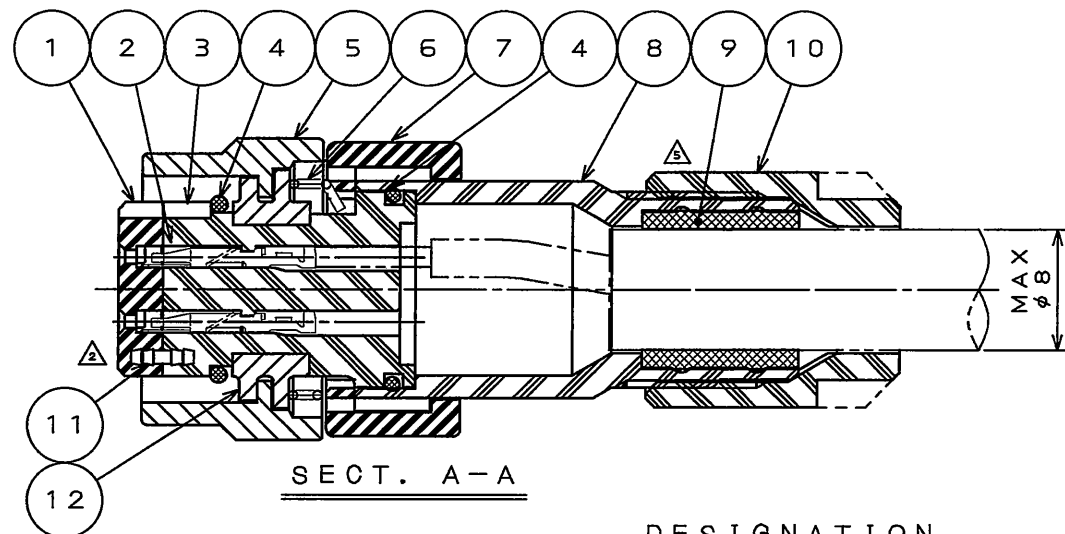
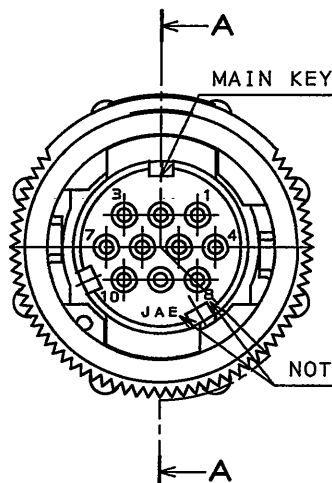
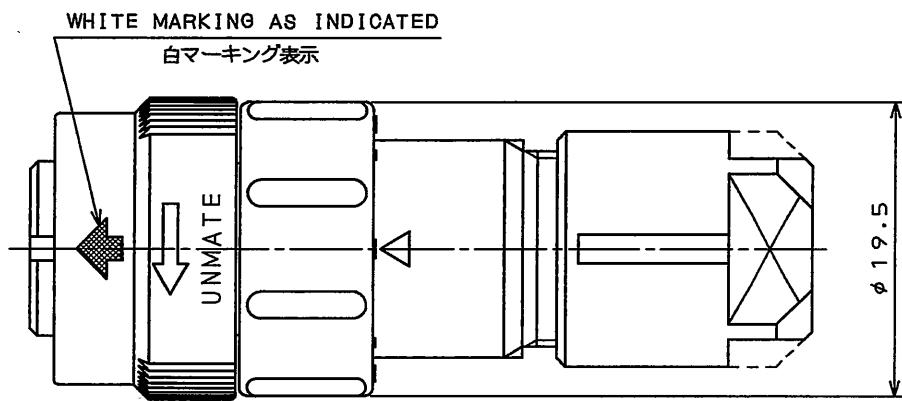
Email & Skype: info@chipsmall.com Web: www.chipsmall.com

Address: A1208, Overseas Decoration Building, #122 Zhenhua RD., Futian, Shenzhen, China



6ZSS01RS

(ON DRAWING) 各要図



DESIGNATION

命名法
JN2DS10SL※-R

SUFFIX 特殊記号
MODIFICATION NUMBER (NOTE2) モディファイ番号 (注2)
CONTACT SIZE (L:#22) コンタクトサイズ (L:#22)
TERMINATION (S:CRIMPING SOCKET) 結線方法 (S:圧着ソケット)
NO. OF CONTACTS (10 CONTACTS) 芯数 (10芯)
SHELL SIZE シェルサイズ
MOUNTING CONFIGURATION (D:STRAIGHT PLUG) 接栓形状 (D:ストレートプラグ)
SERIES シリーズ

版数 REV.	年月日 DATE	DCN NO.	変更内容 DESCRIPTION	製図 DR.	担当 CHK.	査閲 APPD.	承認 APPD.
2	16.Jan.2006	059125	REVISED FORM		N.SASANO	E.MATSUMOTO	A.ONOGAWA
3	10.Mar.2006	059590	REVISED APPLICABLE CONTACTS.		N.SASANO	E.MATSUMOTO	A.ONOGAWA
4	6.Jul.2006	060450	ADDITION OF ITEMS		T.SUZUKI	E.MATSUMOTO	A.ONOGAWA
5	15.Oct.2009	067605	REVISED FORM		H.NAKAJIMA	TOKAMURA	E.Matsumoto

NOTE1. CONTACTS ARE SOLD SEPARATELY. THE APPLICABLE CONTACTS ARE LISTED IN THE TABLE-1.
 2. THE PART NUMBER SHALL SPECIFY THE AVAILABILITY OF THE BUSHING, AND THE APPLICABLE CABLE SIZE. SEE TABLE-2 FOR RESPECTIVE PART NUMBERS, THEIR APPLICABLE CABLES, AND THEIR BUSHING COLORS.
 3. CONTACT POSITION NUMBER & COMPANY LOGO "JAE" ARE MARKED AS INDICATED.
 4. CONFIRM THE HANDING MANUAL FOR THE DETAILS OF WIRE SPECIFICATION IN THE TABLE-1.
 5. JIG ADJUSTMENT IS REQUIRED WHEN USING 350-D02-2.
 注1. コントクトは別売り品であり、適用コンタクトは表-1による。
 2. 本製品は品名によりブッシング部品 ①の有無及び、適用ケーブルが異なる。品名、ブッシングの有無、適用ケーブル及び、色相は表-2による。
 3. 図示の位置に端子番号及び社名を表示する。
 4. 電線仕様詳細は、表-1の工具取扱説明書を確認してください。
 5. 350-D02-2を使用する場合は、治具の調整が必要となります。

TABLE-1【APPLICABLE CRIMP CONTACT】

CONTACT SIZE コンタクトサイズ	PIECE 区分	APPLICABLE CONTACTS 適用コンタクト品名		TYPE タイプ	APPLICABLE WIRE (NOTE4) 適用電線(注4) AWG No.	TYPE 工具種別	APPLICABLE TOOL AND APPLICABLE WIRE 適用工具と適用電線		TOOL HANDLING MANUAL 工具取扱説明書
		SOCKET CONTACT ソケットコンタクト	DWG No. 製品区分番号						
#22	INDIVIDUAL (100 CABLES) バラ状(100本)	JN1-22-208-R-PK0100		PRESS プレス	#20	MANUAL 手動	GT150-2-JN1-E	#21, #23, #25	T700253
		JN1-22-228-PK0100	SJ035503		#21~#25		GT150-2-JN1-D	#20, #25	
		JN1-22-268-PK0100			#26~#28		GT150-2-JN1-B	#22~#24, #26~#28	
	REELS (10000 CABLES) リール状(10000本)	JN1-22-208-R-10000		PRESS プレス	#20	SEMI-AUTOMATIC 半自動	350-JN1-20 OR 350-D02-2(NOTE5)	#20~#28	T703294
		JN1-22-228-10000	SJ035504		#21~#25		T703082		
		JN1-22-268-10000			#26~#28				

TABLE-2【APPLICABLE WIRE DIM.】 SPECIFICATION

PART NUMBER 品名	BUSHING	APPLICABLE WIRE DIM. 適用ケーブル径	BUSHING COLOR ブッシングの色相
JN2FS10SL1-R	WITH	φ57~73	BLACK
JN2FS10SL2-R	WITH	φ65~80	GRAY
JN2FS10SL3-R	WITH	φ35~50	BRICK
JN2FS10SLN-R	WITHOUT	WITHOUT BUSHING (★)	

仕様
 NUMBER OF CONTACT : 10×#22
 RATED VOLTAGE : 200VAC MAX
 RATED CURRENT : 3A MAX. per CONTACT
 DIELECTRIC WITHSTANDING VOLTAGE : 900VAC
 INSULATION RESISTANCE : 1000MΩMIN. (AT 500VDC)
 APPLICABLE CABLE : SEE NOTE2
 SUBMERSIBLE PROPERTY : IP67 (MATED)

仕様
 コンタクト : #22コンタクト 10本
 定格電圧 : 200VAC以下
 定格電流 : 3A以下/1芯
 耐電圧 : 900VAC
 絶縁抵抗 : 1000MΩ以上(500VDCにて)
 適用ケーブル : 注2
 防汚性能 : IP67(嵌合時)

符号 NO.	名 称 DESCRIPTION	個 数 QTY.	材 料 MATERIAL	仕 上 FINISH	備 考 REMARKS
12	FLANGE	1	ZINC ALLOY	ZINC PLATING	COLOR:BLACK SYSTEM INTERFERENCE COLOR
11	PIN	2	COPPER ALLOY	NICKEL PLATING	
10	GLAND NUT	1	SYNTHETIC RESIN		COLOR:BLACK
9	BUSHING	1	SYNTHETIC RUBBER		NOTE2
8	STRAIGHT ENDBELL	1	SYNTHETIC RESIN		COLOR:BLACK
7	ASSEMBLY NUT	1	SYNTHETIC RESIN		COLOR:BLACK
6	SPRING	1	STAINLESS STEEL		
5	COUPLING NUT	1	ZINC ALLOY	ZINC PLATING	COLOR:BLACK SYSTEM INTERFERENCE COLOR
4	"O" RING	2	SYNTHETIC RUBBER		COLOR:BLACK
3	REAR INSULATOR	1	SYNTHETIC RESIN		COLOR:BLACK
2	SOCKET CONTACT	10	COPPER ALLOY	GOLD PLATING (0.1μmMIN)	SOLD SEPARATELY(NOTE1)
1	FRONT INSULATOR	1	SYNTHETIC RESIN		COLOR:BLACK

仕様書 (SPECIFICATION) JACS-5119 (Product specifications) JAHL-5119 (A product instruction manual)	第1版 (ORIGINAL DATE) 16.Dec.2005	尺度 (SCALE) 2:1	シリーズ (SERIES) JN2	日本航空電子工業株式会社 JAPAN AVIATION ELECTRONICS INDUSTRY, LTD. 図面番号 (DRAWING NO.) SJ105529
製造 DR. H.SAKURADA	製図 DR. H.SAKURADA	名称 (TITLE) JN2DS10SL※-R STRAIGHT PLUG (ストレートプラグ)		
担当 CHK. M.NITTA	製図 DR. H.SAKURADA			
査閲 APPD. E.MATSUMOTO	製図 DR. H.SAKURADA			
承認 APPD. A.ONOGAWA				質量 (MASS)

DOF-0-212F(05.08)

