



Chipsmall Limited consists of a professional team with an average of over 10 year of expertise in the distribution of electronic components. Based in Hongkong, we have already established firm and mutual-benefit business relationships with customers from,Europe,America and south Asia,supplying obsolete and hard-to-find components to meet their specific needs.

With the principle of "Quality Parts,Customers Priority,Honest Operation,and Considerate Service",our business mainly focus on the distribution of electronic components. Line cards we deal with include Microchip,ALPS,ROHM,Xilinx,Pulse,ON,Everlight and Freescale. Main products comprise IC,Modules,Potentiometer,IC Socket,Relay,Connector.Our parts cover such applications as commercial,industrial, and automotives areas.

We are looking forward to setting up business relationship with you and hope to provide you with the best service and solution. Let us make a better world for our industry!



Contact us

Tel: +86-755-8981 8866 Fax: +86-755-8427 6832

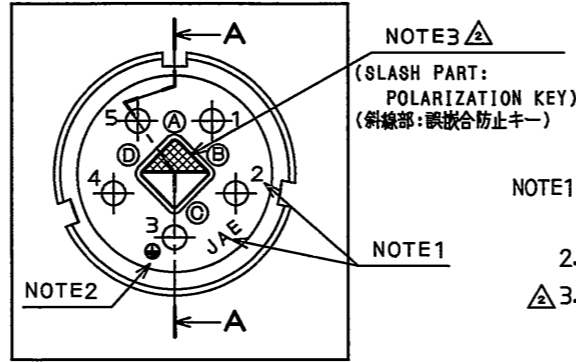
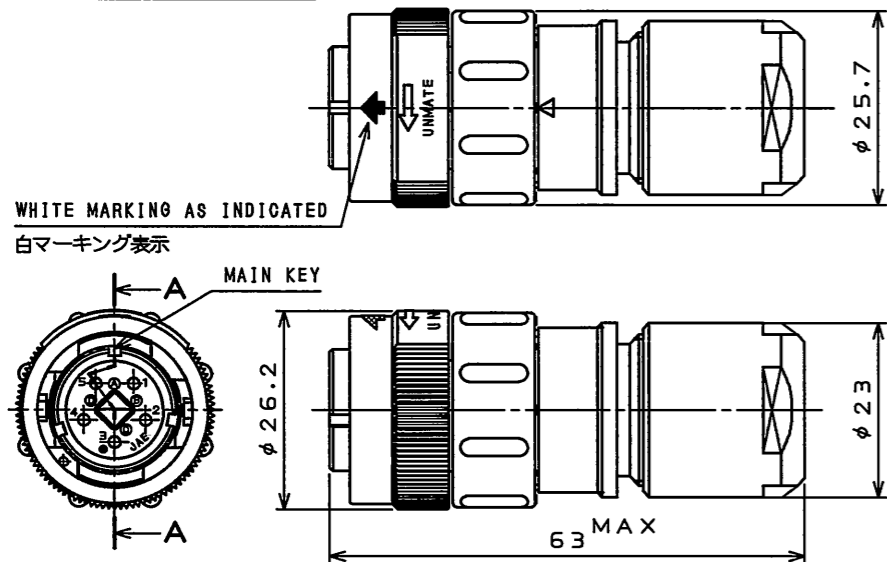
Email & Skype: info@chipsmall.com Web: www.chipsmall.com

Address: A1208, Overseas Decoration Building, #122 Zhenhua RD., Futian, Shenzhen, China



1Z6Z01RS

(ON DRAWING)台座図



INSERT ARRANGEMENT (SCALE 2:1)
インサート配列図(尺度 2:1)

特別管理品目
SPECIAL CONTROL ITEM
TUV

版数 REV.	年月日 DATE	DCN NO.	変更内容 DESCRIPTION	製図 DR.	担当 CHK.	査閲 APPD.	承認 APPD.
2	3.Dec.2007	064487	REVISED NOTE OTHERS	---	T.SUZUKI	T.OKAMURA	E.MATSUMOTO
3	31.Jul.2008	065833	ADDED ITEM	---	T.SUZUKI	T.OKAMURA	E.MATSUMOTO
4	14.Sep.2009	068170	ADDED ITEM	---	H.EBIHARA	T.OKAMURA	E.MATSUMOTO

- NOTE1. CONTACT POSITION NUMBER & COMPANY LOGO "JAE" ARE MARKED AS INDICATED.
2. EARTH MARK (⊕) IS MARKED AS INDICATED.
- △ 3. POLARIZATION KEY IS BUILT INTO THE POSITION (A) FOR ANOTHER POSITION (B), THE LOCK PART IS PICKED UP AND DETACHED WITH TWEEZERS. POLARIZATION KEY IS BUILT AGAIN.
4. THE PART NUMBER SHALL BUSHING AND THE APPLICABLE CABLE SIZE. SEE TABLE-1 FOR RESPECTIVE PART NUMBERS, THEIR APPLICABLE CABLES, THEIR BUSHING COLORS, AND IDENTIFICATION.

- 注1. 図示の位置に端子番号及び社名を表示する。
2. 図示の位置にアースマーク (⊕) を表示する。
- △ 3. 誤嵌合防止キーは(A)のポジションに組み込まれている。別のポジション(B)にする場合は、誤嵌合防止キーのロック部をピンセットでつまんで取り外し、再装着すること。
4. 本製品は品名によりブッシング部品 (B) 及び、適用ケーブルが異なる。品名、適用ケーブル、色相及び、識別表示は表-1による。

TABLE-1【APPLICABLE WIRE DIM.】

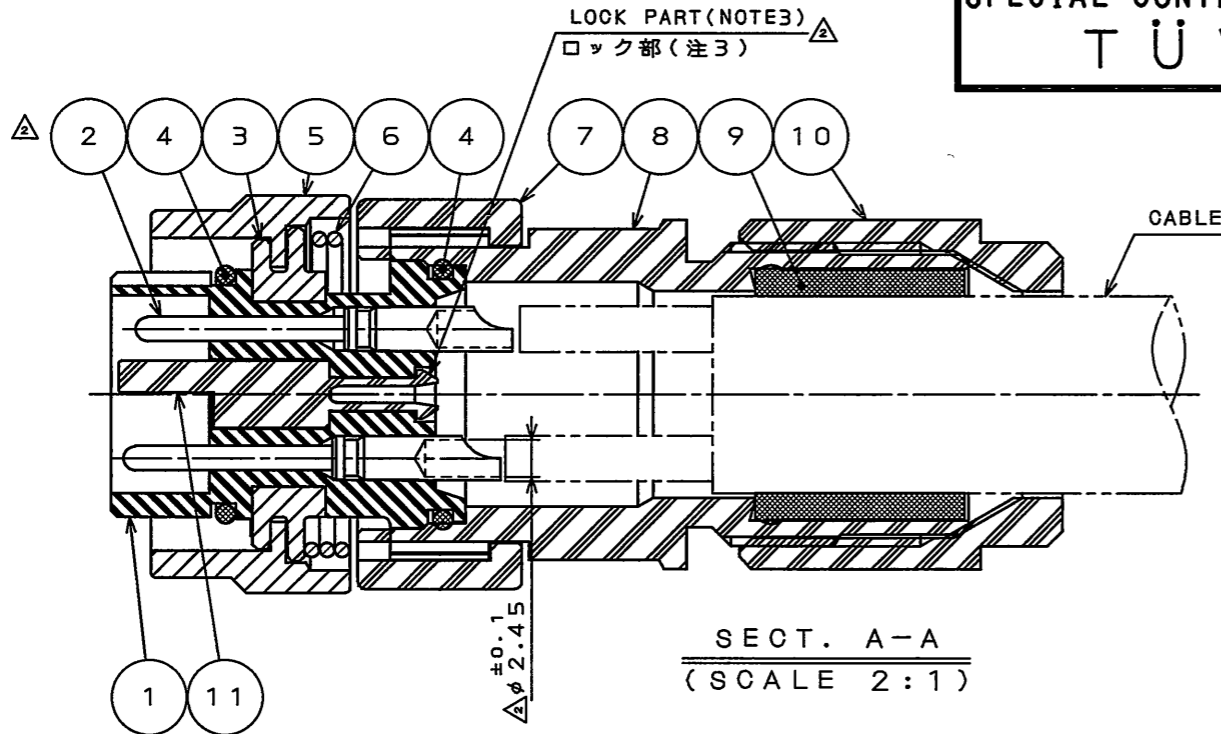
品名	適用ケーブル径	ブッシングの色相	識別表示	表示位置
JN2DW05MH1	φ8~10	BLACK	φ10	MARKED LOCATION
JN2DW05MH2	φ10~12	BLACK	NONE	---
JN2DW05MH3	φ4~6	BLACK	φ6	---

SPECIFICATION

NUMBER OF CONTACT	: 5×#16
RATED VOLTAGE	: 400VAC POLLUTION DEGREE/2, OVER VOLTAGE CATEGORY/II
RATED CURRENT	: 13A MAX. per CONTACT
DIELECTRIC WITHSTANDING VOLTAGE	: 2000VAC
INSULATION RESISTANCE	: 1000MΩMIN. (AT 500VDC)
APPLICABLE CABLE	: AWG#14 MAX.(SEE NOTE4)
SUBMERSIBLE PROPERTY	: IP67 (MATED)

仕様

コンタクト	: #16コンタクト 5本
定格電圧	: 400VAC(汚染度:2/過電圧耐性:II)
定格電流	: 13A以下/1芯
耐電圧	: 2000VAC
絶縁抵抗	: 1000MΩ以上(500VDCにて)
適用ケーブル	: AWG#14以下(注4)
防水性能	: IP67(嵌合時)



DESIGNATION

命名法
JN2DW05MH※

MODIFICATION NUMBER (NOTE4)
モディファイ番号(注4)

CONTACT SIZE (H:#16)
コンタクトサイズ(H:#16)

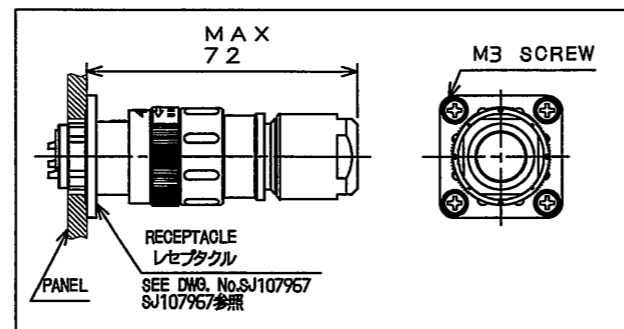
TERMINATION (M:PIN SOLDER TYPE)
結線方法(M:ピン半田結線)

NO. OF CONTACTS (5 CONTACTS)
芯数(5芯)

SHELL SIZE
シェルサイズ

MOUNTING CONFIGURATION (D:STRAIGHT PLUG)
接栓形状(D:ストレートプラグ)

SERIES
シリーズ



MATED CONDITION (SCALE 1:2)
嵌合状態図(尺度 1:2)

符号 NO.	名称 DESCRIPTION	個数 QTY.	材料 MATERIAL	仕上 FINISH	備考 REMARKS
11	POLARIZATION KEY	1	SYNTHETIC RESIN	---	COLOR: WHITE, NOTE3
10	GLAND NUT	1	SYNTHETIC RESIN	---	COLOR: BLACK
9	BUSHING	1	SYNTHETIC RUBBER	---	NOTE4
8	STRAIGHT ENDBELL	1	SYNTHETIC RESIN	---	COLOR: BLACK
7	ASSEMBLY NUT	1	SYNTHETIC RESIN	---	COLOR: BLACK
6	SPRING	1	STAINLESS STEEL	---	---
5	COUPLING NUT	1	ZINC ALLOY	ZINC PLATING	COLOR: BLACK SYSTEM INTERFERENCE COLOR
4	"O" RING	2	SYNTHETIC RUBBER	---	COLOR: BLACK
3	FLANGE	1	ZINC ALLOY	ZINC PLATING	COLOR: BLACK SYSTEM INTERFERENCE COLOR
2	PIN CONTACT	5	COPPER ALLOY	SILVER PLATING	---
1	INSULATOR	1	SYNTHETIC RESIN	---	COLOR: BLACK

仕様書(SPECIFICATION) JAGS-5119-4 (Product specifications) JAHL-5119 (A product instruction manual)	第1版(ORIGINAL DATE) 12.Oct.2007	尺度(SCALE) 1:1	シリーズ(SERIES) JN2	日本航空電子工業株式会社 JAPAN AVIATION ELECTRONICS INDUSTRY, LTD. 図面番号(DRAWING NO.) SJ107971	版数 (REV.) 4
公差(GENERAL TOLERANCE)	製図 DR.	名称(TITLE) JN2DW05MH※ (STRAIGHT PLUG) (ストレートプラグ)	質量(MASS)		
寸法(DIMENSION) 角度(ANGLES)	製図 DR.	---	---		
・ ±0.8 ・ X ±0.4 ・ XX ±0.1 ・ XXX ±	担当 CHK. T.SUZUKI 査閲 APPD. T.OKAMURA 承認 APPD. E.MATSUMOTO	---	---		