



Chipsmall Limited consists of a professional team with an average of over 10 year of expertise in the distribution of electronic components. Based in Hongkong, we have already established firm and mutual-benefit business relationships with customers from,Europe,America and south Asia,supplying obsolete and hard-to-find components to meet their specific needs.

With the principle of “Quality Parts,Customers Priority,Honest Operation,and Considerate Service”,our business mainly focus on the distribution of electronic components. Line cards we deal with include Microchip,ALPS,ROHM,Xilinx,Pulse,ON,Everlight and Freescale. Main products comprise IC,Modules,Potentiometer,IC Socket,Relay,Connector.Our parts cover such applications as commercial,industrial, and automotives areas.

We are looking forward to setting up business relationship with you and hope to provide you with the best service and solution. Let us make a better world for our industry!



Contact us

Tel: +86-755-8981 8866 Fax: +86-755-8427 6832

Email & Skype: info@chipsmall.com Web: www.chipsmall.com

Address: A1208, Overseas Decoration Building, #122 Zhenhua RD., Futian, Shenzhen, China



特別管理品目
SPECIAL CONTROL ITEM
TUV

版数 REV.	年月日 DATE	DCN NO.	変更内容 DESCRIPTION	製図 DR.	担当 CHK.	査閲 APPD.	承認 APPD.
2	15.Nov.2007	064235	ADDED SPECIAL CONTROL ITEM, ETC	T.TAKESHITA	T.SUZUKI		E.MATSUMOTO
3	16.Jun.2009	068279	CHANGED RATED VOLTAGE		H.NAKAJIMA	T.OKAMURA	E.Matsumoto

DESIGNATION 命名法

J N 2 F S O 4 F K ※ ※ - R

SUFFIX 特殊記号

POLARIZING KEY POSITION (NOTE4)
NO MARK: NORMAL POSITION
X: "X" POSITION
※: "X" POSITION (注4) (X: "X" POSITION)

MODIFICATION NUMBER (NOTE3)
モディファイ番号 (注3)

CONTACT SIZE (K: #20)
コンタクトサイズ (K: #20)

TERMINATION (F: SOLDER TYPE)
結線方法 (F: 半田結線)

NUMBER OF CONTACTS (4 CONTACTS)
芯数 (4芯)

SHELL SIZE
シェルサイズ

MOUNTING CONFIGURATION (F: ANGLE PLUG)
接合形状 (F: アングルプラグ)

SERIES
シリーズ

- NOTE1. CONTACT POSITION NUMBER & COMPANY LOGO "JAE" ARE MARKED AS INDICATED.
2. EARTH MARK (⊕) IS MARKED AS INDICATED.
3. THE APPLICABLE CABLE IS SPECIFIED IN THE PART NUMBER, PART NUMBER, THE APPLICABLE CABLE DIAMETER AND THE COLOR OF BUSHING ARE LISTED IN THE TABLE-1.
4. THE LOCATION OF KEY IS DIFFERENT BETWEEN NORMAL POSITION AND "X" POSITION TO PREVENT MISMATING. PART NUMBER OF "X" POSITION CONNECTOR HAS THE SUFFIX "X" FOR THE POLARIZATION.
- 注1. 図示の位置に端子番号及び社名を表示する。
2. 図示の位置にアースマーク(⊕)を表示する。
3. 本製品は、品名により適用ケーブル(ブッシング)が異なる。品名、適用ケーブル径及び色相は表-1による。
4. ノーマルポジションとXポジションはキーの位置が異なり、誤嵌合を防止する。Xポジションは誤嵌合防止として、品名の末尾にXが付く。

12	FLANGE	1	ZINC ALLOY	ZINC PLATING	COLOR: BLACK SYSTEM INTERFERENCE COLOR
11	SPRING PIN	2	STAINLESS STEEL		
10	GRUND NUT	1	SYNTHETIC RESIN		COLOR: BLACK
9	BUSHING	1	SYNTHETIC RUBBER		NOTE3
8	ANGLE ENDBELL	1	SYNTHETIC RESIN		COLOR: BLACK
7	ASSEMBLY NUT	1	ZINC ALLOY	ZINC PLATING	COLOR: BLACK SYSTEM INTERFERENCE COLOR
6	SPRING	1	STAINLESS STEEL		
5	COUPLING NUT	1	ZINC ALLOY	ZINC PLATING	COLOR: BLACK SYSTEM INTERFERENCE COLOR
4	"O" RING	2	SYNTHETIC RUBBER		
3	REAR INSULATOR	1	SYNTHETIC RESIN		COLOR: BLACK
2	SOCKET CONTACT	4	COPPER ALLOY	SILVER PLATING	
1	FRONT INSULATOR	1	SYNTHETIC RESIN		COLOR: BLACK

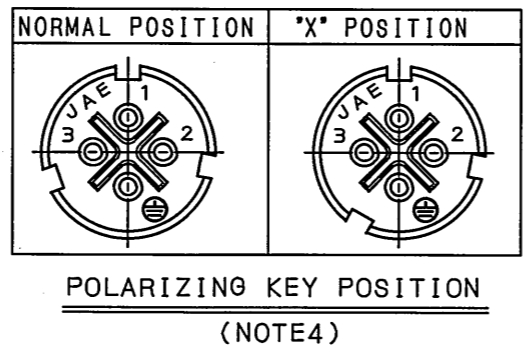


TABLE-1 【APPLICABLE WIRE DIM.】

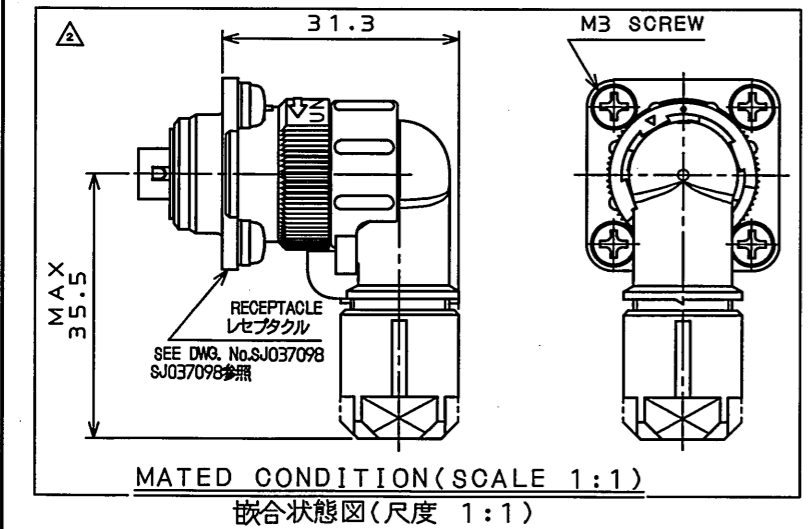
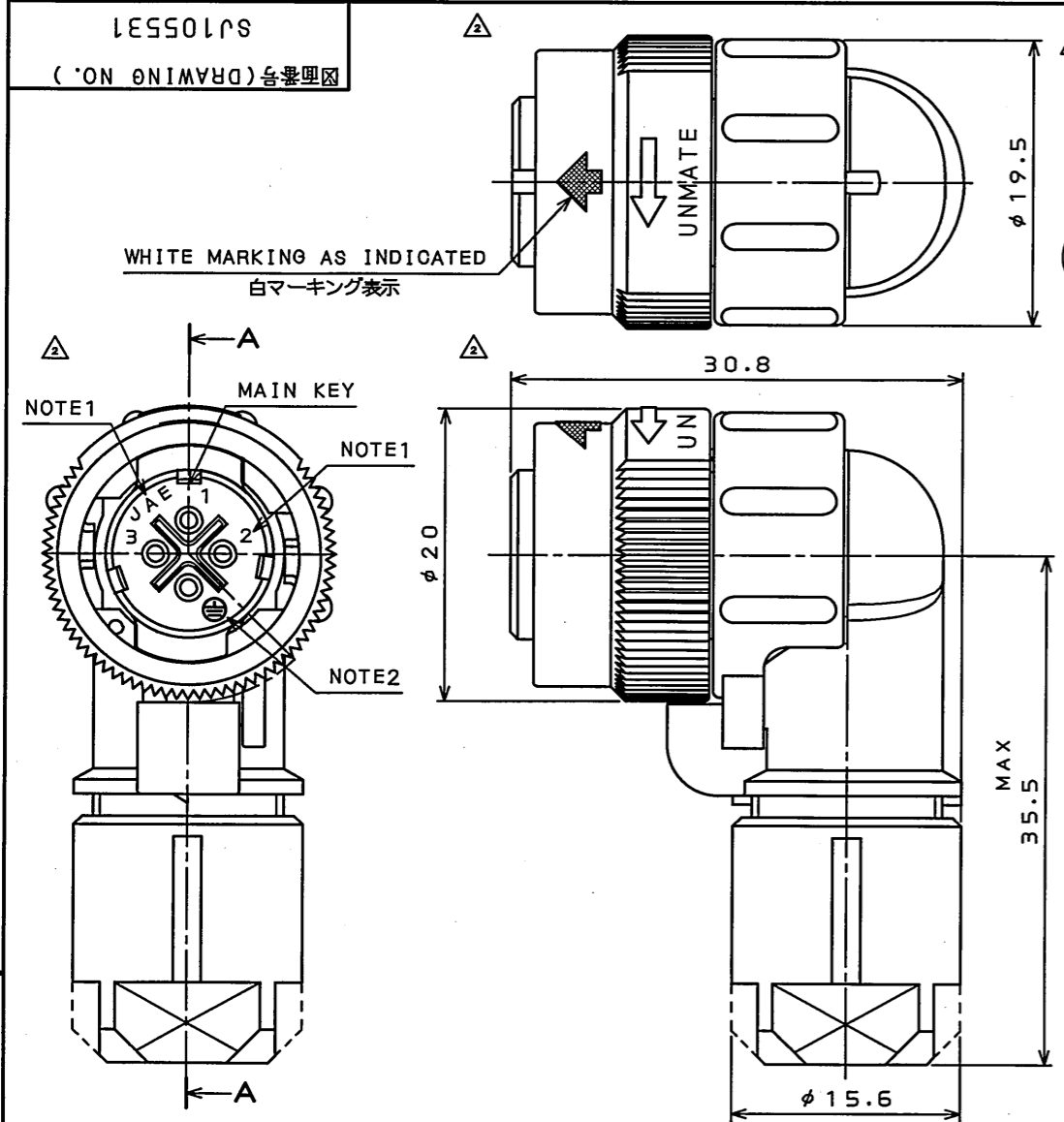
PART NUMBER	APPLICABLE WIRE DIM.	BUSHING COLOR
JN2FS04FK 1-R	φ5.7~7.3	BLACK
JN2FS04FK 2-R	φ6.5~8.0	GRAY

仕様書 (SPECIFICATION)	第1版 (ORIGINAL DATE)	尺度 (SCALE)	シリーズ (SERIES)
JACS-5119-2 (Product specifications) JAHL-5119 (A product instruction manual)	16.Dec.2005	2: 1	JN2
公差 (GENERAL TOLERANCE)	製図 DR.	名称 (TITLE)	
寸法 (DIMENSION) 角度 (ANGLES)	H.SAKURADA	JN2FS04FK ※ ※ - R	
. ±0.8 ° ±	担当 CHK. M.NITTA	ANGLE PLUG (アングルプラグ)	
.X ±0.4 °X ±	査閲 APPD. E.MATSUMOTO	質量 (MASS)	
.XX ±0.1 °XX ±	承認 APPD. A.ONOGAWA		
.XXX ±			

日本航空電子工業株式会社
JAPAN AVIATION ELECTRONICS INDUSTRY, LTD.

図面番号 (DRAWING NO.) SJ105531

版数 (REV.) 3



SPECIFICATION

NUMBER OF CONTACTS : 4X#20

RATED VOLTAGE : 400VAC POLLUTION DEGREE/2, △ OVER VOLTAGE CATEGORY/Ⅲ

RATED CURRENT : 5A MAX. per CONTACT

DIELECTRIC WITHSTANDING VOLTAGE : 2000VAC

INSULATION RESISTANCE : 1000MΩMIN. (AT 500VDC)

APPLICABLE CABLE : 1.25mm MAX

AIR LEAKAGE : IP67 (MATED)

仕様

コンタクト : #20コンタクト 4本

定格電圧 : 400VAC (汚染度: 2 / 過電圧範疇: Ⅲ)

定格電流 : 5A以下 / 1芯

耐電圧 : 2000VAC

絶縁抵抗 : 1000MΩ以上 (500VDCにて)

適用ケーブル : 1.25mm以下 (被覆外径φ2.7以下)

防水性能 : IP67 (嵌合時)

