



Chipsmall Limited consists of a professional team with an average of over 10 year of expertise in the distribution of electronic components. Based in Hongkong, we have already established firm and mutual-benefit business relationships with customers from,Europe,America and south Asia,supplying obsolete and hard-to-find components to meet their specific needs.

With the principle of “Quality Parts,Customers Priority,Honest Operation,and Considerate Service”,our business mainly focus on the distribution of electronic components. Line cards we deal with include Microchip,ALPS,ROHM,Xilinx,Pulse,ON,Everlight and Freescale. Main products comprise IC,Modules,Potentiometer,IC Socket,Relay,Connector.Our parts cover such applications as commercial,industrial, and automotives areas.

We are looking forward to setting up business relationship with you and hope to provide you with the best service and solution. Let us make a better world for our industry!



## Contact us

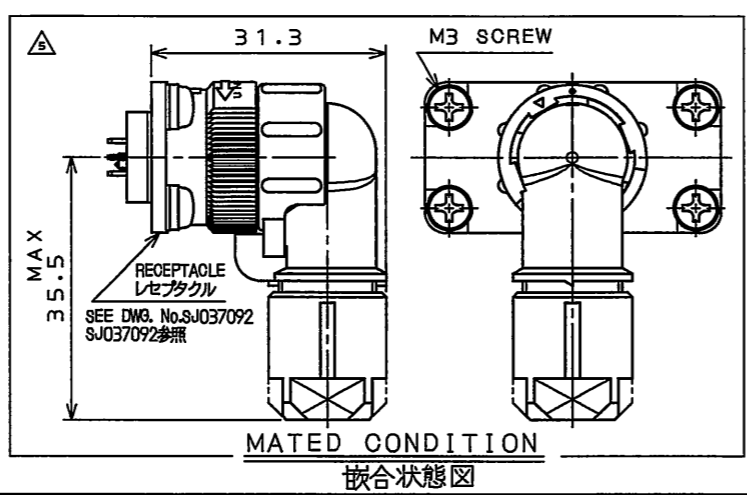
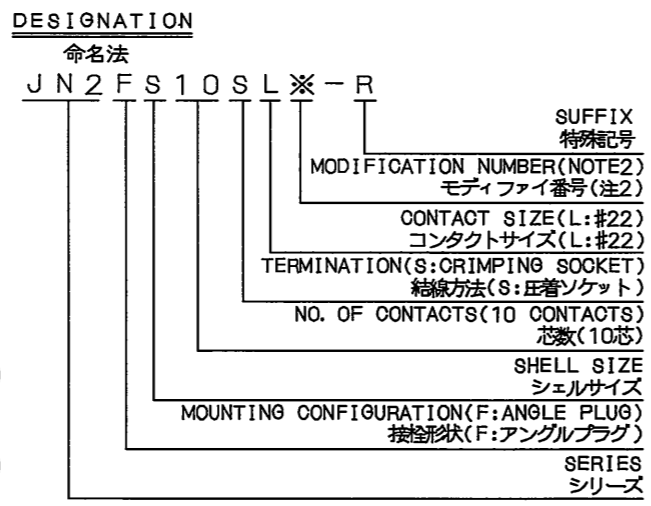
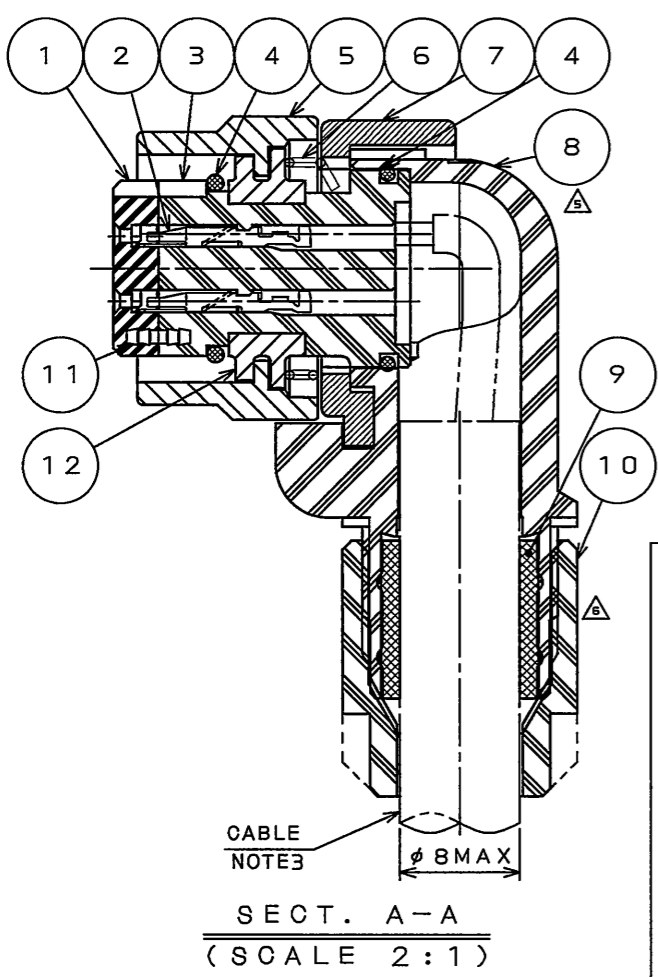
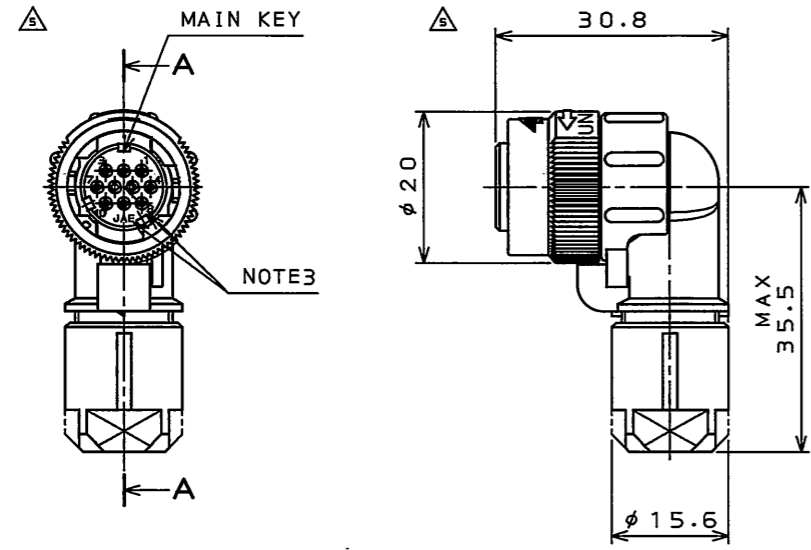
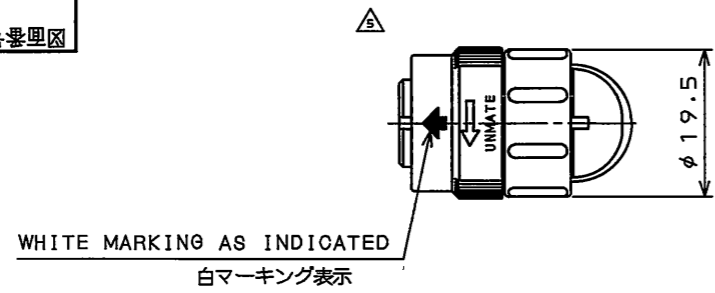
Tel: +86-755-8981 8866 Fax: +86-755-8427 6832

Email & Skype: info@chipsmall.com Web: www.chipsmall.com

Address: A1208, Overseas Decoration Building, #122 Zhenhua RD., Futian, Shenzhen, China



8Z5501RS  
(ON ENIMARU) 台型図



版数 REV.	年月日 DATE	DCN NO.	変更内容 DESCRIPTION	製図 DR.	担当 CHK.	査閲 APPD.	承認 APPD.
5	15.Nov.2007	064235	REVISED FORM	T.TAKESHITA	T.SUZUKI		E.MATSUMOTO
6	15.Oct.2009	067605	REVISED FORM		H.NAKAJIMA	T.OKAHURA	E.MATSUMOTO

- NOTE1. CONTACTS ARE SOLD SEPARATELY. THE APPLICABLE CONTACTS ARE LISTED IN THE TABLE-1.  
 2. THE PART NUMBER SHALL SPECIFY THE AVAILABILITY OF THE BUSHING, AND THE APPLICABLE CABLE SIZE.  
 SEE TABLE-2 FOR RESPECTIVE PART NUMBERS, THEIR APPLICABLE CABLES, AND THEIR BUSHING COLORS.  
 3. CONTACT POSITION NUMBER & COMPANY LOGO "JAE" ARE MARKED AS INDICATED.  
 4. CONFIRM THE HANDING MANUAL FOR THE DETAILS OF WIRE SPECIFICATION IN THE TABLE-1.  
 5. JIG ADJUSTMENT IS REQUIRED WHEN USING 350-D02-2.  
 注1. コンタクトは別売り品であり、適用コンタクトは表-1による。  
 2. 本製品は品名によりブッシング部品 ⊕ の有無及び、適用ケーブルが異なる。品名、ブッシングの有無、適用ケーブル及び、色相は表-2による。  
 3. 図示の位置に端子番号及び社名を表示する。  
 4. 電線仕様詳細は、表-1の工具取扱説明書を確認してください。  
 5. 350-D02-2を使用する場合は、治具の調整が必要となります。

TABLE-1【APPLICABLE GRIMP CONTACT】

CONTACT SIZE コンタクト サイズ	PIECE 区分	APPLICABLE CONTACTS 適用コンタクト品名		TYPE タイプ	APPLICABLE WIRE (NOTE4) 適用電線(注4) AWG No.	TYPE 工具種別	APPLICABLE TOOL AND APPLICABLE WIRE 適用工具と適用電線		TOOL HANDLING MANUAL 工具取扱説明書
		SOCKET CONTACT ソケットコンタクト	DWG No. 製品図番						
#22	INDIVIDUAL (100 CABLES) バラ状(100本)	JN1-22-20S-R-PK0100	SJ035503	PRESS プレス	#20	MANUAL 手動	CT150-2-JN1-E	#21, #23, #25	T700253
		JN1-22-22S-PK0100			#21~#25		CT150-2-JN1-D	#20, #25	
		JN1-22-26S-PK0100			#26~#28		CT150-2-JN1-B	#22~#24, #26~#28	
	REELS (10000 CABLES) リール状(10000本)	JN1-22-20S-R-10000	SJ035504	PRESS プレス	#20	SEMI- AUTOMATIC 半自動	350-JN1-2C OR 350-D02-2(NOTE5)	#20~#28	T703294
		JN1-22-22S-10000			#21~#25		T703082		
		JN1-22-26S-10000			#26~#28				

TABLE-2【APPLICABLE WIRE DIM.】

PART NUMBER 品名	BUSHING	APPLICABLE WIRE DIM. 適用ケーブル径	BUSHING COLOR ブッシングの色相
JN2FS10SL1-R	WITH	φ57~73	BLACK
JN2FS10SL2-R	WITH	φ65~80	GRAY
JN2FS10SL3-R	WITH	φ35~50	BRICK
JN2FS10SLN-R	WITHOUT	WITHOUT BUSHING (★)	

★ PLEASE PURCHASE THE BUSHING USABLE FOR APPLICABLE CABLE SIZE.  
 DETAILED CONTENTS REFER TO A PRODUCT DRAWING "SJ100301"  
 ★ 適用ケーブル径に合せブッシングを購入下さい。詳細は、SJ100103を参照下さい。

SPECIFICATION		仕様
NUMBER OF CONTACT	: 10X#22	コンタクト : #22コンタクト 10本
RATED VOLTAGE	: 200VAC MAX	定格電圧 : 200VAC以下
RATED CURRENT	: 3A MAX. per CONTACT	定格電流 : 3A以下/1芯
DIELECTRIC WITHSTANDING VOLTAGE	: 900VAC	耐電圧 : 900VAC
INSULATION RESISTANCE	: 1000ΩMIN. (AT 500VDC)	絶縁抵抗 : 1000Ω以上(500VDCにて)
APPLICABLE CABLE	: SEE NOTE2	適用ケーブル : 注2
SUBMERSIBLE PROPERTY	: IP67 (MATED)	防水性能 : IP67(嵌合時)

FLANGE	PIN	GLAND NUT	BUSHING	ANGLE ENDBELL	ASSEMBLY NUT	SPRING	COUPLING NUT	"O" RING	REAR INSULATOR	SOCKET CONTACT	FRONT INSULATOR
12	11	10	9	8	7	6	5	4	3	2	1
1	2	1	1	1	1	1	1	2	1	10	1
ZINC ALLOY	COPPER ALLOY	SYNTHETIC RESIN	SYNTHETIC RUBBER	SYNTHETIC RESIN	ZINC ALLOY	STAINLESS STEEL	ZINC ALLOY	SYNTHETIC RUBBER	SYNTHETIC RESIN	COPPER ALLOY	SYNTHETIC RESIN
ZINC PLATING	NICKEL PLATING				ZINC PLATING		ZINC PLATING			GOLD PLATING (0.1 μmMIN)	
COLOR:BLACK SYSTEM INTERFERENCE COLOR		COLOR:BLACK	NOTE2	COLOR:BLACK	COLOR:BLACK SYSTEM INTERFERENCE COLOR		COLOR:BLACK SYSTEM INTERFERENCE COLOR	COLOR:BLACK	COLOR:BLACK	SOLD SEPARATELY(NOTE1)	COLOR:BLACK

符号 NO.	名称 DESCRIPTION	個数 QTY.	材料 MATERIAL	仕上 FINISH	備考 REMARKS
仕様書(SPECIFICATION)	JAGS-5119 (Product specifications)	第1版(ORIGINAL DATE)	16.Dec.2005	尺度(SCALE)	1:1
製図(DR.)	H.SAKURADA	シリーズ(SERIES)	JN2	名称(TITLE)	JN2FS10SL※-R (ANGLE PLUG) (アングルプラグ)
担当(CHEK.)	M.NITTA	製図(DR.)	H.SAKURADA	図面番号(DRAWING NO.)	SJ105528
査閲(APPD.)	E.MATSUMOTO	承認(APPD.)	A.ONOGAWA	版数(REV.)	6
質量(MASS)					