



Chipsmall Limited consists of a professional team with an average of over 10 year of expertise in the distribution of electronic components. Based in Hongkong, we have already established firm and mutual-benefit business relationships with customers from,Europe,America and south Asia,supplying obsolete and hard-to-find components to meet their specific needs.

With the principle of “Quality Parts,Customers Priority,Honest Operation,and Considerate Service”,our business mainly focus on the distribution of electronic components. Line cards we deal with include Microchip,ALPS,ROHM,Xilinx,Pulse,ON,Everlight and Freescale. Main products comprise IC,Modules,Potentiometer,IC Socket,Relay,Connector.Our parts cover such applications as commercial,industrial, and automotives areas.

We are looking forward to setting up business relationship with you and hope to provide you with the best service and solution. Let us make a better world for our industry!



## Contact us

Tel: +86-755-8981 8866 Fax: +86-755-8427 6832

Email & Skype: info@chipsmall.com Web: www.chipsmall.com

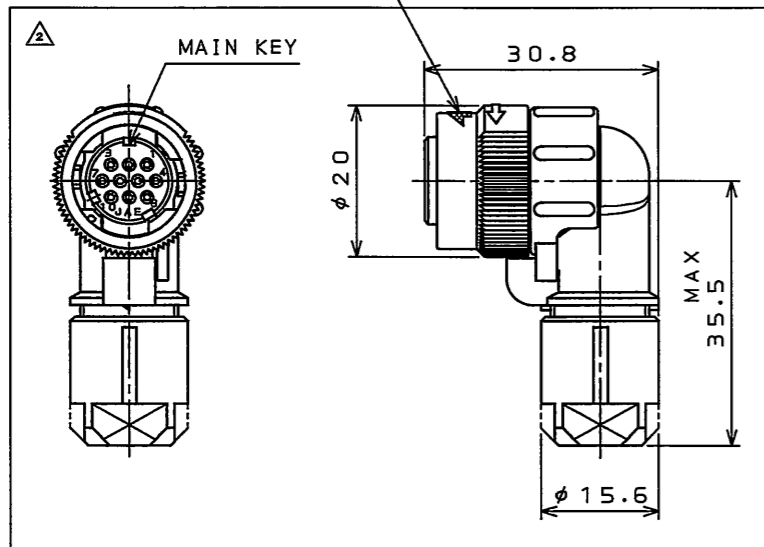
Address: A1208, Overseas Decoration Building, #122 Zhenhua RD., Futian, Shenzhen, China



E5501RS  
( 'ON 0NIMVHD) 台 号 理 図

版 数 REV.	年 月 日 DATE	DCN NO.	変 更 内 容 DESCRIPTION	製 図 DR.	担 当 CHK.	査 閲 APPD.	承 認 APPD.
2	15.Nov.2007	064235	REVISED FORM	T.TAKESHITA	T.SUZUKI	—	E.MATSUMOTO
3	15.Oct.2009	067605	REVISED FORM	—	H.NAKAJIMA	TOKAMURA	E.Matsumoto

WHITE MARKING AS INDICATED  
白マーキング表示



ASSEMBLY FORM  
組立状態図

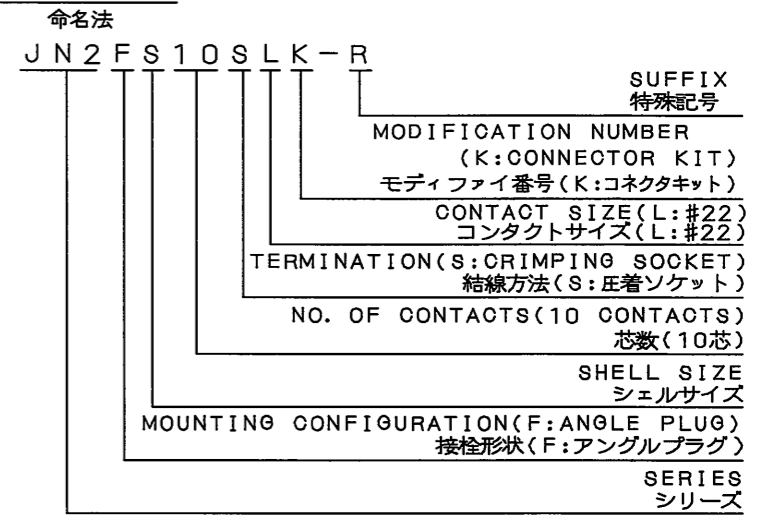
**SPECIFICATION**

NUMBER OF CONTACTS : 10×#22  
 RATED VOLTAGE : 200VAC MAX  
 RATED CURRENT : 3A MAX. per CONTACT  
 DIELECTRIC WITHSTANDING VOLTAGE : 900VAC  
 INSULATION RESISTANCE : 1000MΩMIN. (AT 500VDC)  
 APPLICABLE CABLE : AWG#21~#25 (NOTE1)  
 AIR LEAKAGE : IP67 (MATED)

**仕様**

コンタクト : #22コンタクト 10本  
 定格電圧 : 200VAC以下  
 定格電流 : 3A以下/1芯  
 耐電圧 : 900VAC  
 絶縁抵抗 : 1000MΩ以上(500VDCにて)  
 適用ケーブル: AWG#21~#25(注1)  
 防水性能 : IP67(嵌合時)

**DESIGNATION**

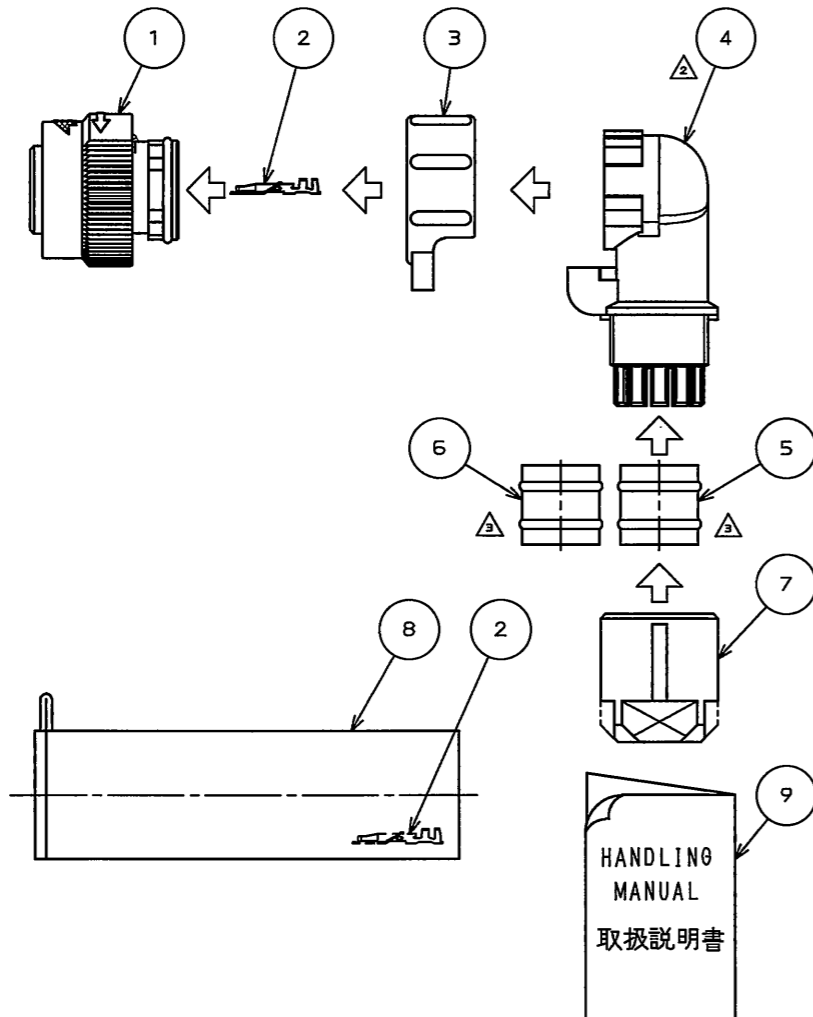


- NOTE1. PLEASE SELECT THE BUSHING USABLE FOR APPLICABLE CABLE SIZE.(SEE TABLE1)  
 2. PLEASE REFER THE HANDLING MANUAL ATTACHED WITH THE CONNECTOR FOR CONNECTOR TERMINATION METHOD.  
 3. PER THE CUSTOMER-USE DRAWING SJ037095.

- 注1.適用ケーブル径に合せブッシングを選択下さい。(表1を参照下さい)  
 2.コネクタ結線方法は製品に添付されている取扱説明書を参考にして下さい。  
 3.製品図面は、SJ037095による。

TABLE-1【APPLICABLE WIRE DIM.】

BUSHING COLOR ブッシングの色相	APPLICABLE WIRE DIM. 適用ケーブル径
BLACK	φ 5.7 ~ 7.3
GRAY	φ 6.5 ~ 8.0



9	HANDLING MANUAL	1	—	—	—
8	CASE	1	SYNTHETIC RESIN	—	—
7	GRUND NUT	1	SYNTHETIC RESIN	—	COLOR:BLACK
6	BUSHING(GRAY)	1	SYNTHETIC RUBBER	—	NOTE1
5	BUSHING(BLACK)	1	SYNTHETIC RUBBER	—	NOTE1
4	ANGLE ENDBELL	1	SYNTHETIC RESIN	—	COLOR:BLACK
3	ASSEMBLY NUT	1	ZINC ALLOY	ZINC PLATING	COLOR:BLACK SYSTEM INTERFERENCE COLOR
2	SOCKET CONTACT	10	COPPER ALLOY	GOLD PLATING(0.1μmMIN)	SOLD SEPARATELY(NOTE1)
1	CONNECTOR	1	—	—	COLOR:BLACK
符号 NO.	名 称 DESCRIPTION	個 数 QTY.	材 料 MATERIAL	仕 上 FINISH	備 考 REMARKS
仕様書(SPECIFICATION) JACS-5119 JABL-5119		第1版(ORIGINAL DATE) 16.Dec.2005		尺 度(SCALE) 1:1	シ リ ー ス(SERIES) JN2
一般公差(GENERAL TOLERANCE)		製 図 DR. H.SAKURADA		名 称(TITLE) JAPAN AVIATION ELECTRONICS INDUSTRY, LTD.	
寸法(DIMENSION)   角度(ANGLES)		担 当 CHK. M.NITTA		JN2FS10SLK-R (コネクタキット)	
. ±0.8 X° ±		査 閲 APPD. E.MATSUMOTO		図面番号(DRAWING NO.) SJ105533	
.X ±0.4 X°X'±		承 認 APPD. A.ONOGAWA		版 数 (REV.) 3	
.XX ±0.1				質量(MASS)	
.XXX ±					