



Chipsmall Limited consists of a professional team with an average of over 10 year of expertise in the distribution of electronic components. Based in Hongkong, we have already established firm and mutual-benefit business relationships with customers from,Europe,America and south Asia,supplying obsolete and hard-to-find components to meet their specific needs.

With the principle of “Quality Parts,Customers Priority,Honest Operation,and Considerate Service”,our business mainly focus on the distribution of electronic components. Line cards we deal with include Microchip,ALPS,ROHM,Xilinx,Pulse,ON,Everlight and Freescale. Main products comprise IC,Modules,Potentiometer,IC Socket,Relay,Connector.Our parts cover such applications as commercial,industrial, and automotives areas.

We are looking forward to setting up business relationship with you and hope to provide you with the best service and solution. Let us make a better world for our industry!



Contact us

Tel: +86-755-8981 8866 Fax: +86-755-8427 6832

Email & Skype: info@chipsmall.com Web: www.chipsmall.com

Address: A1208, Overseas Decoration Building, #122 Zhenhua RD., Futian, Shenzhen, China



E155010S

(ON ONIMVHD)台票與圖

SPECIFICATION

RATED CURRENT : 7A MAX.(PER CONTACT)
DIELECTRIC WITHSTANDING VOLTAGE: 1500VAC(FOR 1 MINUTE)
INSULATION RESISTANCE : 1000MΩ MIN.(AT 500VDC)
APPLICABLE CABLE OUTER DIAMETER: φ6±0.5

仕様

定格電流 : 7A以下(1芯当り)
耐電圧 : 1500VAC 1分間
絶縁抵抗 : 1000MΩ以上(500VDCにて)
適合ケーブル外径: φ6±0.5

DESIGNATION

命名法

JN6FS04SJ※
MODIFICATION (SEE TABLE 1)
CONTACT SIZE
CONTACT CONFIGURATION (S: CRIMP SOCKET CONTACT)
NO. OF CONTACTS
SHELL SIZE
RECEPTACLE CONFIGURATION (F: ANGLE PLUG)

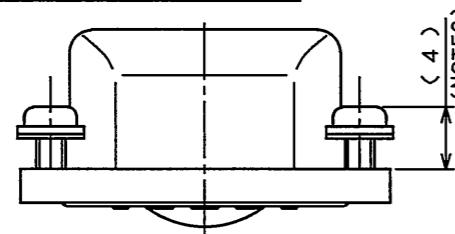
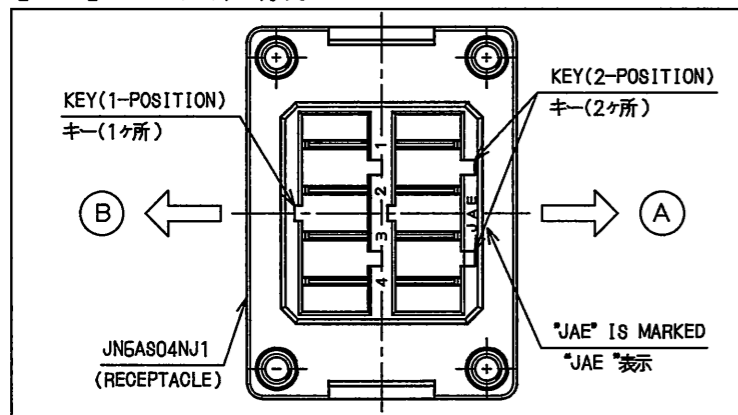


FIG.1 CABLE LEAD-OUT DIRECTION

【図1】ケーブル引出方向



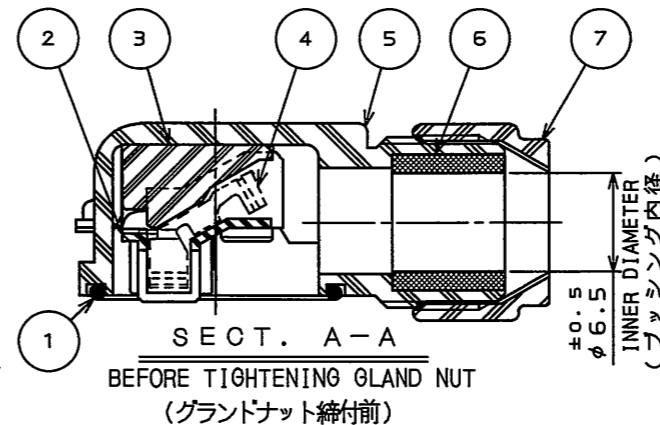
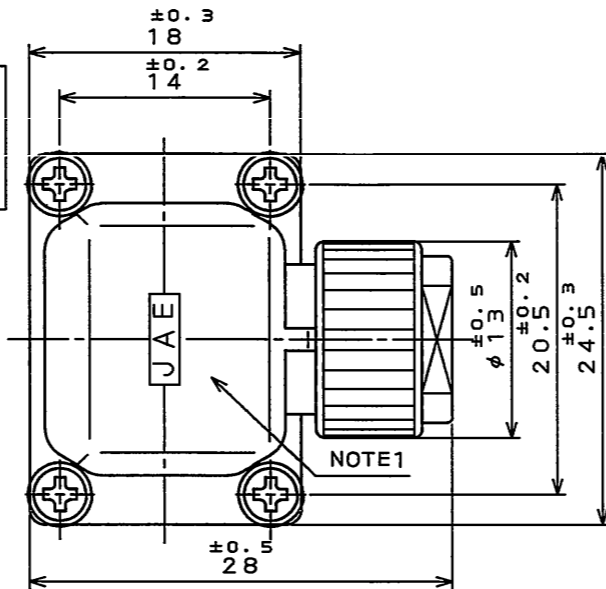
NOTE1.NO. OF CONTACTS AND THE PART NUMBER ARE MARKED AS SHOWN IN THE DRAWING.

- 2.SCREW ARE TENTATIVELY FIXED.
3.BASE INSULATOR IS DIFFERENT PER PART NUMBER.
BY EXCHANGING PART NUMBER OF PLUG, CABLE EXTENDING DIRECTION IS REVERSED 180 DEGREES. (SEE TABLE-1)
THIS DRAWING SHOWS JN6FS04SJ1. JN6FS04SJ2 IS SHOWN IN FIGURE 2.
4.SOCKET CONTACTS ARE SOLD SEPARATELY.
PART NUMBER OF APPLICABLE CRIMP SOCKET CONTACT IS SHOWN IN TABLE 2.

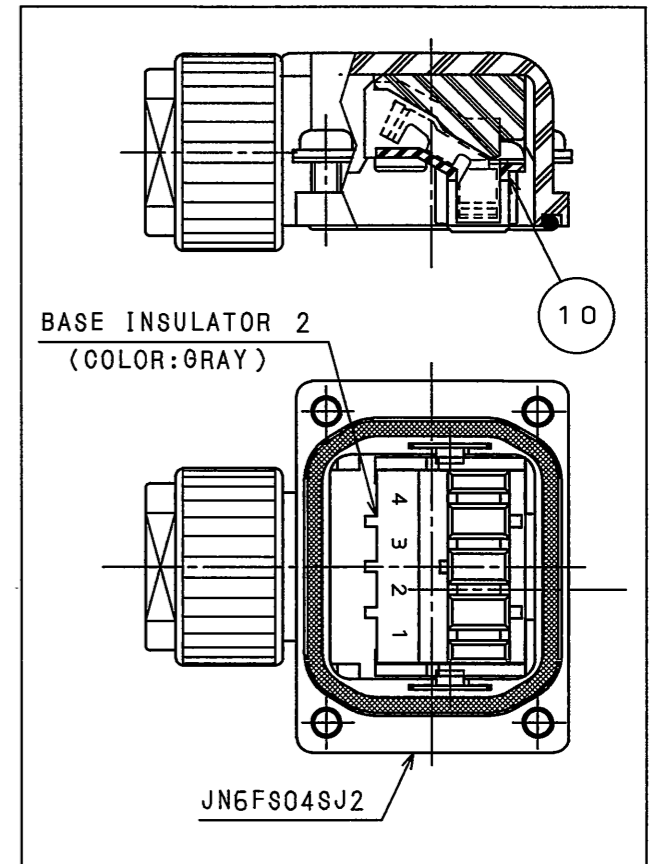
【TABLE 2】APPLICABLE CRIMP SOCKET CONTACT

Table with 5 columns: CLASSIFICATION, APPLICABLE CONTACT PART NUMBER, APPLICABLE WIRE, INSULATION OUTER DIAMETER, SJ DRAWING NO.

Revision table with columns: REV., DATE, DCN NO., DESCRIPTION, DR., CHK., APPD., APPD.



【FIG.2】JN6FS04SJ2



【TABLE 1】PART NUMBER CLASSIFICATION

【表1】品名区分

Table with 3 columns: PART NUMBER, CABLE LEAD-OUT DIRECTION, BASE INSULATOR COLOR.

Main parts list table with columns: PART NO., DESCRIPTION, QTY., MATERIAL, FINISH, REMARKS.

Technical specification table with columns: SPECIFICATION, ORIGINAL DATE, SCALE, SERIES, TITLE, DRAWING NO., MASS.

DOF-0-212F(05.08)

