



Chipsmall Limited consists of a professional team with an average of over 10 year of expertise in the distribution of electronic components. Based in Hongkong, we have already established firm and mutual-benefit business relationships with customers from,Europe,America and south Asia,supplying obsolete and hard-to-find components to meet their specific needs.

With the principle of "Quality Parts,Customers Priority,Honest Operation,and Considerate Service",our business mainly focus on the distribution of electronic components. Line cards we deal with include Microchip,ALPS,ROHM,Xilinx,Pulse,ON,Everlight and Freescale. Main products comprise IC,Modules,Potentiometer,IC Socket,Relay,Connector.Our parts cover such applications as commercial,industrial, and automotives areas.

We are looking forward to setting up business relationship with you and hope to provide you with the best service and solution. Let us make a better world for our industry!



## Contact us

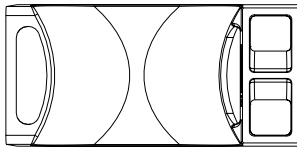
Tel: +86-755-8981 8866 Fax: +86-755-8427 6832

Email & Skype: info@chipsmall.com Web: www.chipsmall.com

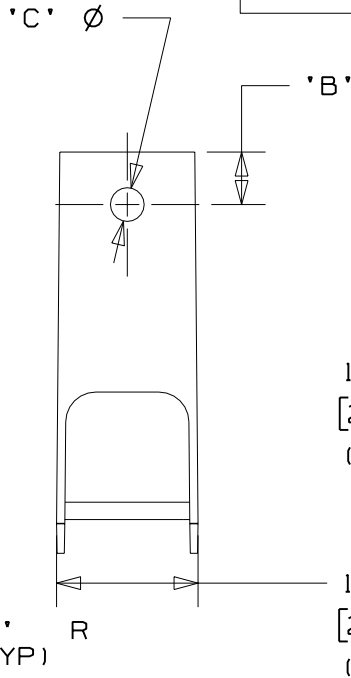
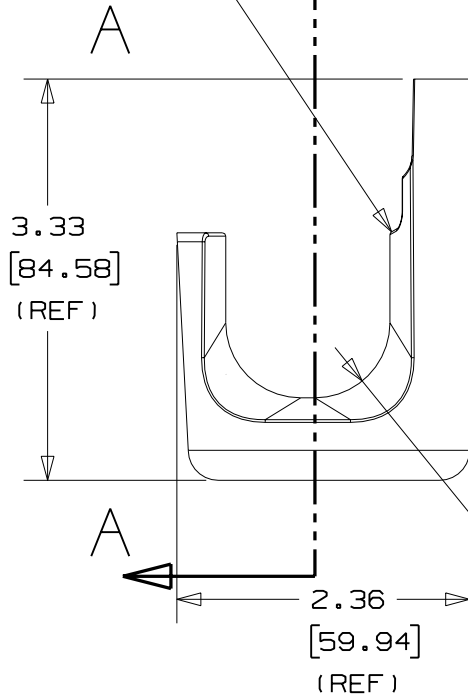
Address: A1208, Overseas Decoration Building, #122 Zhenhua RD., Futian, Shenzhen, China



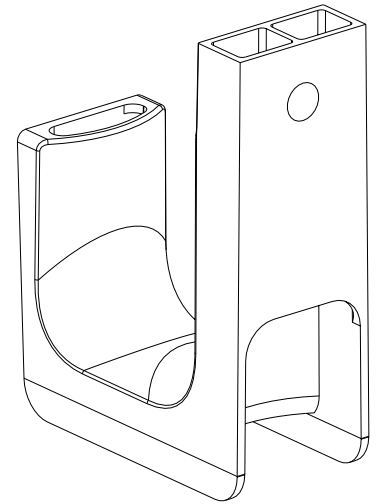
THIS COPY IS PROVIDED ON A RESTRICTED BASIS AND IS NOT TO BE USED IN ANY WAY DETRIMENTAL TO THE INTERESTS OF PANDUIT CORP.



TAK-TY SLOT



SECTION A-A  
(BEND RADIUS CONTROL)



PANDUIT PART NO.	DIMENSIONS			WEIGHT lbs 10 (g) pcs
	'A'	'B'	'C'	
JP131W- ---	0.66 (16.76) (REF)	0.44 (11.18)	0.270 (6.89)	0.45 (204.12)

NOTES:

- SEE CURRENT PRICE SHEET FOR PART NUMBER SUFFIX DESIGNATION FOR PACKAGE SIZE AND PRODUCT COLOR.
- MATERIAL: NYLON 6/6
- PRODUCT IS DESIGNED TO SUPPORT A MAXIMUM 1 5/16" (33.34) DIAMETER BUNDLE, RECOMMENDED MAXIMUM STATIC LOAD: 25 lbs.
- PRODUCT INCORPORATES FEATURES ALLOWING USER TO RETAIN CABLE BUNDLES IN J-PRO J-HOOK WITH TAK-TY CABLE TIES UP TO 3/4" WIDE.
- PRODUCT MARKINGS:  
 cULus logo and statement:  
 "SUITABLE FOR USE IN AIR HANDLING SPACES IN ACCORDANCE WITH SECTION 300-22 (C) & (D) OF THE NATIONAL ELECTRIC CODE."  
 ULC logo and statement:  
 "IN ACCORDANCE WITH CAN/ULC S-102.2 IN SINGLE UNITS OR PAIRS, 4 ft (1220mm) MIN. SPACING, FSR=0, SDC=20."

DIMENSIONS IN BRACKETS ARE METRIC [ mm ]

CAD FILENAME/LAYERS

G03043CC\_PB\_JP131W\_00

**PANDUIT**

CORP. TINLEY PARK, ILLINOIS

J-PRO J-HOOK  
WALL MOUNT  
(JP131W- ---)

UNLESS OTHERWISE SPECIFIED,  
DIMENSIONAL TOLERANCES ARE:  
(.X) ±0.05 (1.31) (.XXX) ±0.010 (0.25)  
(.XX) ±0.02 (0.5) ANGLES ± 5°

UNLESS OTHERWISE SPECIFIED,  
ALL DIMENSIONS ARE GIVEN  
IN INCHES, THIRD ANGLE PROJECTION.

DRAWN BY JAD

MAT'L:

SCALE NONE

DATE 1/19/06

SEE NOTE 2

DRAWING NO.

GB3043CC

DWG

SIZE

R	1/19/06	JAD		INITIAL RELEASE	GB3043CC	R			
REV	DATE	BY	CHK	DESCRIPTION	ECN	R	CUST	SUP	