



Chipsmall Limited consists of a professional team with an average of over 10 year of expertise in the distribution of electronic components. Based in Hongkong, we have already established firm and mutual-benefit business relationships with customers from,Europe,America and south Asia,supplying obsolete and hard-to-find components to meet their specific needs.

With the principle of “Quality Parts,Customers Priority,Honest Operation,and Considerate Service”,our business mainly focus on the distribution of electronic components. Line cards we deal with include Microchip,ALPS,ROHM,Xilinx,Pulse,ON,Everlight and Freescale. Main products comprise IC,Modules,Potentiometer,IC Socket,Relay,Connector.Our parts cover such applications as commercial,industrial, and automotives areas.

We are looking forward to setting up business relationship with you and hope to provide you with the best service and solution. Let us make a better world for our industry!



Contact us

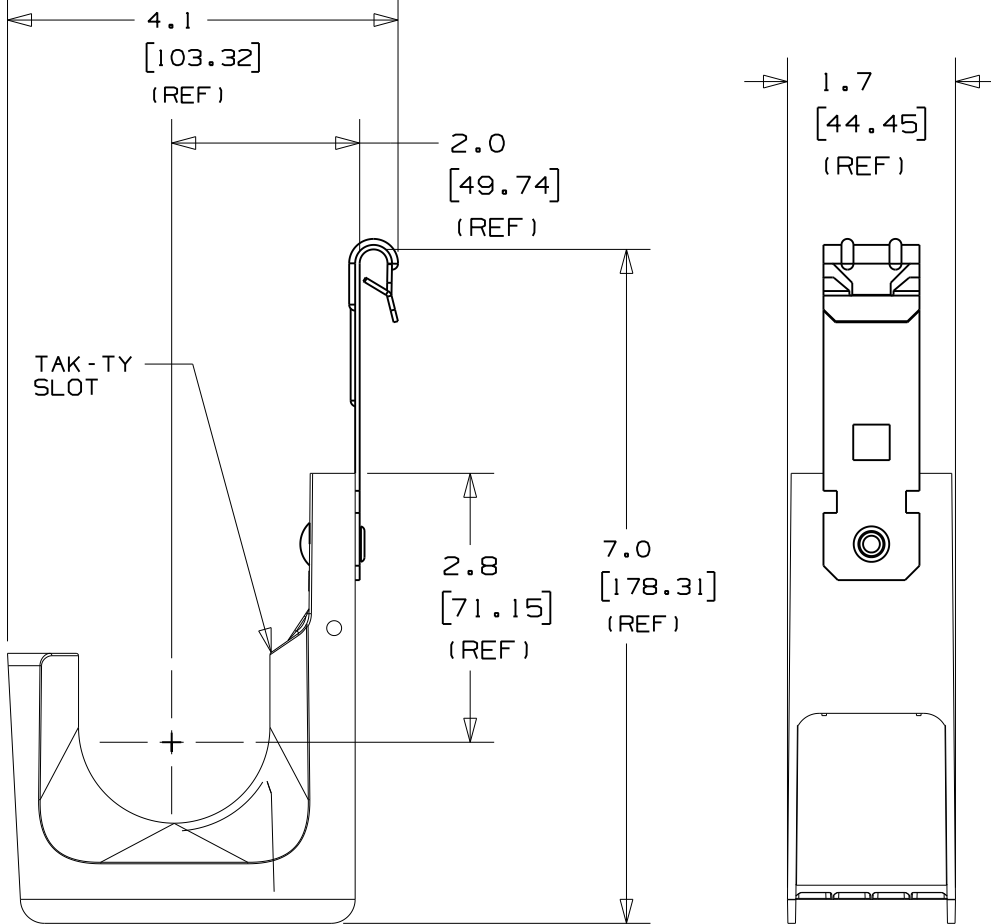
Tel: +86-755-8981 8866 Fax: +86-755-8427 6832

Email & Skype: info@chipsmall.com Web: www.chipsmall.com

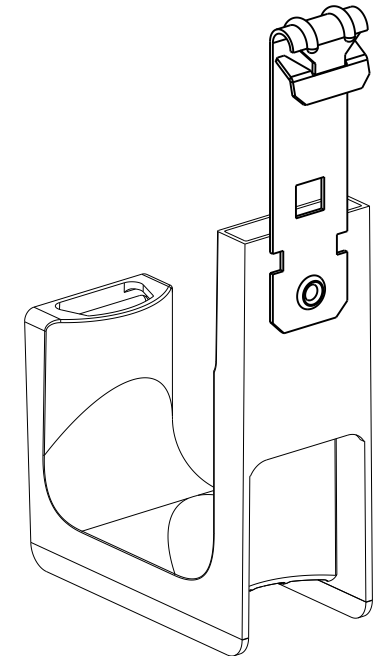
Address: A1208, Overseas Decoration Building, #122 Zhenhua RD., Futian, Shenzhen, China



THIS COPY IS PROVIDED ON A RESTRICTED BASIS AND IS NOT TO BE USED IN ANY WAY DETRIMENTAL TO THE INTERESTS OF PANDUIT CORP.



PANDUIT PART NO.	FLANGE THICKNESS	WEIGHT lbs 10 (g) pcs
JP2CP- ----	0.0625 (1.59) - 0.25 (6.35)	1.58 (720.0)



NOTES:

- SEE CURRENT PRICE SHEET FOR PART NUMBER SUFFIX DESIGNATION FOR PACKAGE SIZE AND PRODUCT COLOR.
- HOOK MATERIAL: NYLON 6/6
CLIP MATERIAL: SPRING STEEL
RIVET MATERIAL: ALUMINUM
- PRODUCT IS DESIGNED TO SUPPORT A MAXIMUM OF 2" (50.8) DIAMETER BUNDLE. MAXIMUM RECOMMENDED STATIC LOAD: 30 lbs.
- PRODUCT INCORPORATES FEATURES ALLOWING USER TO RETAIN CABLE BUNDLES IN J-PRO J-HOOK WITH TAK-TY CABLE TIES UP TO 3/4" WIDE.
- PRODUCT MARKINGS:
cULus logo and statement:
"SUITABLE FOR USE IN AIR HANDLING SPACES IN ACCORDANCE WITH SECTION 300-22 (C) & (D) OF THE NATIONAL ELECTRIC CODE."
ULC logo and statement:
"IN ACCORDANCE WITH CAN/ULC S-102.2 IN SINGLE UNITS OR PAIRS, 4 ft (1220mm) MIN. SPACING, FSR=0, SDC=20."

DIMENSIONS IN BRACKETS ARE METRIC [mm]

CAD FILENAME/LAYERS 10K016BB_DC_GB2888FF/01A

PANDUIT CORP. TINLEY PARK, ILLINOIS

J-PRO J-HOOK WITH
C-PURLIN CLIP
(JP2CP- ----)

UNLESS OTHERWISE SPECIFIED,
DIMENSIONAL TOLERANCES ARE:
(.X) ±0.05 (1.3) (.XXX) ±0.010 (0.25)
(.XX) ±0.02 (0.5) ANGLES ± 5°

UNLESS OTHERWISE SPECIFIED,
ALL DIMENSIONS ARE GIVEN
IN INCHES, THIRD ANGLE PROJECTION.

REV	DATE	BY	CHK	DESCRIPTION	ECN	R	CUST	SUP	OC	DRAWN BY	JAD	MAT'L:	SCALE	DRAWING NO.	DWG SIZE
O1A	10/26/10	APW	DJW	REVISED DIMENSIONS, UPDATED TO TEAMCENTER FORMAT	GB2888FF		O1A	KLN					NONE		
1	12/14/05	JAD		COMPLETELY REVISED, RE-RELEASE WITH NEW GEOMETRY	GB2888FF		1			DATE	4/7/04	SEE NOTE 2		GB2888FF	A
										CHK'D	KLN				