



Chipsmall Limited consists of a professional team with an average of over 10 year of expertise in the distribution of electronic components. Based in Hongkong, we have already established firm and mutual-benefit business relationships with customers from,Europe,America and south Asia,supplying obsolete and hard-to-find components to meet their specific needs.

With the principle of "Quality Parts,Customers Priority,Honest Operation,and Considerate Service",our business mainly focus on the distribution of electronic components. Line cards we deal with include Microchip,ALPS,ROHM,Xilinx,Pulse,ON,Everlight and Freescale. Main products comprise IC,Modules,Potentiometer,IC Socket,Relay,Connector.Our parts cover such applications as commercial,industrial, and automotives areas.

We are looking forward to setting up business relationship with you and hope to provide you with the best service and solution. Let us make a better world for our industry!



## Contact us

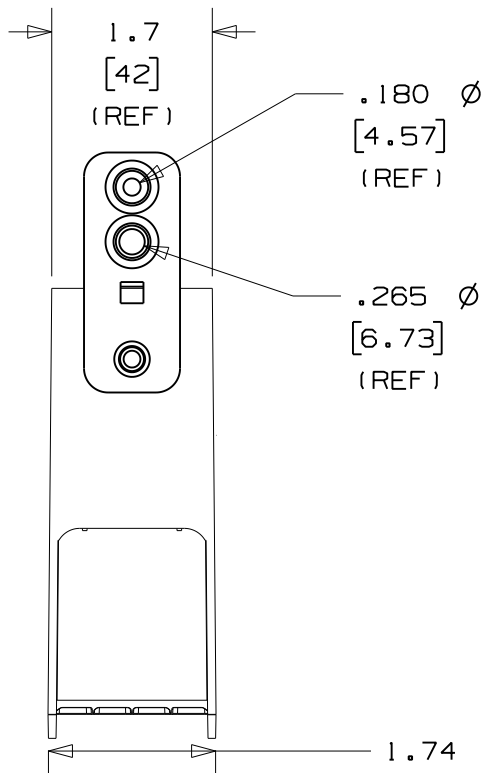
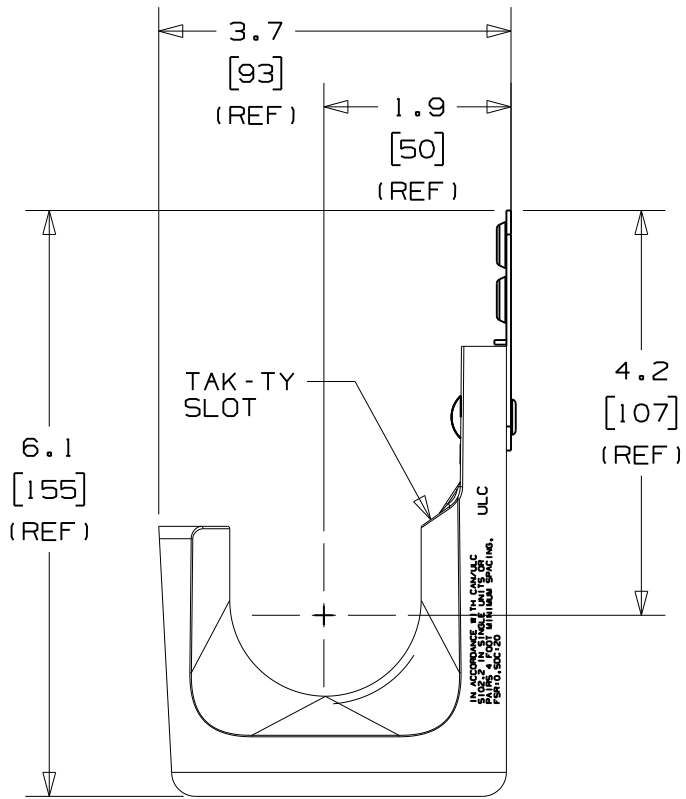
Tel: +86-755-8981 8866 Fax: +86-755-8427 6832

Email & Skype: [info@chipsmall.com](mailto:info@chipsmall.com) Web: [www.chipsmall.com](http://www.chipsmall.com)

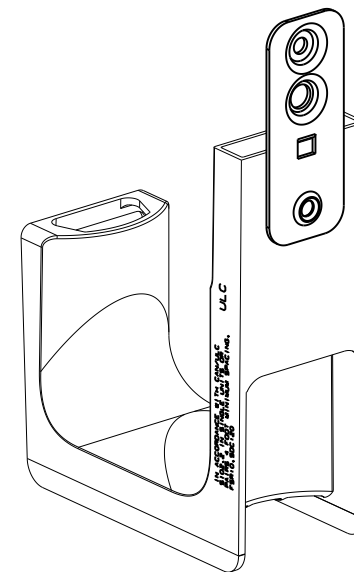
Address: A1208, Overseas Decoration Building, #122 Zhenhua RD., Futian, Shenzhen, China



THIS COPY IS PROVIDED ON A RESTRICTED BASIS AND IS NOT TO BE USED IN ANY WAY DETRIMENTAL TO THE INTERESTS OF PANDUIT CORP.



PANDUIT PART NO.	WEIGHT lbs 10 (g) pcs
JP2WP2B- ---	2.57 (1166)



- NOTES:
- SEE CURRENT PRICE SHEET FOR PART NUMBER SUFFIX DESIGNATION FOR PACKAGE SIZE AND PRODUCT COLOR.
  - HOOK MATERIAL: NYLON 6/6  
PLATE MATERIAL: PRE-GALVANIZED STEEL  
RIVET MATERIAL: ALUMINUM
  - PRODUCT IS DESIGNED TO SUPPORT A MAXIMUM OF 2" (50.8) DIAMETER BUNDLE. MAXIMUM RECOMMENDED STATIC LOAD: 30 lbs.
  - PRODUCT INCORPORATES FEATURES ALLOWING USER TO RETAIN CABLE BUNDLES IN J-PRO J-HOOK WITH TAK-TY CABLE TIES UP TO 3/4" WIDE.
  - PRODUCT MARKINGS:

cULus logo and statement:  
"SUITABLE FOR USE IN AIR HANDLING SPACES IN ACCORDANCE WITH SECTION 300-22 (C) & (D) OF THE NATIONAL ELECTRIC CODE."  
"FOR USE INDOORS"

ULC logo and statement:  
"IN ACCORDANCE WITH CAN/ULC S-102.2-10 MOUNTED IN SINGLE UNITS OR PAIRS, MINIMUM SPACING 4 ft (1220mm) BETWEEN MOUNT POINTS FSR=0, SDC=35."

TITLE  
J-PRO J-HOOK WITH PLATE FOR  
POWDER ACTUATED FASTENERS  
(JP2WP2B- ---)  
CUSTOMER DRAWING

ITEM REVISION NAME  
121031AG/00

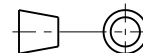
DATASET FILE NAME  
121031AG\_DC\_C11006/00A

UNLESS OTHERWISE SPECIFIED,  
DIMENSIONAL TOLERANCES ARE: IN (mm)  
.x : .1 (2.54) .xxx : .005 (0.127)  
.xx : .01 (0.25) ANGLES : 5°

**PANDUIT**<sup>TM</sup>

MATERIAL:  
SEE NOTE 2

DRAWING NUMBER:  
**C11006**



THIRD ANGLE  
PROJECTION

DRAWN BY: DBLA DATE: 10/28/2012 CHK: KLN SCALE: NONE

SHT 1 OF 1

SIZE  
A

REV	DATE	BY	CHK	APR	DESCRIPTION	ECN
00	10/28/2012	DBLA	GGC	KLN	INITIAL RELEASE	GAECN00225

D101000A/12