



Chipsmall Limited consists of a professional team with an average of over 10 year of expertise in the distribution of electronic components. Based in Hongkong, we have already established firm and mutual-benefit business relationships with customers from,Europe,America and south Asia,supplying obsolete and hard-to-find components to meet their specific needs.

With the principle of “Quality Parts,Customers Priority,Honest Operation,and Considerate Service”,our business mainly focus on the distribution of electronic components. Line cards we deal with include Microchip,ALPS,ROHM,Xilinx,Pulse,ON,Everlight and Freescale. Main products comprise IC,Modules,Potentiometer,IC Socket,Relay,Connector.Our parts cover such applications as commercial,industrial, and automotives areas.

We are looking forward to setting up business relationship with you and hope to provide you with the best service and solution. Let us make a better world for our industry!



Contact us

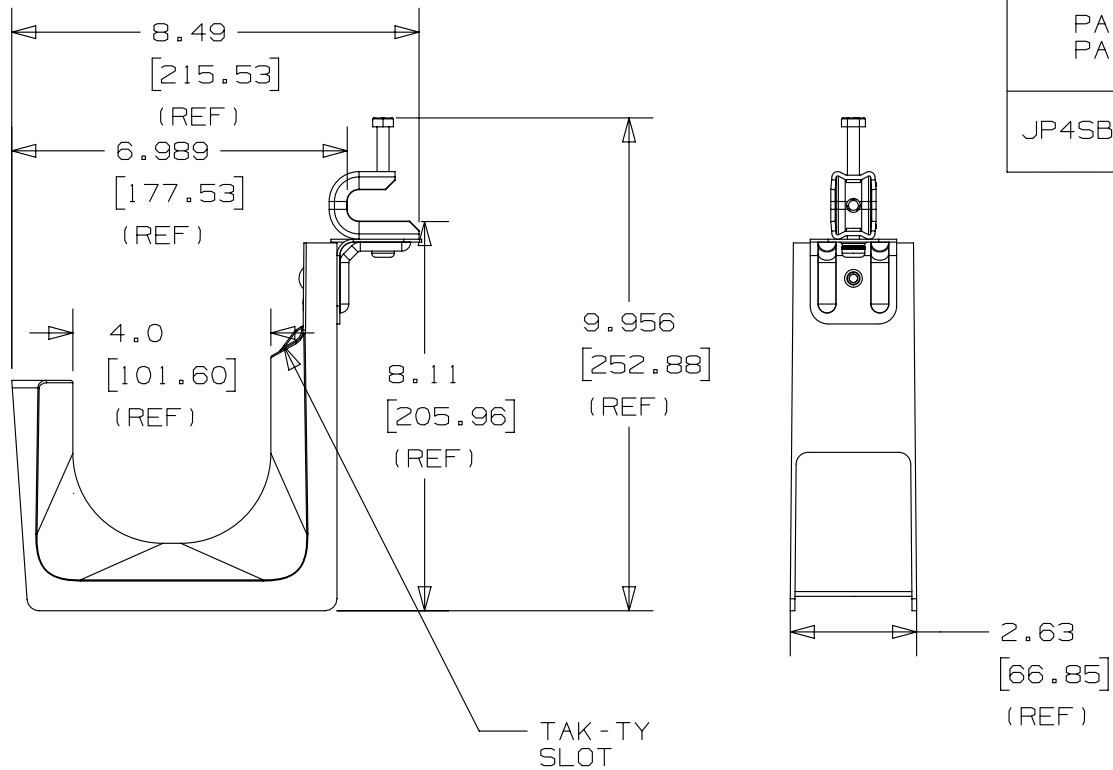
Tel: +86-755-8981 8866 Fax: +86-755-8427 6832

Email & Skype: info@chipsmall.com Web: www.chipsmall.com

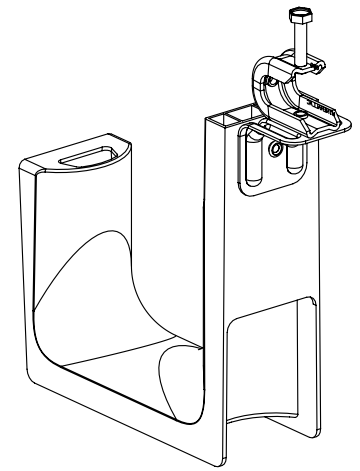
Address: A1208, Overseas Decoration Building, #122 Zhenhua RD., Futian, Shenzhen, China



THIS COPY IS PROVIDED ON A RESTRICTED BASIS AND IS NOT TO BE USED IN ANY WAY DETRIMENTAL TO THE INTERESTS OF PANDUIT CORP.



PANDUIT PART NO.	FLANGE THICKNESS	WEIGHT 10pcs lbs (g)
JP4SBC50RB----	UP TO 0.50 [12.7]	6.36 (2884)



- NOTES:
- SEE CURRENT PRICE SHEET FOR PART NUMBER SUFFIX DESIGNATION FOR PACKAGE SIZE AND PRODUCT COLOR.
 - HOOK MATERIAL: NYLON 6/6
ANGLE BRACKET MATERIAL: PRE-GALVANIZED STEEL
RIVET MATERIAL: ALUMINUM
CLAMP MATERIAL: PLATED STEEL
BOLT/WASHER MATERIAL: ZINC PLATED STEEL
 - PRODUCT IS DESIGNED TO SUPPORT A MAXIMUM OF 4" (19.05) DIAMETER BUNDLE. MAXIMUM RECOMMENDED STATIC LOAD: 50 lbs.
 - PRODUCT INCORPORATES FEATURES ALLOWING USER TO RETAIN CABLE BUNDLES IN J-PRO J-HOOK WITH TAK-TY CABLE TIES UP TO 3/4" WIDE.
 - PRODUCT MARKINGS:
cULus logo and statement:
"SUITABLE FOR USE IN AIR HANDLING SPACES IN ACCORDANCE WITH SECTION 300-22 (C) & (D) OF THE NATIONAL ELECTRIC CODE."
ULC logo and statement:
"IN ACCORDANCE WITH CAN/ULC S-102.2-10 IN SINGLE UNITS , MINIMUM 4 ft (1220mm) MIN. SPACING, FSR=0, SDC=35."

TITLE		J-PRO J-HOOK WITH 360° SCREW-ON BEAM CLAMP (JP4SBC50RB----)	
ITEM REVISION NAME		CUSTOMER DRAWING	
DATASET FILE NAME		121031AP/00	
UNLESS OTHERWISE SPECIFIED, DIMENSIONAL TOLERANCES ARE: IN (mm)		PANDUIT TM	
.x ± .1 [2.54]		.xxx ± .005 [0.127]	
.xx ± .01 [0.25]		ANGLES ± 5°	
DRAWING NUMBER:		SEE NOTE 2	
DRAWN BY		C11015	
DATE		SHT 1 OF 1	
CHK		A	
SCALE		NONE	
THIRD ANGLE PROJECTION			

REV	DATE	BY	CHK	APR	DESCRIPTION	ECN
OO	1/25/2013	DBLA	GGC	KLN	INITIAL RELEASE	GAECN00419

D10100DA/12

2

1

2

1