



Chipsmall Limited consists of a professional team with an average of over 10 year of expertise in the distribution of electronic components. Based in Hongkong, we have already established firm and mutual-benefit business relationships with customers from,Europe,America and south Asia,supplying obsolete and hard-to-find components to meet their specific needs.

With the principle of "Quality Parts,Customers Priority,Honest Operation,and Considerate Service",our business mainly focus on the distribution of electronic components. Line cards we deal with include Microchip,ALPS,ROHM,Xilinx,Pulse,ON,Everlight and Freescale. Main products comprise IC,Modules,Potentiometer,IC Socket,Relay,Connector.Our parts cover such applications as commercial,industrial, and automotives areas.

We are looking forward to setting up business relationship with you and hope to provide you with the best service and solution. Let us make a better world for our industry!



Contact us

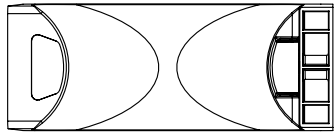
Tel: +86-755-8981 8866 Fax: +86-755-8427 6832

Email & Skype: info@chipsmall.com Web: www.chipsmall.com

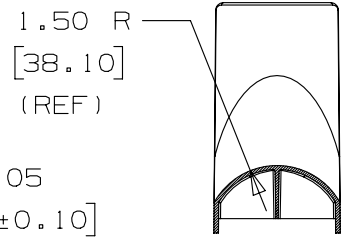
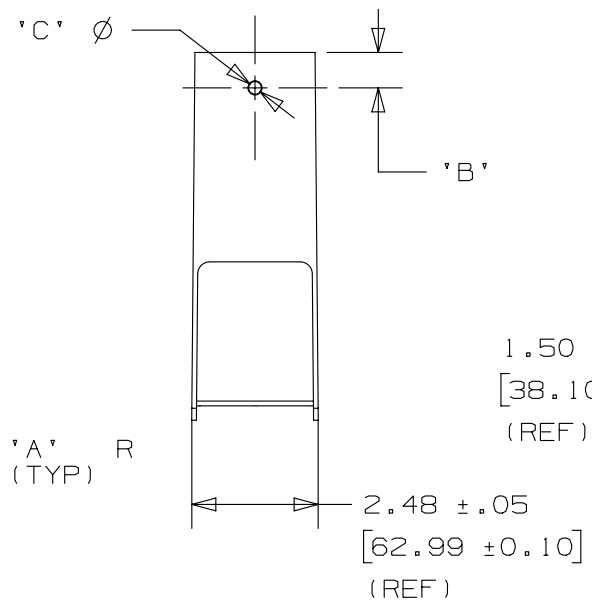
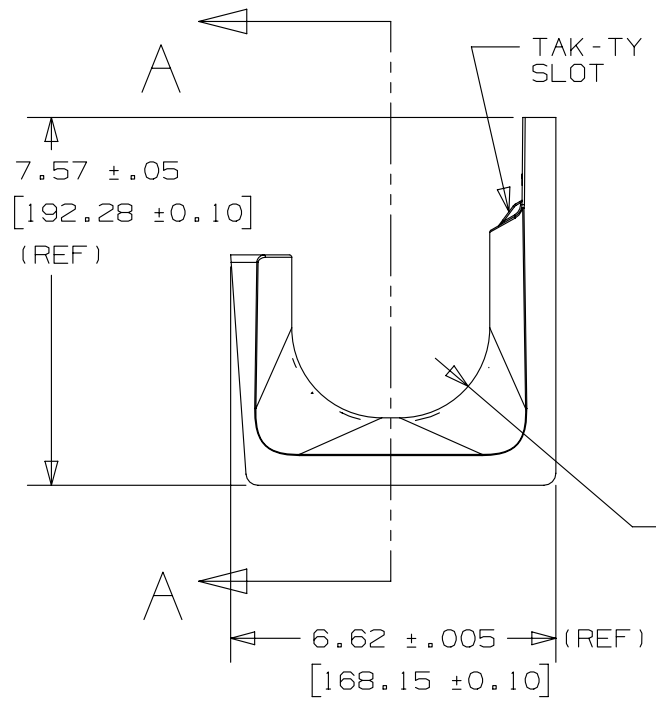
Address: A1208, Overseas Decoration Building, #122 Zhenhua RD., Futian, Shenzhen, China



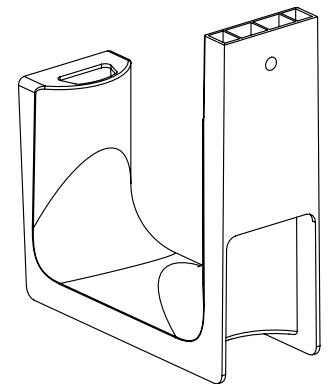
THIS COPY IS PROVIDED ON A RESTRICTED BASIS AND IS NOT TO BE USED IN ANY WAY DETRIMENTAL TO THE INTERESTS OF PANDUIT CORP.



PANDUIT PART NO.	DIMENSIONS			WEIGHT lbs 10 (g) pcs
	'A'	'B'	'C'	
JP4W- ---	2.00 (50.80) (REF)	0.72 (18.3)	0.272 ±.01 (6.60)	3.84 (1742)



SECTION A-A
(BEND RADIUS CONTROL)



- NOTES:
- SEE CURRENT PRICE SHEET FOR PART NUMBER SUFFIX DESIGNATION FOR PACKAGE SIZE AND PRODUCT COLOR.
 - MATERIAL: NYLON 6/6
 - PRODUCT IS DESIGNED TO SUPPORT A MAXIMUM 4.0" (101.6) DIAMETER BUNDLE, J-HOOKS SPACED MIN 4" & MAX 5" INTERVALS.
 - PRODUCT INCORPORATES FEATURES ALLOWING USER TO RETAIN CABLE BUNDLES IN J-PRO J-HOOK WITH TAK-TY CABLE TIES UP TO 3/4" WIDE.
 - PRODUCT MARKINGS:
 - cULus logo and statement:
 "SUITABLE FOR USE IN AIR HANDLING SPACES IN ACCORDANCE WITH SECTION 300-22 (C) & (D) OF THE NATIONAL ELECTRIC CODE IN SINGLE UNIT CONFIGURATION ONLY."
 - ULC logo and statement:
 "IN ACCORDANCE WITH CAN/ULC S-102.2-10 IN SINGLE UNITS OR PAIRS, 4 ft (1220mm) MIN. SPACING, FSR=0, SDC=35."

REV	DATE	BY	CHK	APR	DESCRIPTION	ECN
03	3/6/2013	DBLA	DJW	KLN	CHANGE DIMENSION 'C'	GAECN00628
02	11/5/2012	DBLA	GGC	KLN	NOTE 5 UPDATED CAN/ULC S-102.2-10	GAECN00391
01	10/15/12	DBLA	GGC	KLN	CHANGED MATERIAL, DIMENSIONS AND SDC RATING, UPDATED DRAWING BOARDER	GAECN00345
R	2/10/06	JAD			INITIAL RELEASE	GB3043DC

TITLE					
J-PRO J-HOOK WALL MOUNT : JP4W					
CUSTOMER DRAWING					
ITEM REVISION NAME			G03043DA/10		
DATASET FILE NAME			G0304DA_DC_GB3043DC/10C		
UNLESS OTHERWISE SPECIFIED, DIMENSIONAL TOLERANCES ARE: IN [mm]			MATERIAL:		
.x ± .1 [2.54]		.xxx ± .005 [.127]		NYLON 6/6	
.xx ± .01 [.25]		ANGLES ± 5 °		DRAWING NUMBER:	
THIRD ANGLE PROJECTION		GB3043DC			
DRAWN BY	DATE	CHK	SCALE	SHT 1 OF 1	SIZE
JAD	2/10/2012		1:4		A

D10100DA/12