



Chipsmall Limited consists of a professional team with an average of over 10 year of expertise in the distribution of electronic components. Based in Hongkong, we have already established firm and mutual-benefit business relationships with customers from,Europe,America and south Asia,supplying obsolete and hard-to-find components to meet their specific needs.

With the principle of “Quality Parts,Customers Priority,Honest Operation,and Considerate Service”,our business mainly focus on the distribution of electronic components. Line cards we deal with include Microchip,ALPS,ROHM,Xilinx,Pulse,ON,Everlight and Freescale. Main products comprise IC,Modules,Potentiometer,IC Socket,Relay,Connector.Our parts cover such applications as commercial,industrial, and automotives areas.

We are looking forward to setting up business relationship with you and hope to provide you with the best service and solution. Let us make a better world for our industry!



Contact us

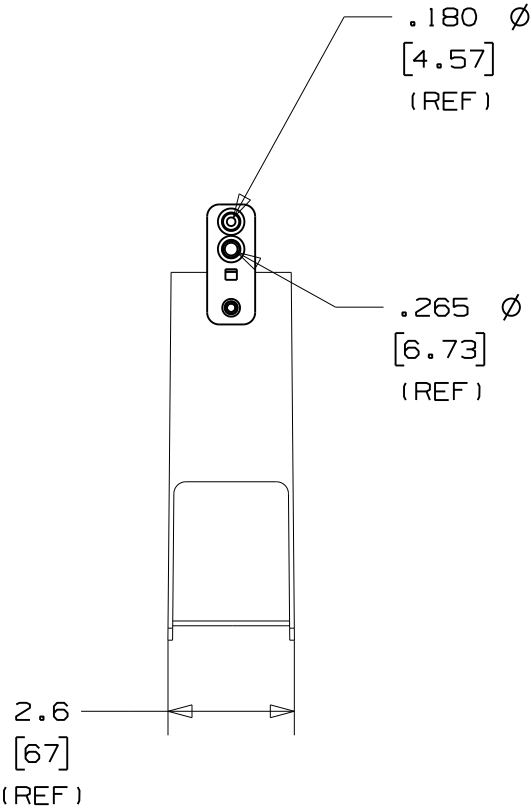
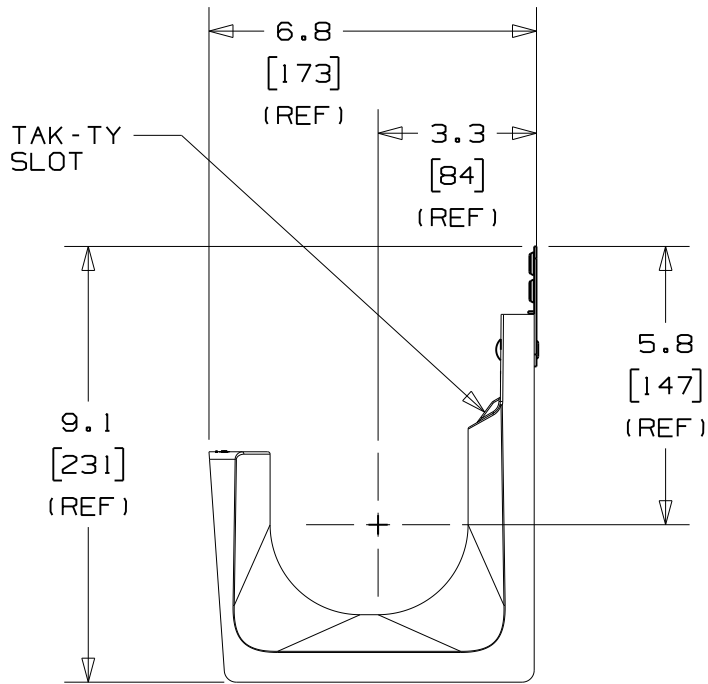
Tel: +86-755-8981 8866 Fax: +86-755-8427 6832

Email & Skype: info@chipsmall.com Web: www.chipsmall.com

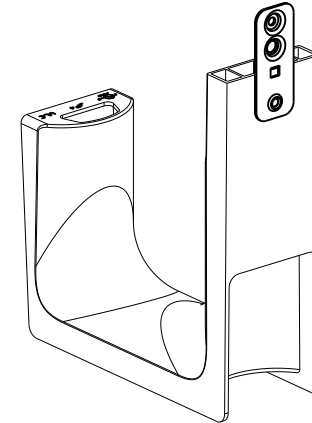
Address: A1208, Overseas Decoration Building, #122 Zhenhua RD., Futian, Shenzhen, China



THIS COPY IS PROVIDED ON A RESTRICTED BASIS AND IS NOT TO BE USED IN ANY WAY DETRIMENTAL TO THE INTERESTS OF PANDUIT CORP.



PANDUIT PART NO.	WEIGHT lbs 10 (g) pcs
JP4WP2B- ---	4.42 (2009)



- NOTES:
- SEE CURRENT PRICE SHEET FOR PART NUMBER SUFFIX DESIGNATION FOR PACKAGE SIZE AND PRODUCT COLOR.
 - HOOK MATERIAL: NYLON 6/6
PLATE MATERIAL: PRE-GALVANIZED STEEL
RIVET MATERIAL: ALUMINUM
 - PRODUCT IS DESIGNED TO SUPPORT A MAXIMUM OF 4.0" (101.6) DIAMETER BUNDLE. MAXIMUM RECOMMENDED STATIC LOAD: 100 lbs.
 - PRODUCT INCORPORATES FEATURES ALLOWING USER TO RETAIN CABLE BUNDLES IN J-PRO J-HOOK WITH TAK-TY CABLE TIES UP TO 3/4" WIDE.
 - PRODUCT MARKINGS:
cULus logo and statement:
"SUITABLE FOR USE IN AIR HANDLING SPACES IN ACCORDANCE WITH SECTION 300-22 (C) & (D) OF THE NATIONAL ELECTRIC CODE IN SINGLE UNIT CONFIGURATION ONLY, FOR USE INDOORS"
ULC logo and statement:
"LISTED IN ACCORDANCE WITH CAN/ULC S-102.2-10 MOUNTED IN SINGLE UNITS, MINIMUM SPACING OF 4ft (1220mm) BETWEEN MOUNT POINTS. FSR=0, SDC=35"

TITLE J-PRO J-HOOK WITH PLATE FOR POWDER ACTUATED FASTENERS (JP4WP2B- ---) CUSTOMER DRAWING		PANDUIT TM
ITEM REVISION NAME 121031AH/00	MATERIAL: SEE NOTE 2	
DATASET FILE NAME 121031AH_DC_C11007/00A		DRAWING NUMBER: C11007
UNLESS OTHERWISE SPECIFIED, DIMENSIONAL TOLERANCES ARE: IN (mm) .x : .1 (2.54) .xxx : .005 (0.127) .xx : .01 (0.25) ANGLES : 5 °		
THIRD ANGLE PROJECTION		
DRAWN BY DBLA	DATE 10/29/2012	CHK KLN
SCALE NONE		SIZE A
SHT 1 OF 1		

OO	10/29/2012	DBLA	GGC	KLN	INITIAL RELEASE	GAECN00226
REV	DATE	BY	CHK	APR	DESCRIPTION	ECN

D101000A/12