



Chipsmall Limited consists of a professional team with an average of over 10 year of expertise in the distribution of electronic components. Based in Hongkong, we have already established firm and mutual-benefit business relationships with customers from,Europe,America and south Asia,supplying obsolete and hard-to-find components to meet their specific needs.

With the principle of “Quality Parts,Customers Priority,Honest Operation,and Considerate Service”,our business mainly focus on the distribution of electronic components. Line cards we deal with include Microchip,ALPS,ROHM,Xilinx,Pulse,ON,Everlight and Freescale. Main products comprise IC,Modules,Potentiometer,IC Socket,Relay,Connector.Our parts cover such applications as commercial,industrial, and automotives areas.

We are looking forward to setting up business relationship with you and hope to provide you with the best service and solution. Let us make a better world for our industry!



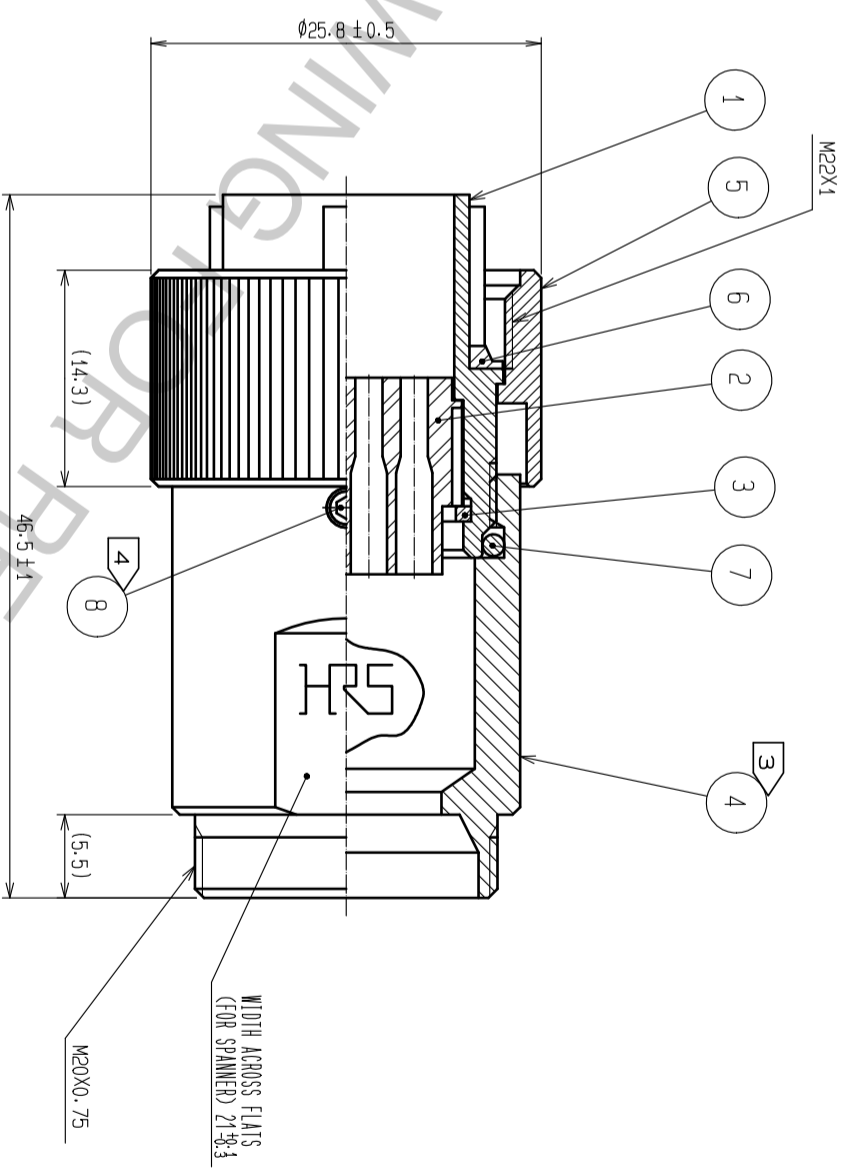
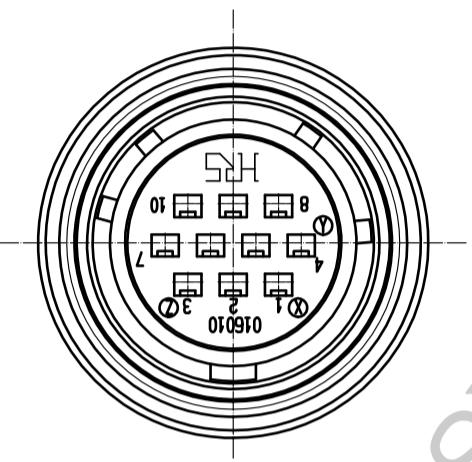
## Contact us

Tel: +86-755-8981 8866 Fax: +86-755-8427 6832

Email & Skype: info@chipsmall.com Web: www.chipsmall.com

Address: A1208, Overseas Decoration Building, #122 Zhenhua RD., Futian, Shenzhen, China





- NOTES 1 APPLICABLE CRIMP CONTACT: JRC-PC2-212(AWG#20 TO 24)  
 JRC-PC2-222(AWG#24 TO 28)
- 2 APPLICABLE CONTACT REMOVAL TOOL(EXTRACTION TOOL): RM-TP(CL150-0008-7)
- 3 THE RECOMMENDED CLAMP TORQUE, REF. NO. ④: 3 TO 3.5N · m.
- 4 THE RECOMMENDED CLAMP TORQUE, REF. NO. ⑧: 0.2 TO 0.25N · m.
- 5 ONE EXAMPLE OF THE ROTATION OF REF. NO. ④ TO REF. NO. ① IS SHOWN.
- 6 THIS PRODUCT TO BE USED WITH CABLECLAMP, JR16WCC-※.
- 7 \* DESIGNATE DIAMETER OF APPLICABLE CABLE.
- 8 THE CABLE PULL AND TWISTING STRENGTH AND OTHER CHARACTERISTICS MAY DIFFER, DEPENDING ON THE CABLE STRUCTURE.
- PLEASE CONFIRM BEFORE THE USE.

4	BRASS	BLACK CHROME PLATING	8	STAINLESS STEEL	
3	PHOSPHOR BRONZE	NICKEL PLATING	7	ACRYLONITRILE BUTADIENE RUBBER (BLACK)	
2	POLYCARBONATE	(BLACK) UL94V-0	6	ACRYLONITRILE BUTADIENE RUBBER (BLACK)	
1	ALUMINUM ALLOY	BLACK CHROME PLATING	5	BRASS	BLACK CHROME PLATING
NO.	MATERIAL	FINISH . REMARKS	NO.	MATERIAL	FINISH . REMARKS

UNITS	mm	SCALE	2 : 1	COUNT	DESCRIPTION OF REVISIONS	DESIGNED	CHECKED	DATE
-------	----	-------	-------	-------	--------------------------	----------	---------	------

<b>HRS</b> HIROSE ELECTRIC CO., LTD.	APPROVED	: HY. KOBAYASHI	18.02.26	DRAWING NO.	EDC-110650-31-00
	CHECKED	: HY. KOBAYASHI	18.02.26	PART NO.	JR16WP-10PC(31)
	DESIGNED	: TH. KAMEYA	18.02.24	CODE	CL114-2114-1-31
	DRAWN	: MK. INOUE	18.02.14	NO.	