



Chipsmall Limited consists of a professional team with an average of over 10 year of expertise in the distribution of electronic components. Based in Hongkong, we have already established firm and mutual-benefit business relationships with customers from,Europe,America and south Asia,supplying obsolete and hard-to-find components to meet their specific needs.

With the principle of “Quality Parts,Customers Priority,Honest Operation,and Considerate Service”,our business mainly focus on the distribution of electronic components. Line cards we deal with include Microchip,ALPS,ROHM,Xilinx,Pulse,ON,Everlight and Freescale. Main products comprise IC,Modules,Potentiometer,IC Socket,Relay,Connector.Our parts cover such applications as commercial,industrial, and automotives areas.

We are looking forward to setting up business relationship with you and hope to provide you with the best service and solution. Let us make a better world for our industry!



Contact us

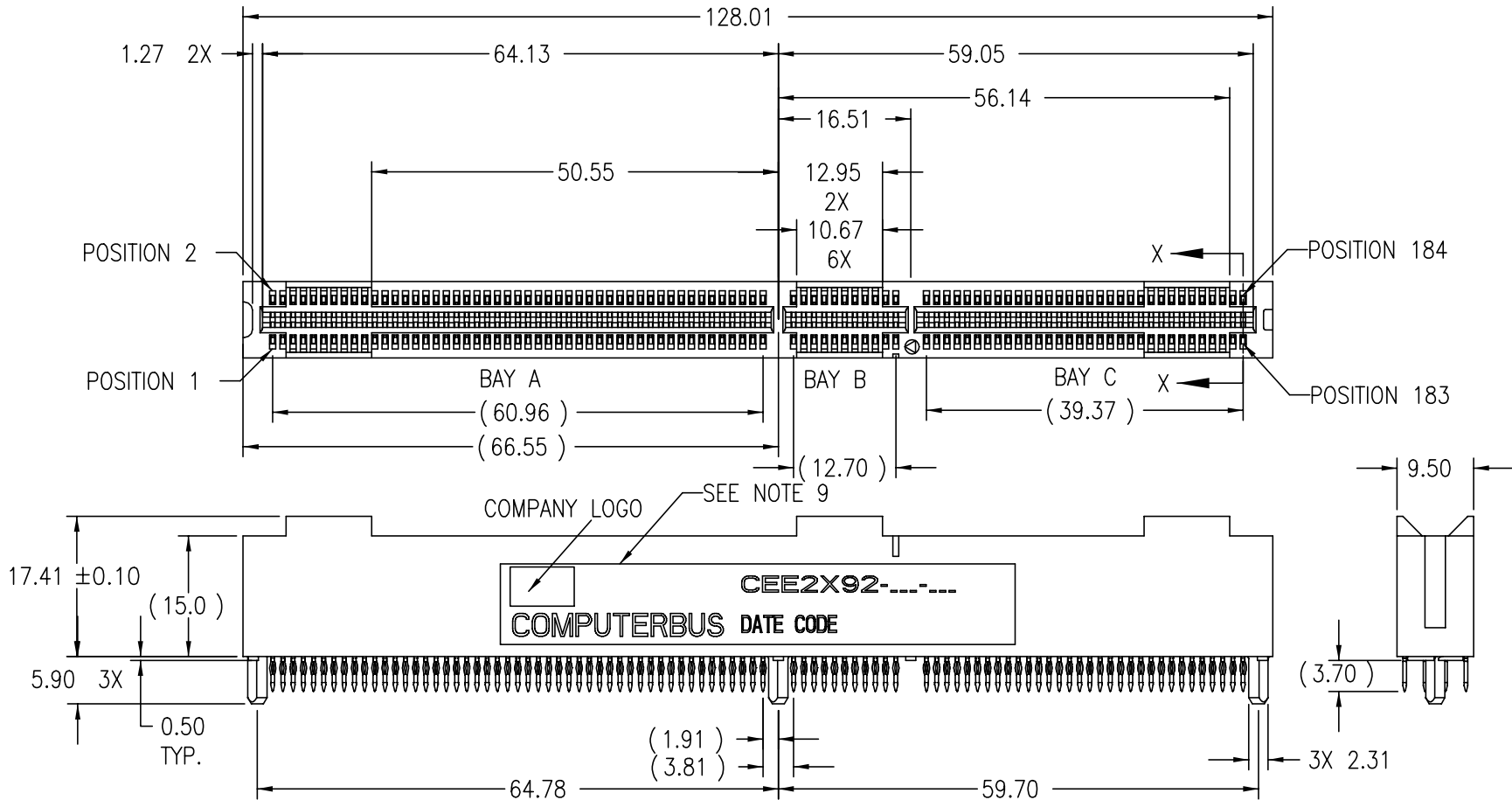
Tel: +86-755-8981 8866 Fax: +86-755-8427 6832

Email & Skype: info@chipsmall.com Web: www.chipsmall.com

Address: A1208, Overseas Decoration Building, #122 Zhenhua RD., Futian, Shenzhen, China



PRODUCT NUMBER
SEE TABLE



CEE2X92PF-102PY4, CEE2X92PF-102PY4LF SHOWN, FULLY LOADED
 CEE2X92PF-153PY4, CEE2X92PF-153PY4LF SIMILAR, EXCEPT FOR LOAD PATTERN
 CEE2X92PF-102Z56, CEE2X92PF-102Z56LF FULLY LOADED OBSOLETE
 CEE2X92PF-153Z56, CEE2X92PF-153Z56LF SIMILAR, EXCEPT FOR LOAD PATTERN OBSOLETE
 CEE2X92PF-102PY4W, CEE2X92PF102PY4WLF SHOWN, FULLY LOADED

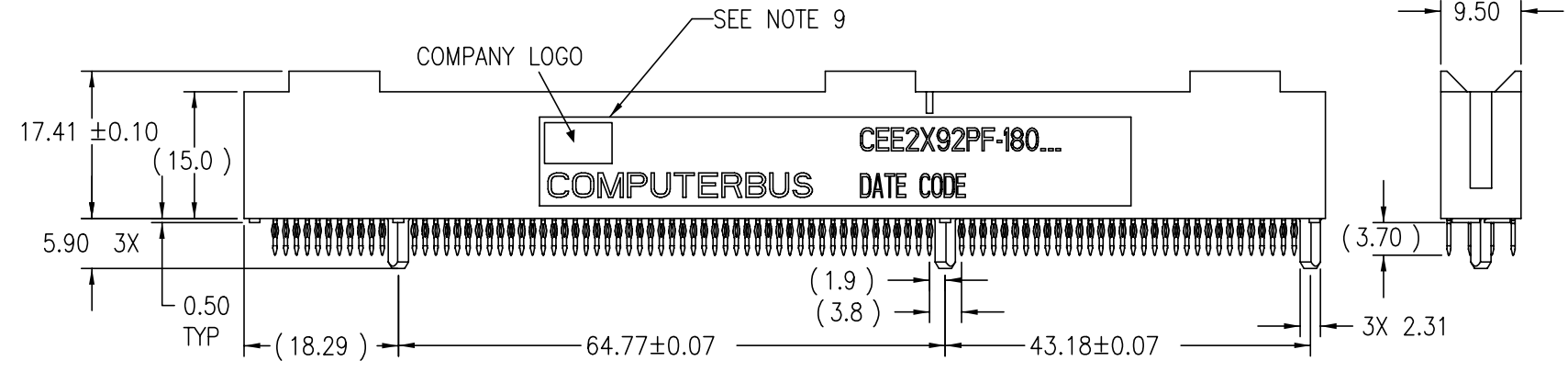
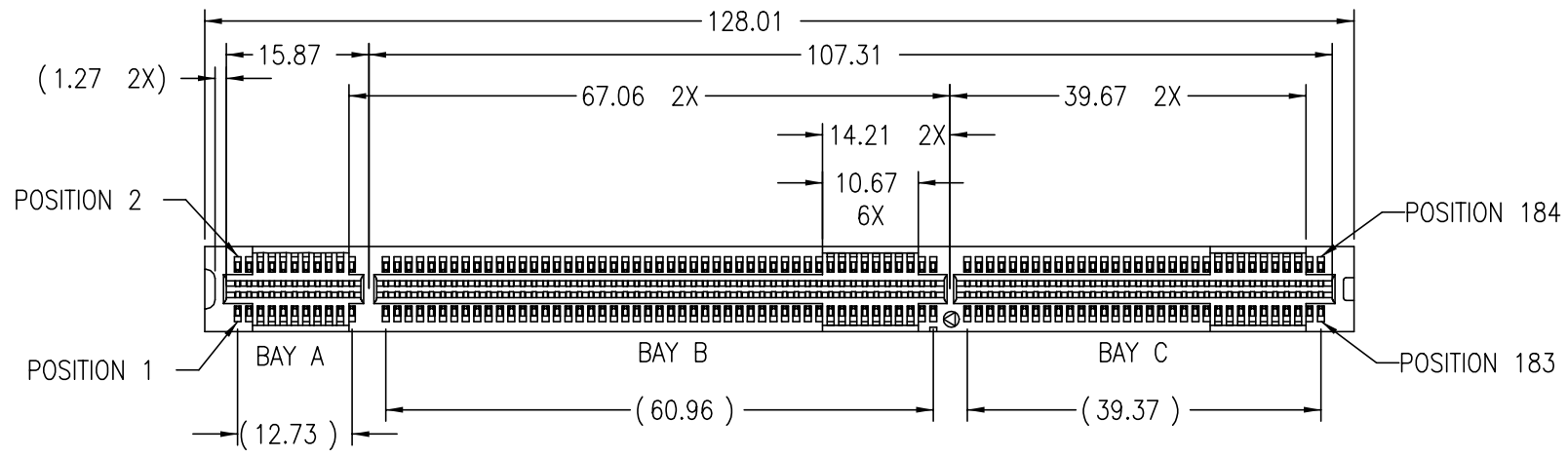
mat'l. code				surface ISO 1302	tolerance ISO 406 ISO 1101	projection MM	product family CARDEdge
ltr	ecn no	dr	date	tolerances unless otherwise specified		MM	title CEE 2X92 PF CONNECTOR ASSEMBLY
AD	M06-0234	AGS	06/16/06	angles	.X±.2		
AE	M06-0325	MHT	8/24/06	linear	.XX±.10	scale 6:5	dwg no SE96947
AF	M06-0427	AGS	10/26/06	0°±1'	.XXX±.050		
AG	M06-0445	AGS	11/06/06	dr	G. PETERS	9/18/01	sheet 1 of 7 size
AH	M07-0075	MHT	1/25/07	enrg	D. CASEY	9/21/01	A3
AJ	M08-0224	MHT	8/13/09	chr	G. PETERS	9/18/01	type Product Customer Drawing
AK	N09-0382	YOH	12/1/09	appd	D. CASEY	9/18/01	
sheet	revision	AK	AK	AK	AK	AK	
index	sheet	1	2	3	4	5	6

PDM: Rev:AK

STATUS: Released

Printed: Feb 20, 2010

PRODUCT NUMBER
SEE TABLE



CEE2X92PF-180PY4, CEE2X92PF-180PY4LF CONNECTOR SHOWN
~~CEE2X92PF-180Z56, CEE2X92PF-180Z56LF FULLY LOADED OBSOLETE~~
 CEE2X92PF-180PY4W, CEE2X92PF180PY4WLF CONNECTOR SHOWN

mat'l. code		surface	tolerance	projection	product family
		ISO 1302	ISO 406 ISO 1101		CARDEDGE
ltr	ecn no	dr	date	tolerances unless otherwise specified	
AK				angles	.X±.2
				linear	.XX±.10
				0°±1°	.XXX±.050
		dr	G. PETERS	9/18/01	 scale 6:5 sheet 2 of 7 size A3
		engr	D. CASEY	9/21/01	
		chr	G. PETERS	9/18/01	
		appd	D. CASEY	9/18/01	
sheet index	revision sheet			type Product Customer Drawing	

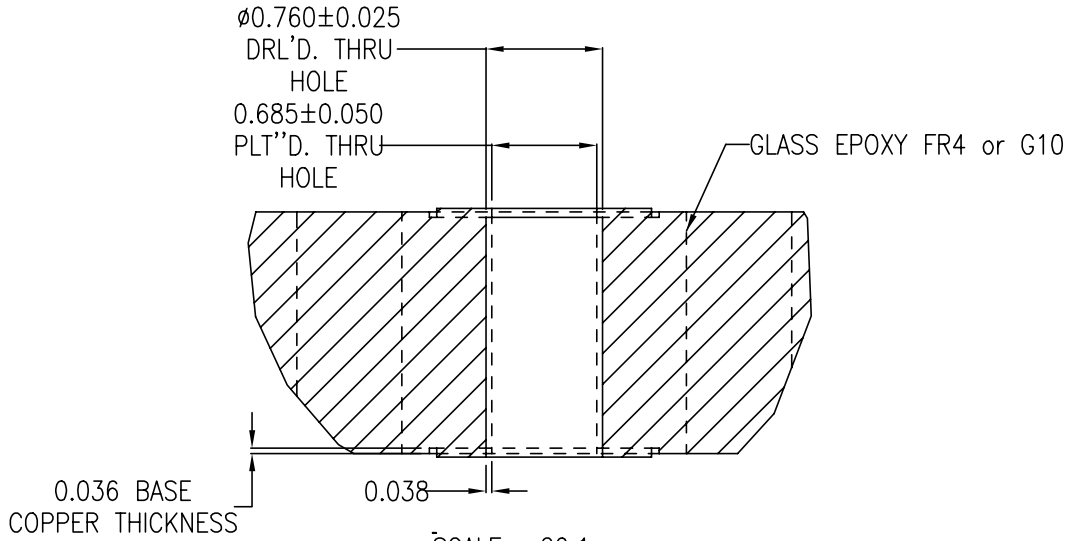
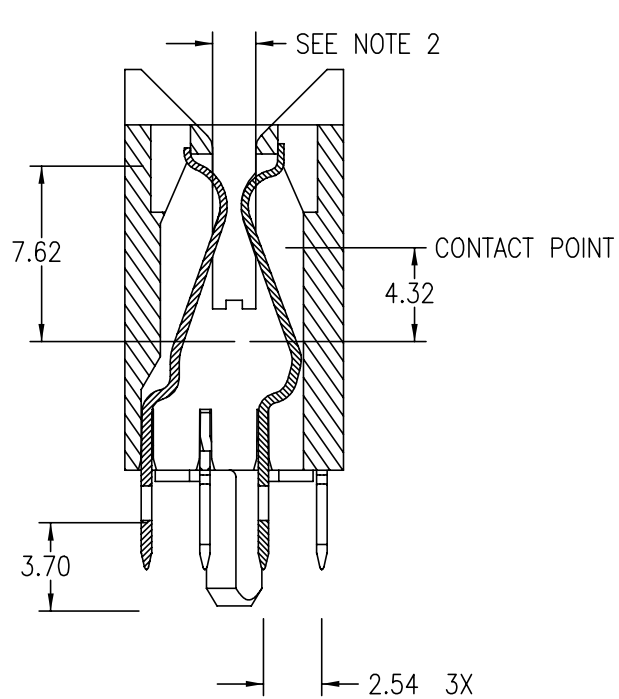
PDM: Rev:AK

STATUS: Released

Printed: Feb 20, 2010

FCI CATALOG NO. f/CONNECTORS w/CARD COLLECTORS	CONNECTOR SIZE	NO. CONTACTS LOADED	TERM.	LOAD PATTERN UNPOPULATED POSITIONS	CONTACT PAIRS BAY A	CONTACT PAIRS BAY B	CONTACT PAIRS BAY C
CEE2X92PF-102PY4	2x92	184	P.F.	FULLY LOADED	49	11	32
CEE2X92PF-102PY4W	2x92	184	P.F.	FULLY LOADED	49	11	32
CEE2X92PF-180PY4	2x92	184	P.F.	FULLY LOADED	11	49	32
CEE2X92PF-180PY4W	2x92	184	P.F.	FULLY LOADED	11	49	32
CEE2X92PF-153PY4	2x92	159	P.F.	2,4,5,9,10,11,12,13,14,29,30,31,32,51,52,53,54,155,156,157,158,159,160,161,162	49	11	32
CEE2X92PF-102Z56	2x92	184	P.F.	FULLY LOADED	49	11	32
CEE2X92PF-180Z56	2x92	184	P.F.	FULLY LOADED	11	49	32
CEE2X92PF-153Z56	2x92	159	P.F.	2,4,5,9,10,11,12,13,14,29,30,31,32,51,52,53,54,155,156,157,158,159,160,161,162	49	11	32
CEE2X92PF-102PY4LF	2x92	184	P.F.	FULLY LOADED	49	11	32
CEE2X92PF102PY4WLF	2x92	184	P.F.	FULLY LOADED	49	11	32
CEE2X92PF-180PY4LF	2x92	184	P.F.	FULLY LOADED	11	49	32
CEE2X92PF180PY4WLF	2x92	184	P.F.	FULLY LOADED	11	49	32
CEE2X92PF-153PY4LF	2x92	159	P.F.	2,4,5,9,10,11,12,13,14,29,30,31,32,51,52,53,54,155,156,157,158,159,160,161,162	49	11	32
CEE2X92PF-102Z56LF	2x92	184	P.F.	FULLY LOADED	49	11	32
CEE2X92PF-180Z56LF	2x92	184	P.F.	FULLY LOADED	11	49	32
CEE2X92PF-153Z56LF	2x92	159	P.F.	2,4,5,9,10,11,12,13,14,29,30,31,32,51,52,53,54,155,156,157,158,159,160,161,162	49	11	32

OBSOLETE
OBSOLETE
OBSOLETE
OBSOLETE
OBSOLETE
OBSOLETE
OBSOLETE



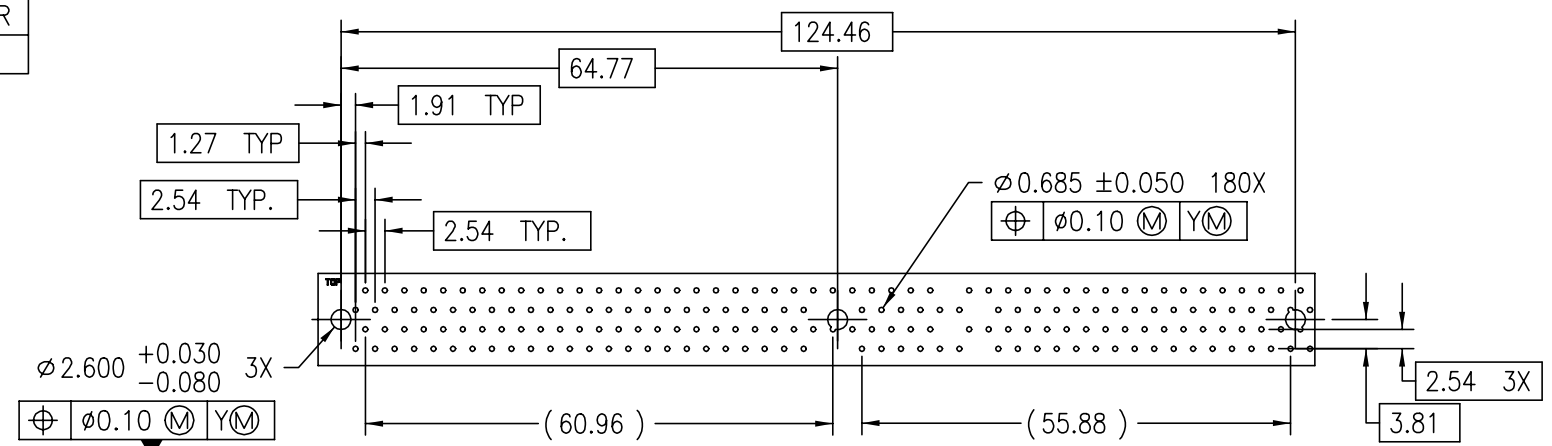
SCALE 20:1
RECOMMENDED PLATED THRU HOLE DIMENSIONS
FOR COMPLIANT PRESS PINS

mat'l. code		surface ISO 1302	tolerance ISO 406 ISO 1101	projection	product family CARDEGE
ltr	ecn no	dr	date	MM	title CEE 2X92 PF CONNECTOR ASSEMBLY
AK					
		angles	linear	scale 6:5	dwg no SE96947
		0°±1°	.X±.2 .XX±.10 .XXX±.050		
		dr	G. PETERS	9/18/01	sheet 3 of 7 size
		enr	D. CASEY	9/21/01	A3
		chr	G. PETERS	9/18/01	type Product Customer Drawing
		appd	D. CASEY	9/18/01	
sheet index	revision sheet				

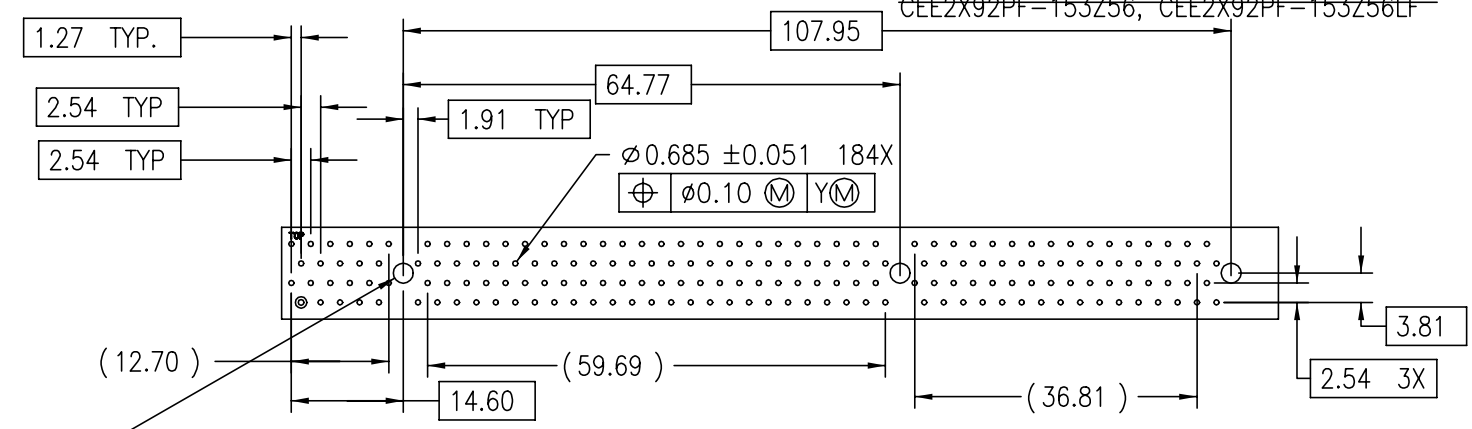


Copyright FCI

PRODUCT NUMBER
SEE TABLE



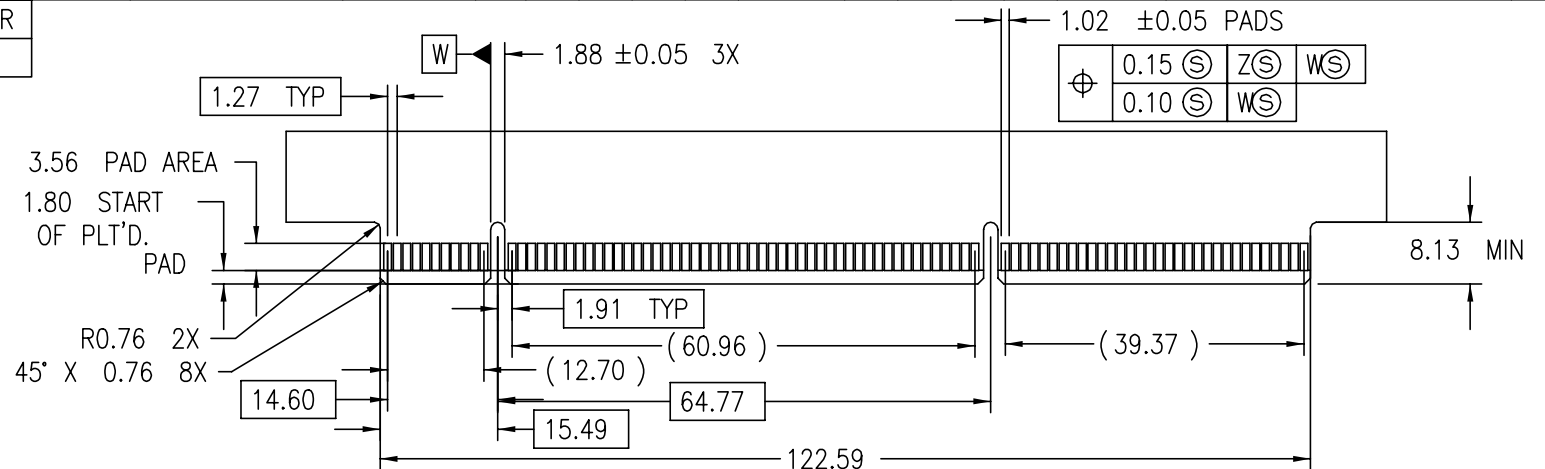
RECOMMENDED BACKPLANE HOLE PATTERN FOR CEE2X92PF-102PY4, CEE2X92PF-102PY4LF
CEE2X92PF-102PY4W, CEE2X92PF-102PY4WLF
CEE2X92PF-153PY4, CEE2X92PF-153PY4LF
CEE2X92PF-102Z56, CEE2X92PF-102Z56LF
CEE2X92PF-153Z56, CEE2X92PF-153Z56LF



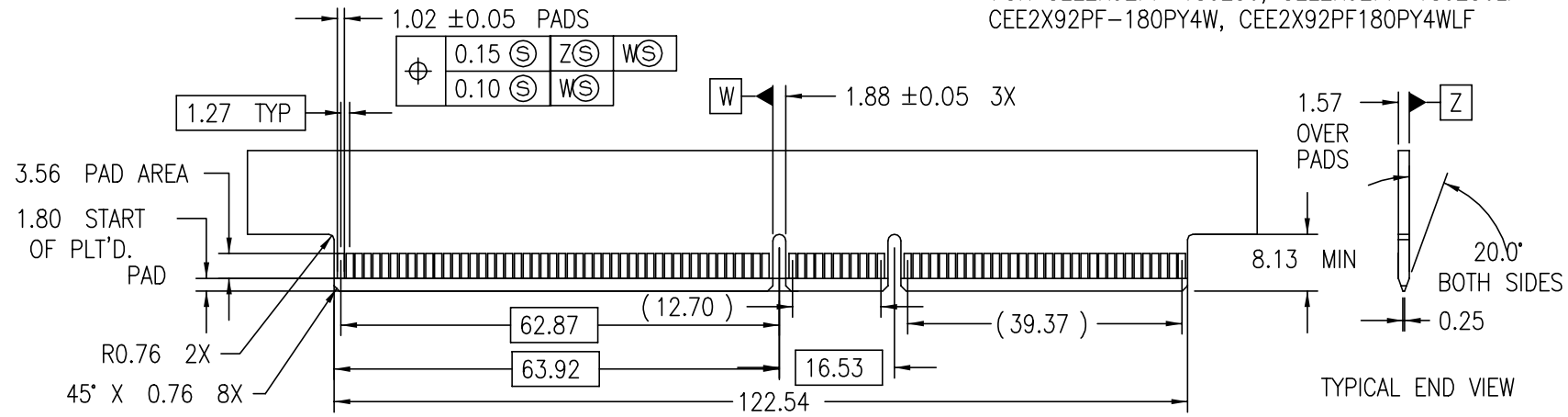
RECOMMENDED BACKPLANE HOLE PATTERN FOR CEE2X92PF-180PY4, CEE2X92PF-180PY4LF
CEE2X92PF-180Z56, CEE2X92PF-180Z56LF
CEE2X92PF-180PY4W, CEE2X92PF-180PY4WLF

mat'l. code		surface ISO 1302	tolerance ISO 406 ISO 1101	projection 	product family CARDEGE
ltr	ecn no	dr	date	tolerances unless otherwise specified	title
AK				angles linear $0^\circ \pm 1^\circ$	CEE 2X92 PF CONNECTOR ASSEMBLY
				$.X \pm .2$ $.XX \pm .10$ $.XXX \pm .050$	MM scale 1:1
		dr	G. PETERS	9/18/01	dwg no
		enr	D. CASEY	9/21/01	sheet 4 of 7
		chr	G. PETERS	9/18/01	size
		appd	D. CASEY	9/18/01	A3
					SE96947
					type Product Customer Drawing
sheet index	revision sheet				

PRODUCT NUMBER
SEE TABLE



RECOMMENDED BACKPLANE COMPONENT PCB FOR CEE2X92PF-180PY4, CEE2X92PF-180PY4LF
FOR CEE2X92PF-180Z56, CEE2X92PF-180Z56LF
CEE2X92PF-180PY4W, CEE2X92PF180PY4WLF



RECOMMENDED BACKPLANE COMPONENT PCB FOR CEE2X92PF-102PY4, CEE2X92PF-102PY4LF
CEE2X92PF-102PY4W, CEE2X92PF102PY4WLF
CEE2X92PF-153PY4, CEE2X92PF-153PY4LF
CEE2X92PF-102Z56, CEE2X92PF-102Z56LF
CEE2X92PF-153Z56, CEE2X92PF-153Z56LF

mat'l. code		surface ISO 1302	tolerance ISO 406 ISO 1101	projection	product family CARDEDGE
ltr	ecn no	dr	date		title CEE 2X92 PF CONNECTOR ASSEMBLY
AK					
		tolerances unless otherwise specified			dwg no SE96947 sheet 5 of 7 size A3
		angles	linear		
		0°±1°	.X±.2 .XX±.10 .XXX±.050	scale 1:1	
		dr	G. PETERS	9/18/01	
		enr	D. CASEY	9/21/01	
		chr	G. PETERS	9/18/01	
		appd	D. CASEY	9/18/01	
sheet index	revision sheet				

PRODUCT NUMBER
SEE TABLE

NOTES:

1. INTERPRET THIS DRAWING IN ACCORDANCE WITH ANSI Y14.5M -1982.
- ② CONNECTORS WITH CARD COLLECTING SCOOPS ARE DESIGNED TO ACCOMMODATE 1.57+/- .180 PC BOARDS WITH WARPAGE UP TO +/-2.03.
3. RECOMMENDED COMPONENT BOARD MATERIAL:
P.C. BOARD:FR-4 WITH 28.35 GRAMS MIN. COPPER, PADS PLATED WITH .76 MICRONS MIN GOLD, PER MIL-G-45204, TYPE 1, CLASS 1, GRADE C OVER 2.54 MICRONS MIN NI. UNDERPLATE PER QQ-N-290.
4. RECOMMENDED BACK PLANE THICKNESS IS 2.39 FOR 3.71 COMPLIANTTAIL.
5. CONTACT MATING SURFACES ARE LUBRICATED WITH OS-138.
6. MATERIAL:

BODY: POLYPHTHALAMIDE (PPA) UL RATED 94V-0
COLOR, BLACK
LIQUID CRYSTAL POLIMER (LCP) 30% GF
COLOR, NATURAL

CONTACTS: PHOS BRONZE, PER FCI SPEC. M738

CONTACT FINISH:
PY4 MAY BE EITHER 0.76 MICRONS GOLD OR 0.76 MICRONS GXT PLATED AT MANUFACTURER'S OPTION IN CRITICAL CONTACT AREA
1-3/ MICRONS TIN/LEAD OVER 1.27 MICRONS Ni UNDERPLATE ON CONTACT TAILS.

Z56 0.40 MICRONS GOLD OVER 2.00 MICRONS Ni UNDEERPLATE IN CRITICAL CONTACT AREA. 1-3 MICRONS TIN/LEAD OVER 2.00 MICRONS Ni UNDERPLATE ON PRESSFIT TAILS.

LEAD FREE OPTION:

PY4 MAY BE EITHER 0.76 MICRONS GOLD OR 0.76 MICRONS GXT PLATED AT MANUFACTURER'S OPTION IN CRITICAL CONTACT AREA
1-3 MICRONS TIN OVER 1.27 MICRONS Ni UNDERPLATE ON CONTACT TAILS.

Z56 0.40 MICRONS GOLD OVER 2.00 MICRONS Ni UNDEERPLATE IN CRITICAL CONTACT AREA. 1-3 MICRONS PURE TIN OVER 2.00 MICRONS Ni UNDERPLATE ON PRESSFIT TAILS.

7. PERFORMANCE CHARACTERISTICS: SEE SHEET 7.
- ⑧ ITEM NAME, LOGO, PART NUMBER, DATE CODE, AND UL SYMBOLS TO BE DISPLAYED IN THIS AREA NATURAL COLOR CONNECTOR ONLY WILL HAVE DATE CODE DISPLAYED
9. LF SUFFIX AT THE END OF PART NUMBER IS LEAD FREE OPTION. NATURAL COLOR CONNECTOR ONLY WILL HAVE DATE CODE DISPLAYED.
EXAMPLE: CEE2X92PF-180PY4LF
└─── LEAD FREE OPTION.
10. THIS PRODUCT MEETS EUROPEAN UNION DIRECTIVES AND OTHER COUNTRY REGULATION AS DESCRIBED IN GS-22-008.
11. PART NUMBERS WITH "W" AT THE END OR "W" BEFORE "LF" ARE MOLDED IN NATURAL COLOR.

mat'l. code		surface ISO 1302		tolerance ISO 406 ISO 1101		projection 		product family CARDEDGE	
ltr	ecn no	dr	date	tolerances unless otherwise specified		MM		title	
AK				angles	linear	.X±.2 .XX±.10 .XXX±.050		CEE 2X92 PF CONNECTOR ASSEMBLY	
				0°±1°		scale 1:2		dwg no	
				dr	G. PETERS	9/18/01		sheet 6 of 7 size	
				enr	D. CASEY	9/21/01		SE96947	
				chr	G. PETERS	9/18/01		A3	
				appd	D. CASEY	9/18/01		type Product Customer Drawing	
sheet index	revision sheet								



Copyright FCI

PRODUCT NUMBER
SEE TABLE

PERFORMANCE CHARACTERISTICS: "PY4 PLATED CONTACTS ONLY"

ENVIRONMENTAL:

OPERATING TEMPERATURE: -40C TO 105C
THERMAL SHOCK: EIA-364 TP32, -55C TO +85C, 5 CYCLES

FLAMABILITY RATING: UL94V-0

MECHANICAL:

DURABILITY: 100 MATING CYCLES WITHOUT PHYSICAL DAMAGE, OR EXCEEDING LOW LEVEL CONTACT RESISTANCE REQUIREMENTS WHEN MATED WITH RECOMMENDED CARD.

CONTACT RETENTION: EIA-364 TP29, 4.4 N MIN.

MATING FORCE: EIA-364 TP13 2.0 N MAX. AVERAGE PER OPPOSING PAIR USING GAUGE PER MIL-STD-C-21097 WITH CARD PROFILE

CONTACT NORMAL FORCE: 0.72 N MINIMUM

PRESS FIT TERMINATION FORCES: INSERTION FORCE 70 N MAX. PER PIN
RETENTION FORCE 9 N MIN. PER PIN

ELECTRICAL:

CONTACT RESISTANCE: EIA-364 TP45, WITH 10 MILLIOHM MAX. INITIAL, 20 (LOW SIGNAL LEVEL) MILLIOHM RISE. COMPONENT BOARD SIDE - 1 MILLIOHM MAX., CONNECTION PRESS FIT PIN WITH w/PLATED THROUGH HOLE.

INSULATION RESISTANCE: MILL-STD-202, METHOD 302, CONDITION B, 1000 MEGAOHMS MIN.

DIELECTRIC WITHSTAND VOLTAGE: EIA-364 TP45 CONDITION 1, 500 VAC RM

CAPACITANCE: 2 PICO FARADS, MAX AT 1 MEGAHERTZ

CURRENT RATING: 1 AMP, 30C RISE ABOVE AMBIENT

VOLTAGE RATING: 150 VAC (RMS)

mat'l. code		surface ISO 1302	tolerance ISO 406 ISO 1101	projection 	product family CARDEDGE
ltr	ecn no	dr	date	tolerances unless otherwise specified	title
AK				angles linear 0°±1°	CEE 2X92 PF CONNECTOR ASSEMBLY
				.X±.2 .XX±.10 .XXX±.050	MM scale 1:2
		dr	G. PETERS	9/18/01	dwg no
		enr	D. CASEY	9/21/01	sheet 7 of 7
		chr	G. PETERS	9/18/01	size
		appd	D. CASEY	9/18/01	SE96947
					A3
					type Product Customer Drawing
sheet index	revision sheet				

PDM: Rev:AK

STATUS: Released

Printed: Feb 20, 2010