



Chipsmall Limited consists of a professional team with an average of over 10 year of expertise in the distribution of electronic components. Based in Hongkong, we have already established firm and mutual-benefit business relationships with customers from,Europe,America and south Asia,supplying obsolete and hard-to-find components to meet their specific needs.

With the principle of “Quality Parts,Customers Priority,Honest Operation,and Considerate Service”,our business mainly focus on the distribution of electronic components. Line cards we deal with include Microchip,ALPS,ROHM,Xilinx,Pulse,ON,Everlight and Freescale. Main products comprise IC,Modules,Potentiometer,IC Socket,Relay,Connector.Our parts cover such applications as commercial,industrial, and automotives areas.

We are looking forward to setting up business relationship with you and hope to provide you with the best service and solution. Let us make a better world for our industry!



Contact us

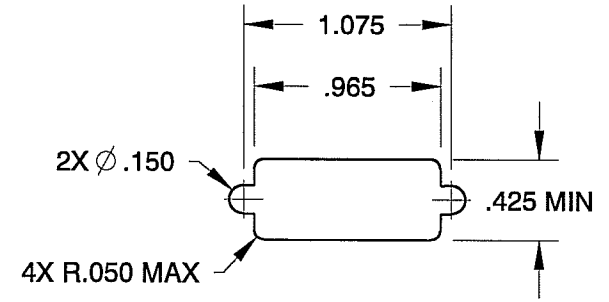
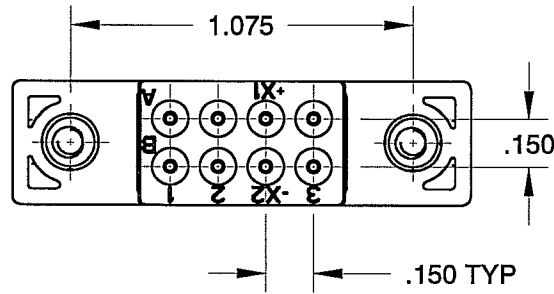
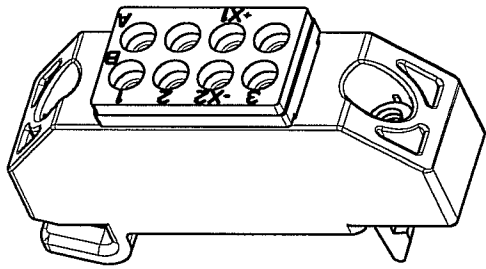
Tel: +86-755-8981 8866 Fax: +86-755-8427 6832

Email & Skype: info@chipsmall.com Web: www.chipsmall.com

Address: A1208, Overseas Decoration Building, #122 Zhenhua RD., Futian, Shenzhen, China



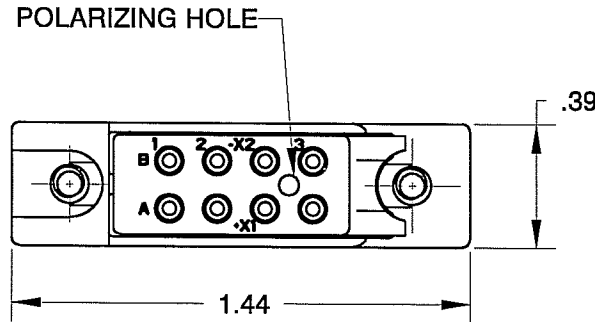
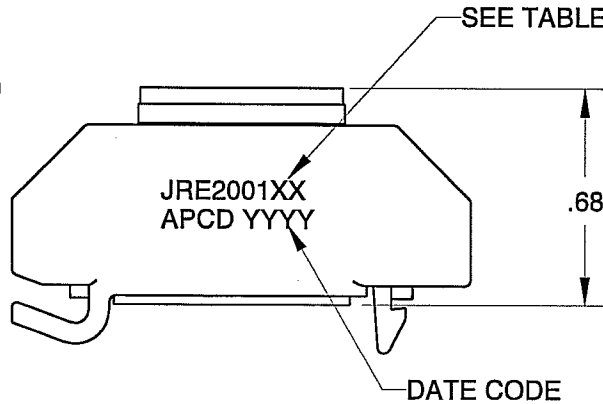
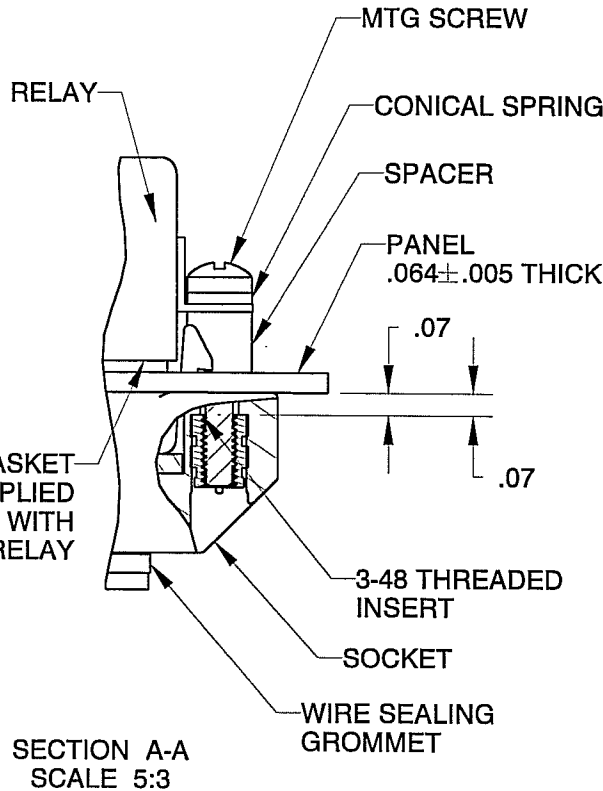
REV	ECN	APP'D
-	5277	JT 12-28-05
A	6078	6/12/07



REQUIRED
PANEL CUT-OUT

NOTES:

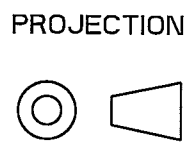
1. MATERIALS-
SOCKET BODY: POLYETHERIMIDE PER ASTM-D-5205
GROMMET: SILICONE RUBBER PER A-A-59588
CONTACT RETAINERS: STAINLESS STEEL
THREADED INSERTS: STAINLESS STEEL
MOUNTING HARDWARE: STAINLESS STEEL
2. PART MEETS APPLICABLE REQUIREMENTS OF MIL-PRF-12883/45.
3. PART ACCEPTS M39029/101-553 SOCKET CONTACTS, SIZE 20/20 (SEE TABLE).
4. MOUNTING HARDWARE SEE TABLE.
5. WEIGHT: .0128 LBS (5.81 GRAMS), NOT INCLUDING HARDWARE AND CONTACTS.
6. OPERATING TEMPERATURE: -65° C TO 125° C.



APCD P/N	HARDWARE SUPPLIED	CONTACT PKG SUPPLIED
JRE200100	NO	NO
JRE200101	NO	YES
JRE200110	YES	NO
JRE200111	YES	YES

DIMENSIONS
ANSI Y14.5M
UNITS: INCHES
Pro/E FILE

TOLERANCES
.XX ±0.01
.XXX ±0.005
ANGLES ±2.0°



Amphenol PCD
SPECIFICATION DRAWING

ENGR

S. KONDO 08-JUL-2003

TITLE

RELAY SOCKET,
QUICK-MOUNT, BELOW PANEL,
2-POLE, 5-AMP

ORIGINAL

THIS DOCUMENT CONTAINS
PROPRIETARY INFORMATION WHICH
IS THE CONFIDENTIAL PROPERTY
OF AMPHENOL PCD
PEABODY, MA, USA

CHKD

APPD

R. Stamp 6/12/07

JACK TON 12-28-05

SIZE

A

DWG NO.

JRE200100

REV

A

CODE: 58982

SCALE: NONE

SHEET 1 OF 1