



Chipsmall Limited consists of a professional team with an average of over 10 year of expertise in the distribution of electronic components. Based in Hongkong, we have already established firm and mutual-benefit business relationships with customers from,Europe,America and south Asia,supplying obsolete and hard-to-find components to meet their specific needs.

With the principle of "Quality Parts,Customers Priority,Honest Operation,and Considerate Service",our business mainly focus on the distribution of electronic components. Line cards we deal with include Microchip,ALPS,ROHM,Xilinx,Pulse,ON,Everlight and Freescale. Main products comprise IC,Modules,Potentiometer,IC Socket,Relay,Connector.Our parts cover such applications as commercial,industrial, and automotives areas.

We are looking forward to setting up business relationship with you and hope to provide you with the best service and solution. Let us make a better world for our industry!



Contact us

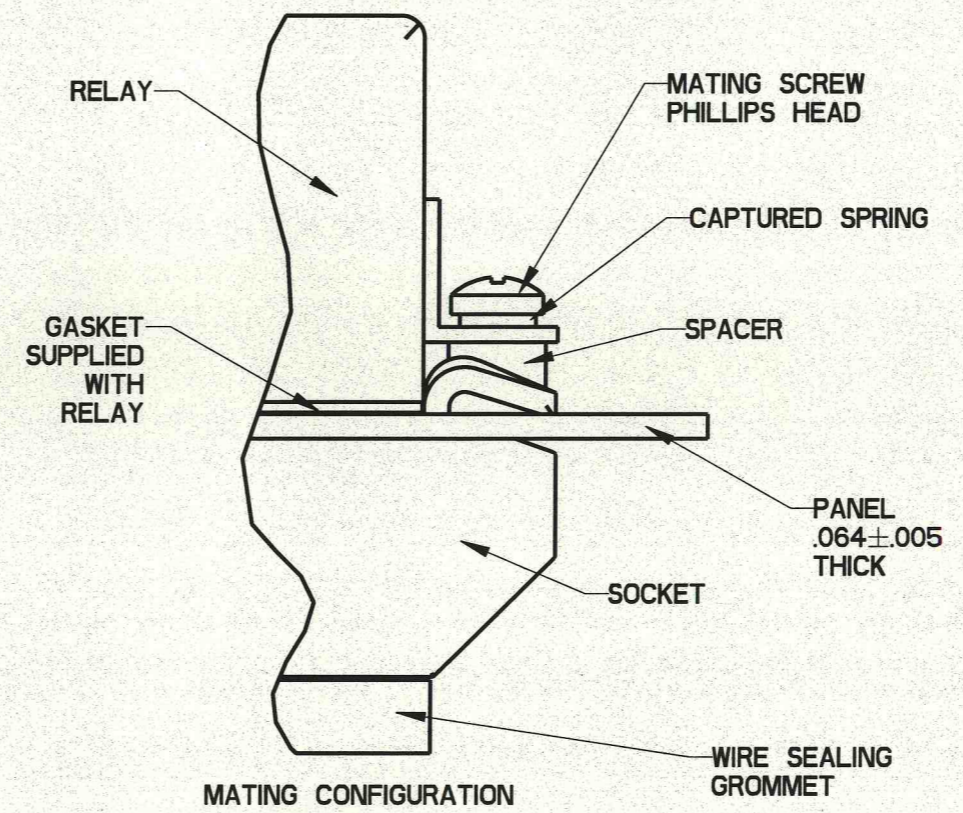
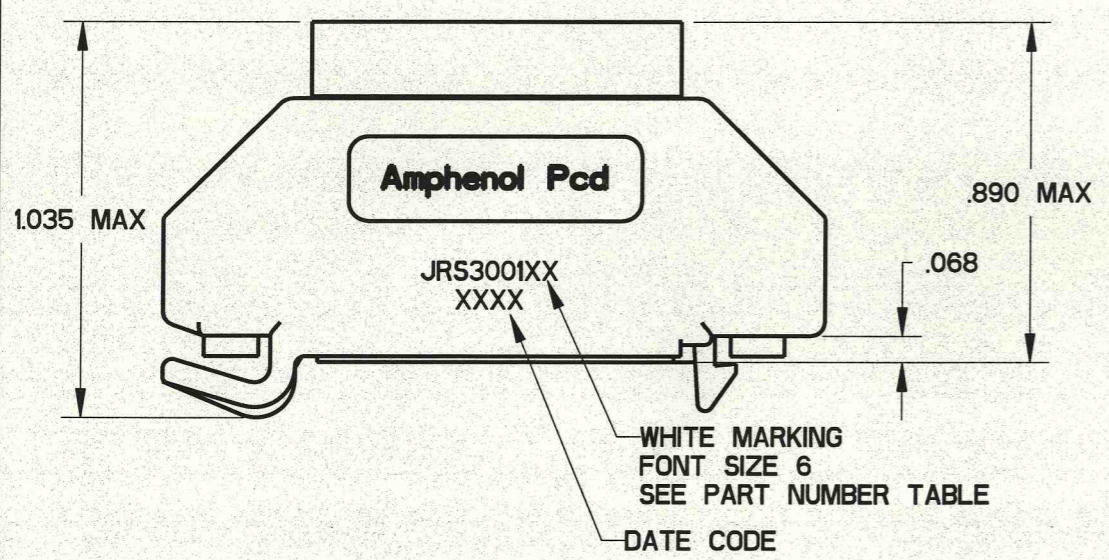
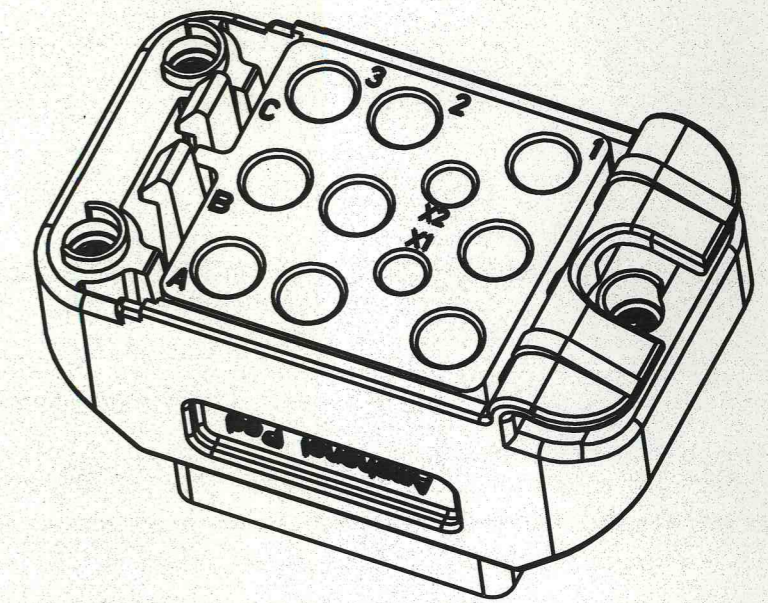
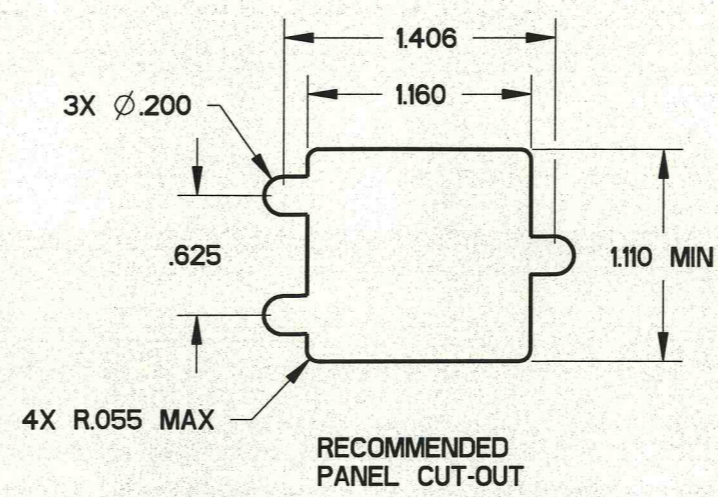
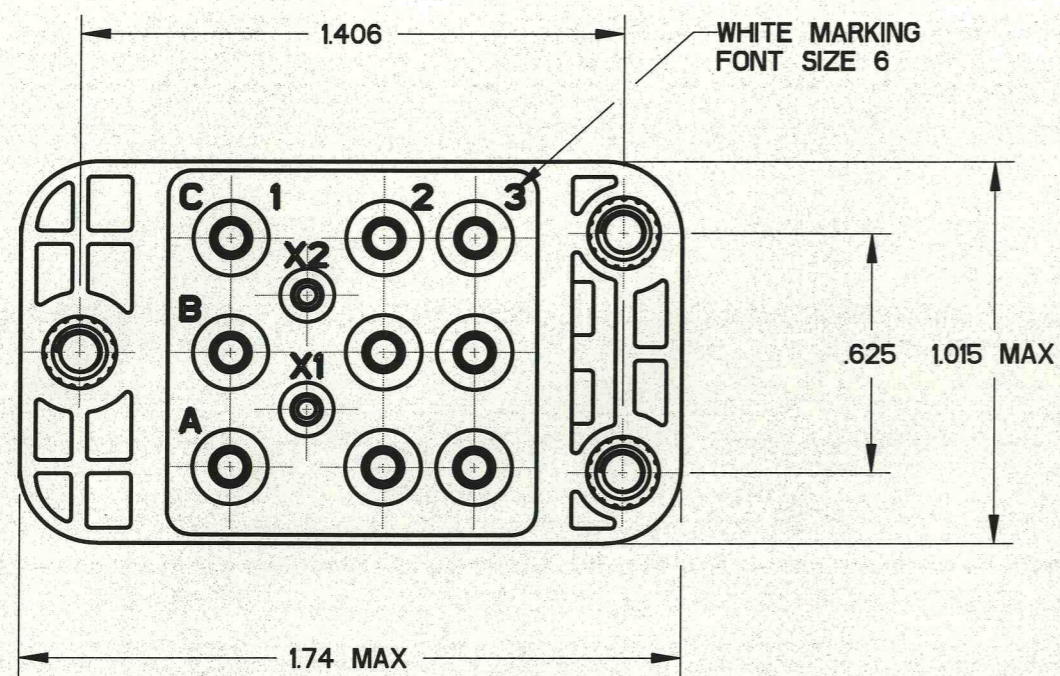
Tel: +86-755-8981 8866 Fax: +86-755-8427 6832

Email & Skype: info@chipsmall.com Web: www.chipsmall.com

Address: A1208, Overseas Decoration Building, #122 Zhenhua RD., Futian, Shenzhen, China



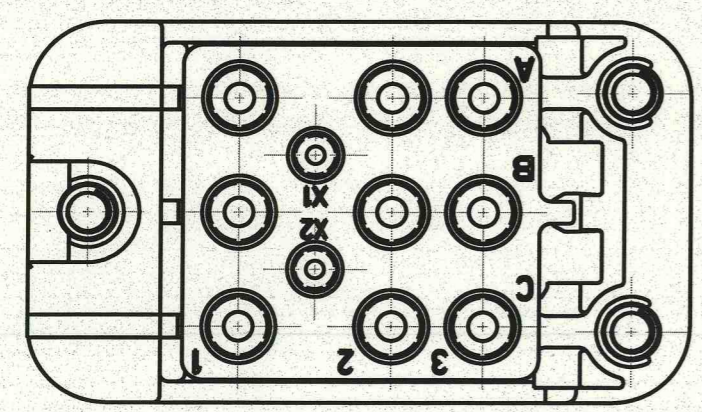
| REV | ECN | APP'D |
|-----|------|-------------------|
| - | 6299 | <i>JL 5-29-09</i> |



- NOTES:
- MATERIALS:
HOUSING: POLYETHERIMIDE PER ASTM-D5205
GROMMET: SILICONE RUBBER PER A-A-59588
THREADED INSERT: STAINLESS STEEL
 - OPERATING RANGE:
TEMPERATURE: -65 °C TO 125 °C
INSULATION RESISTANCE: 1000 MEGOHMS MIN.
DIELECTRIC WITHSTANDING VOLTAGE: 1500 VRMS AT SEA LEVEL AND 500 VRMS AT 80,000 FT. ALTITUDE
VIBRATION: MIL-STD-202, METHOD 204, TEST CONDITION G
SHOCK: MIL-STD-202, METHOD 213, TEST CONDITION C
 - PART ACCEPTS M39029/92-533 AND M39029/92-535 SOCKET CONTACTS, SIZE 16/16 AND SIZE 12/12.

PART NUMBER TABLE

| APCD P/N | HARDWARE PACKAGE | CONTACTS SUPPLIED |
|-----------|------------------|-------------------|
| JRS300100 | NONE | NONE |
| JRS300101 | NONE | YES |
| JRS300110 | YES | NONE |
| JRS300111 | YES | YES |



| | | | | | | |
|-----------------------------------------------------------------|---------------------------------------------------------------------------------------------------------------------|-----------------------|----------------------------------------------|---------------------------------------|------------------------------------------------|------------------|
| DIMENSIONS ANSI Y14.5M UNITS: INCHES Pro/E FILE | TOLERANCES .XX ±0.01 .XXX ±0.005 ANGLES ±1.0° | PROJECTION | Amphenol Pcd SPECIFICATION DRAWING | | TITLE SNAP-IN RELAY SOCKET 3 POLE | |
| | | | ENGR Frank.Li 07-Apr-08 | CHKD <i>[Signature]</i> 5/25/09 | APPD <i>[Signature]</i> 5-29-09 | SIZE B |
| ORIGINAL | THIS DOCUMENT CONTAINS PROPRIETARY INFORMATION WHICH IS THE CONFIDENTIAL PROPERTY OF AMPHENOL PCD INC., BEVERLY, MA | | | CODE: 58982 | SCALE: 2:1 | SHEET 1 OF 1 |

JRS300100

JRS300100