



Chipsmall Limited consists of a professional team with an average of over 10 year of expertise in the distribution of electronic components. Based in Hongkong, we have already established firm and mutual-benefit business relationships with customers from,Europe,America and south Asia,supplying obsolete and hard-to-find components to meet their specific needs.

With the principle of “Quality Parts,Customers Priority,Honest Operation,and Considerate Service”,our business mainly focus on the distribution of electronic components. Line cards we deal with include Microchip,ALPS,ROHM,Xilinx,Pulse,ON,Everlight and Freescale. Main products comprise IC,Modules,Potentiometer,IC Socket,Relay,Connector.Our parts cover such applications as commercial,industrial, and automotives areas.

We are looking forward to setting up business relationship with you and hope to provide you with the best service and solution. Let us make a better world for our industry!



Contact us

Tel: +86-755-8981 8866 Fax: +86-755-8427 6832

Email & Skype: info@chipsmall.com Web: www.chipsmall.com

Address: A1208, Overseas Decoration Building, #122 Zhenhua RD., Futian, Shenzhen, China



Panasonic

**Metallized Film Capacitor
for Digi-Key**

April, 2005

Panasonic Electronic Devices Toyama Co., Ltd.
Matsushita Electric Industrial Co., Ltd.

Panasonic

Metallized Film Capacitors



- The ratings in the Charts are Typical Ratings.
For details, please contact our local sales offices.
- Specifications are subjects to change without notice.

Panasonic Industrial Company

Two Panasonic Way, 7E-6
Secaucus, NJ 07094, USA

Tel: 201. 392. 4539

Fax: 201. 392. 4888

http://www.panasonic.com/industrial/appliance/appliance_ac_film_caps_home.htm

Panasonic Electronic Devices Toyama Company Limited

3, Miyamaru, Tonami City, Toyama, 939-1352, Japan

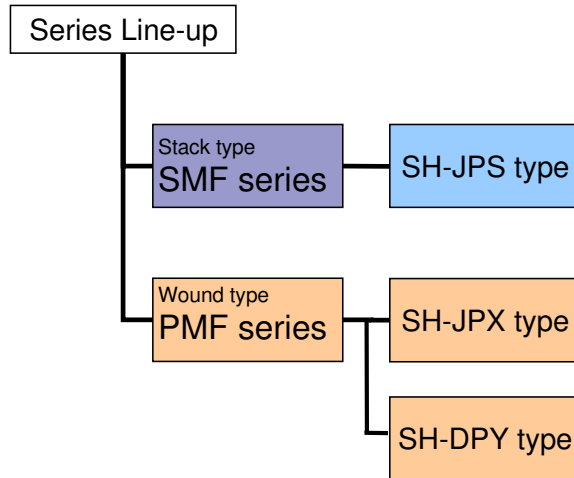
Tel: +81-763-33-5451

Fax: +81-763-33-5833

<http://www.mie.panasonic.co.jp/english/toyama/index.html>

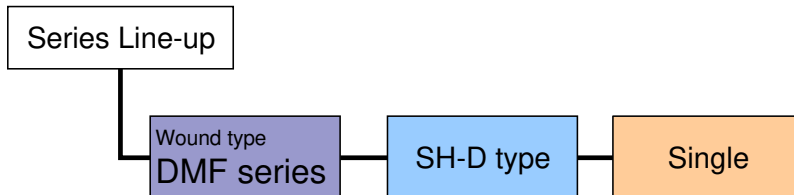
Dry Box type Line-up

Metallized Film Capacitors for Electrical Apparatus



Oil-Wound type Line-up

Metallized Film Capacitors for Electrical Apparatus



Dry Stack type

SMF series (SH-JPS type)

Metallized polyester film (Double side) and polypropylene film



■ Features

- ◆ Self protecting function built-in.
- ◆ Flame-retardant plastic case with Epoxy fill. (UL94V-0)
- ◆ Small and compact.

■ Specification

- ◆ Standard : UL810 (File No. E76560)
CSA (File No. LR99617)
- ◆ Capacitance : -5 to +10 %
- ◆ Tolerance : -25 to +70 °C
- ◆ Temperature Range : More than 1000 MΩ
- ◆ Insulation Resistance : Less than 0.4 %
- ◆ Dissipation Factor
- ◆ Withstand voltage : 1.75 x rated voltage for 60 sec.
Between terminal : 2 x rated voltage for 60 sec. (min.2000V)
Terminal to case

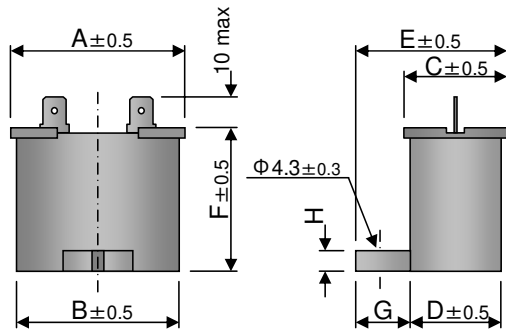
■ Applications (ex.)

- ◆ Motor run applications
- ◆ Washing machine
- ◆ Refrigerator (Compressor / Fan motor)
- ◆ Fan motors
- ◆ Lighting (Power factor improvement)

Dry Stack type

SMF series (SH-JPS type)

■ Rating and Dimension



VOLT. (VAC)	CAP. (MFD)	DIMENSION (mm)								Factory Code	UL Code
		A	B	C	D	E	F	G	H		
180	7.5	39.5	38.0	17.5	16.0	28.0	30.5	11	4	JS181755-AA	JSU18X755AQF
	10	39.5	38.0	22.0	20.5	32.5	30.5	11	4	JS181106-AA	JSU18X106AQJ
	12	39.5	38.0	22.0	20.4	34.2	32.0	13	4	JS181126-AA	JSU18X126AQH
	15	39.5	38.0	26.7	25.2	37.0	32.0	11	4	JS181156-AA	JSU18X156AQP
	20	39.5	38.0	26.7	25.2	37.0	41.0	11	4	JS181206-AA	JSU18X206AQD
210	8	39.5	38.0	22.0	20.5	32.5	30.5	11	4	JS211805-AA	JSU21X805AQA
	10	39.5	38.0	22.0	20.4	34.2	32.0	13	4	JS211106-AA	JSU21X106AQB
	12	39.5	38.0	26.7	25.2	37.0	32.0	11	4	JS211126-AA	JSU21X126AQE
	15	39.5	38.0	26.7	25.2	37.0	41.0	11	4	JS211156-AA	JSU21X156AQH
230	10	39.5	38.0	26.7	25.2	37.0	32.0	11	4	JS231106-AA	JSU23X106AQC
	12	39.5	38.0	26.7	25.2	37.0	41.0	11	4	JS231126-AA	JSU23X126AQE
	15	50.2	48.0	26.7	25.2	37.0	36.0	11.5	5	JS231156-AA	JSU23X156AQE

Dry Wound type

PMF series (SH-JPX type, SH-DPY type)

Metallized polypropylene film



■ Features

- ◆ Self protecting function built-in.
- ◆ Flame-retardant plastic case with Epoxy fill. (UL94V-0)
- ◆ Small and compact.

■ Specification

- ◆ Standard : UL810 (File No. E76560)
- ◆ Capacitance Tolerance : -5 to +10 %
- ◆ Temperature Range : -25 to +70 °C
- ◆ Insulation Resistance : More than 1000 MΩ
- ◆ Dissipation Factor : Less than 0.3 %
- ◆ Withstand voltage
 - Between terminal : 1.75 x rated voltage for 60 sec.
 - Terminal to case : 2 x rated voltage for 60 sec. (min.2000V)

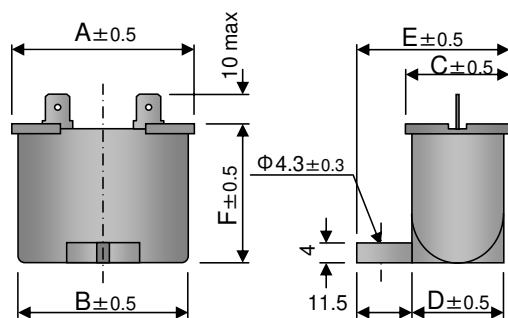
■ Applications (ex.)

- ◆ Motor run applications
- ◆ Washing machine
- ◆ Refrigerator (Compressor / Fan motor)
- ◆ Fan motors
- ◆ Lighting (Power factor improvement)

Dry Wound type

PMF series (250V:SH-JPX type, 440V:SH-DPY)

Rating and Dimension



VOLT. (VAC)	CAP. (MFD)	DIMENSION (mm)						Factory Code	UL Code (250V) VDE Code(440V)
		A	B	C	D	E	F		
250	10	49.7	48.3	24.0	22.5	34.5	34.5	JS251106-BA	SPU25X106AQSD
	12	50.0	48.5	26.7	25.3	37.5	38.0	JS251126-BA	SPU25X126AQSA
	15	50.0	48.5	30.5	28.8	41.0	41.5	JS251156-BA	SPU25X156AQSA
440	4	49.7	48.3	24.0	22.5	34.5	34.5	DS441405-BA	441405A
	5	50.0	48.5	26.7	25.3	37.5	38.0	DS441505-BA	441505A
	6	50.0	48.5	30.5	28.8	41.0	41.5	DS441605-BA	441605A

Oil Wound type

DMF series (SH-D type) - Single

Metallized polypropylene film



■ Features

- ◆ Self protecting built-in.
- ◆ Low-Loss and inherent temperature rise
- ◆ Small and compact.

■ Specification

- ◆ Standard : UL810 (File No. E76560)
EIA
- ◆ Capacitance Tolerance : -5 to +10 %
- ◆ Temperature Range : -25 to +70 °C
- ◆ Insulation Resistance : More than 1000 MΩ
- ◆ Dissipation Factor : Less than 0.3 %
- ◆ Withstand voltage
 - Between terminal : 1.75 x rated voltage for 60 sec.
 - Terminal to case : 2 x rated voltage for 60 sec. (min.2000V)

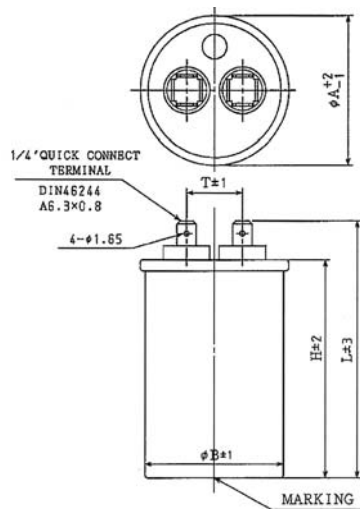
■ Applications (ex.)

- ◆ Motor run applications (Air conditioner / Refrigerator)
- ◆ Motor start applications

Oil Wound type

DMF series (SH-D type) - Single

Rating and Dimension



VOLT. (VAC)	CAP. (MFD)	DIMENSION (mm)					Factory Code	UL Code
		A	B	H	L	T		
370	15	43.0	41.0	80	93	16	DS371156-CA	BUM37X1505A
	20	43.0	41.0	90	103	16	DS371206-CA	BUM37X2005A
	25	43.0	41.0	100	113	16	DS371256-CA	BUM37X2505A
	30	43.0	41.0	110	123	16	DS371306-CA	BUM37X3005A
	35	48.0	45.0	100	113	18	DS371356-CA	BUM37X3505B
	40	48.0	45.0	110	123	18	DS371406-CA	BUM37X4005B
	45	53.0	50.5	100	113	18	DS371456-CA	BUM37X4505C
	50	53.0	50.5	110	123	18	DS371506-CA	BUM37X5005C