



Chipsmall Limited consists of a professional team with an average of over 10 year of expertise in the distribution of electronic components. Based in Hongkong, we have already established firm and mutual-benefit business relationships with customers from,Europe,America and south Asia,supplying obsolete and hard-to-find components to meet their specific needs.

With the principle of “Quality Parts,Customers Priority,Honest Operation,and Considerate Service”,our business mainly focus on the distribution of electronic components. Line cards we deal with include Microchip,ALPS,ROHM,Xilinx,Pulse,ON,Everlight and Freescale. Main products comprise IC,Modules,Potentiometer,IC Socket,Relay,Connector.Our parts cover such applications as commercial,industrial, and automotives areas.

We are looking forward to setting up business relationship with you and hope to provide you with the best service and solution. Let us make a better world for our industry!



Contact us

Tel: +86-755-8981 8866 Fax: +86-755-8427 6832

Email & Skype: info@chipsmall.com Web: www.chipsmall.com

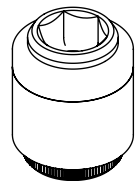
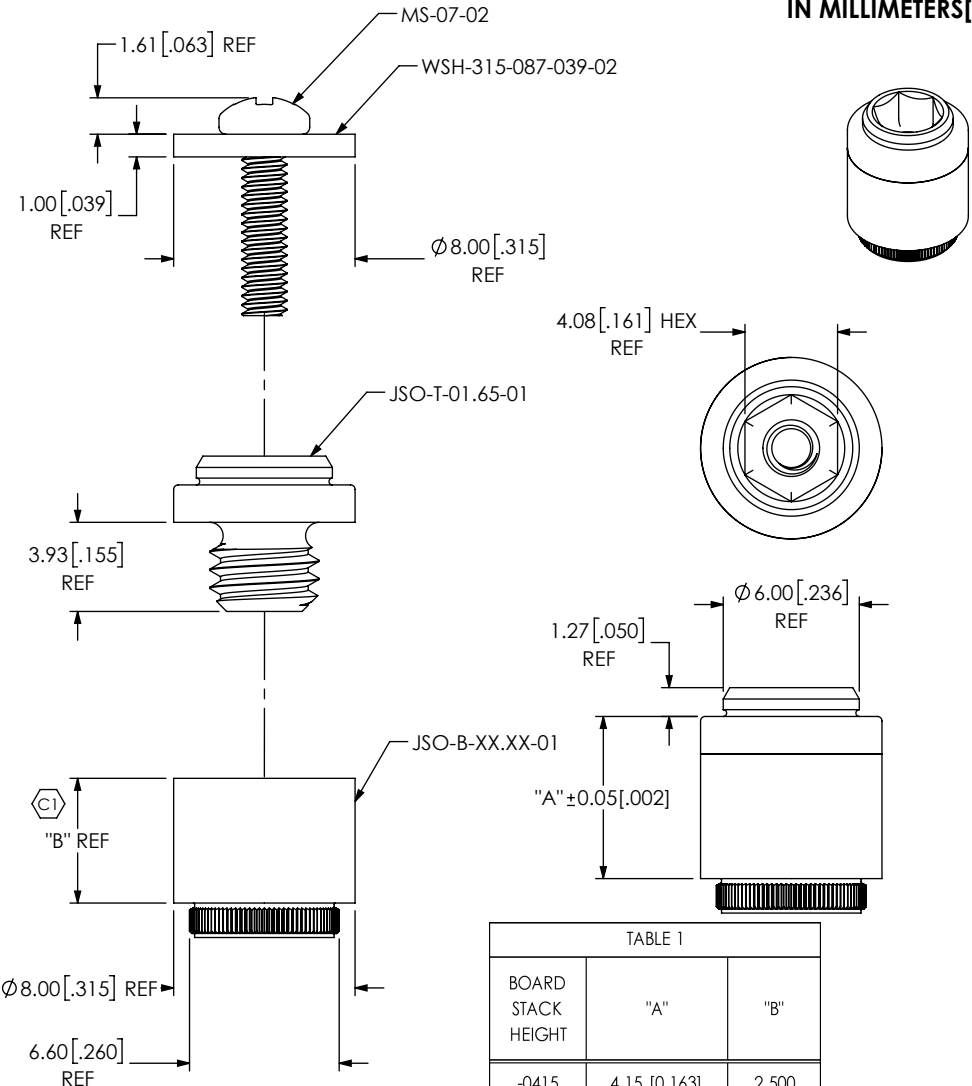
Address: A1208, Overseas Decoration Building, #122 Zhenhua RD., Futian, Shenzhen, China



DO NOT SCALE FROM THIS PRINT

DESIGNED & DIMENSIONED IN MILLIMETERS[INCHES]

JSO-XXXX-XX-X



BOARD STACK HEIGHT
 -0415,-0515,-0715,-0815,-1015,-1115,-1215,-1615,-1765,*-3500

LEAD STYLE
 -01: PRESS-IN (FOR STACK HEIGHTS -0415,-0515,-0700,-0715,-0815,-1215,-1765 ONLY)
 -03: THREADED (FOR STACK HEIGHTS -0815,-1015,-1115,-1215,-1615,*-3500 ONLY) (SEE SHT 2, FIG 2)
 *=NOT TOOLED

LOCKING OPTION
 -L: LOCKING COMPOUND (NOT AVAILABLE WITH -01 LEAD STYLE, REQUIRED FOR -03 LEAD STYLE)

RECOMMENDED BOARD CUTOUT (-01: PRESS-IN AND JACK SCREW)

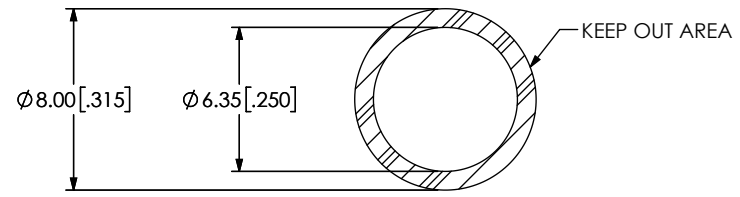


FIG 1 JSO-XXXX-01 SHOWN

PATENT PENDING

BOARD STACK HEIGHT	"A"	"B"
-0415	4.15 [0.163]	2.500
-0515	5.15 [0.203]	3.500
-0700	7.00 [0.276]	5.350
-0715	7.15 [0.281]	5.500
-0815	8.15 [0.321]	6.500
-1015	10.15 [0.400]	8.500
-1115	11.15 [0.439]	9.500
-1215	12.15 [0.478]	10.500
-1615	16.15 [0.636]	14.500
-1765	17.65 [0.695]	16.000
*-3500	35.00 [1.378]	33.350

*=NOT TOOLED

FINISHED GOOD	STAND-OFF BASE	JACK SCREW	SCREW	NUT	WASHER
JSO-0415-01	JSO-B-02.50-01	JSO-T-01.65-01	MS-07-02	N/A	WSH-315-087-039-02
JSO-0515-01	JSO-B-03.50-01	JSO-T-01.65-01	MS-07-02	N/A	WSH-315-087-039-02
JSO-0700-01	JSO-B-05.35-01	JSO-T-01.65-01	MS-07-02	N/A	WSH-315-087-039-02
JSO-0715-01	JSO-B-05.50-01	JSO-T-01.65-01	MS-07-02	N/A	WSH-315-087-039-02
JSO-0815-01	JSO-B-06.50-01	JSO-T-01.65-01	MS-07-02	N/A	WSH-315-087-039-02
JSO-0815-03-L	JSO-B-06.50-03-L	JSO-T-01.65-01	MS-07-02	SN-03-02	WSH-315-087-039-02
JSO-1015-03-L	JSO-B-08.50-03-L	JSO-T-01.65-01	MS-07-02	SN-03-02	WSH-315-087-039-02
JSO-1115-03-L	JSO-B-09.50-03-L	JSO-T-01.65-01	MS-07-02	SN-03-02	WSH-315-087-039-02
JSO-1215-01	JSO-B-10.50-01	JSO-T-01.65-01	MS-07-02	N/A	WSH-315-087-039-02
JSO-1215-03-L	JSO-B-10.50-03-L	JSO-T-01.65-01	MS-07-02	SN-03-02	WSH-315-087-039-02
JSO-1615-03-L	JSO-B-14.50-03-L	JSO-T-01.65-01	MS-07-02	SN-03-02	WSH-315-087-039-02
JSO-1765-01	JSO-B-16.00-01	JSO-T-01.65-01	MS-07-02	N/A	WSH-315-087-039-02
*JSO-3500-03-L	*JSO-B-33.35-03-L	JSO-T-01.65-01	MS-07-02	SN-03-02	WSH-315-087-039-02

(*=NOT TOOLED)

† QTY = 1 FOR ALL COMPONENTS

- NOTES:
- Ⓢ REPRESENTS CRITICAL DIMENSION
 - STANDOFFS TO BE USED WITH 1.57[.062]MIN THICK BOARDS.
 - COMPONENTS ARE TO BE BULK PACKAGED IN SEPARATE BAGS AND SHOULD NOT LIST INDIVIDUAL COMPONENT QUANTITY ON THE LABEL. ALL COMPONENT BAGS ARE TO BE PACKAGED IN A LARGER BAG WITH THE FINAL PART NUMBER QUANTITY OF ASSEMBLIES ON THE LABEL.
 - STANDOFFS ARE DESIGNED 0.15MM LONGER THAN CONNECTOR STACK HEIGHTS TO ALLOW FOR PROCESSING VARIABLES.
 - TORQUE TO 2.5 – 3.5 IN*LB'S TO SECURE FASTENER IN A STATIC ENVIRONMENT ASSUMING RECOMMENDED BOARD TO BOARD DISTANCES ARE ACHIEVED WITHOUT DAMAGE TO THE PCB, HARDWARE OR OTHER COMPONENTS.

UNLESS OTHERWISE SPECIFIED, DIMENSIONS ARE IN MILLIMETERS. TOLERANCES ARE:
 DECIMALS ANGLES
 X.X: ±0.3 [.01]
 X.XX: ±0.13 [.005]
 X.XXX: ±0.051 [.0020]

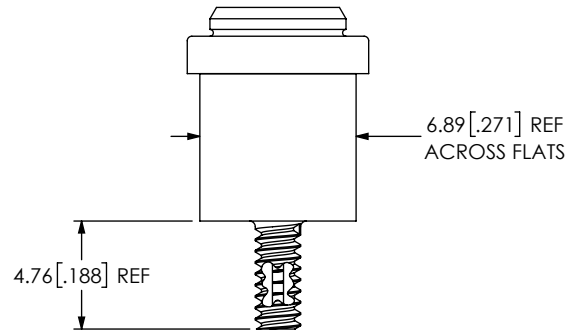
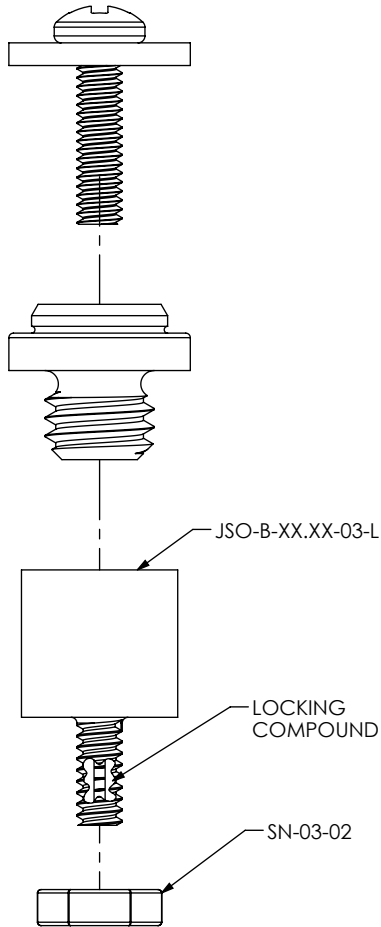
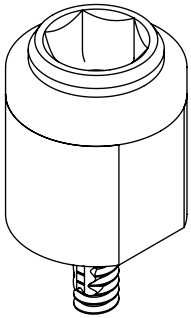
PROPRIETARY NOTE
 THIS DOCUMENT CONTAINS CONFIDENTIAL AND PROPRIETARY INFORMATION AND ALL DESIGN, MANUFACTURING, REPRODUCTION, USE, PATENT RIGHTS AND SALES RIGHTS ARE EXPRESSLY RESERVED BY SAMTEC, INC. THIS DOCUMENT SHALL NOT BE DISCLOSED, IN WHOLE OR PART, TO ANY UNAUTHORIZED PERSON OR ENTITY NOR REPRODUCED, TRANSFERRED OR INCORPORATED IN ANY OTHER PRODUCT IN ANY MANNER WITHOUT THE EXPRESS WRITTEN CONSENT OF SAMTEC, INC.

samtec
 520 PARK EAST BLVD, NEW ALBANY, IN 47150
 PHONE: 812-944-6733 FAX: 812-948-5047
 e-Mail info@SAMTEC.com code 53322

MATERIAL: DO NOT SCALE DRAWING SHEET SCALE: 3:1
 STAINLESS STEEL
 LOCKING COMPOUND

DESCRIPTION:
 JACK SCREW STAND-OFF
 DWG. NO.
 JSO-XXXX-XX-X

CRITICAL DIMENSION INSPECTION INSTRUCTION TABLE	
ASSEMBLY OPERATION	IN-PROCESS INSPECTION
RECEIVE	C1



RECOMMENDED BOARD CUTOUT
(-03: THREADED)

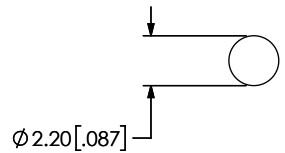


FIG 2
JSO-XXXX-03-L
(SAME AS FIG 1, EXCEPT AS SHOWN)

PROPRIETARY NOTE
THIS DOCUMENT CONTAINS CONFIDENTIAL AND PROPRIETARY INFORMATION AND ALL DESIGN, MANUFACTURING, REPRODUCTION, USE, PATENT RIGHTS AND SALES RIGHTS ARE EXPRESSLY RESERVED BY SAMTEC, INC. THIS DOCUMENT SHALL NOT BE DISCLOSED, IN WHOLE OR PART, TO ANY UNAUTHORIZED PERSON OR ENTITY NOR REPRODUCED, TRANSFERRED OR INCORPORATED IN ANY OTHER PROJECT IN ANY MANNER WITHOUT THE EXPRESS WRITTEN CONSENT OF SAMTEC, INC.

DO NOT SCALE DRAWING

SHEET SCALE: 3:1

samtec

520 PARK EAST BLVD, NEW ALBANY, IN 47150
PHONE: 812-944-6733 FAX: 812-948-5047
e-Mail info@SAMTEC.com code 55322

DESCRIPTION: JACK SCREW STAND-OFF

DWG. NO. JSO-XXXX-XX-X

BY: KYLE B 2/4/2014 SHEET 2 OF 2