



Chipsmall Limited consists of a professional team with an average of over 10 year of expertise in the distribution of electronic components. Based in Hongkong, we have already established firm and mutual-benefit business relationships with customers from,Europe,America and south Asia,supplying obsolete and hard-to-find components to meet their specific needs.

With the principle of “Quality Parts,Customers Priority,Honest Operation,and Considerate Service”,our business mainly focus on the distribution of electronic components. Line cards we deal with include Microchip,ALPS,ROHM,Xilinx,Pulse,ON,Everlight and Freescale. Main products comprise IC,Modules,Potentiometer,IC Socket,Relay,Connector.Our parts cover such applications as commercial,industrial, and automotives areas.

We are looking forward to setting up business relationship with you and hope to provide you with the best service and solution. Let us make a better world for our industry!



## Contact us

Tel: +86-755-8981 8866 Fax: +86-755-8427 6832

Email & Skype: info@chipsmall.com Web: www.chipsmall.com

Address: A1208, Overseas Decoration Building, #122 Zhenhua RD., Futian, Shenzhen, China





**Mallory Sonalert Products, Inc.**

Part #: **JT028-RG-CDL**

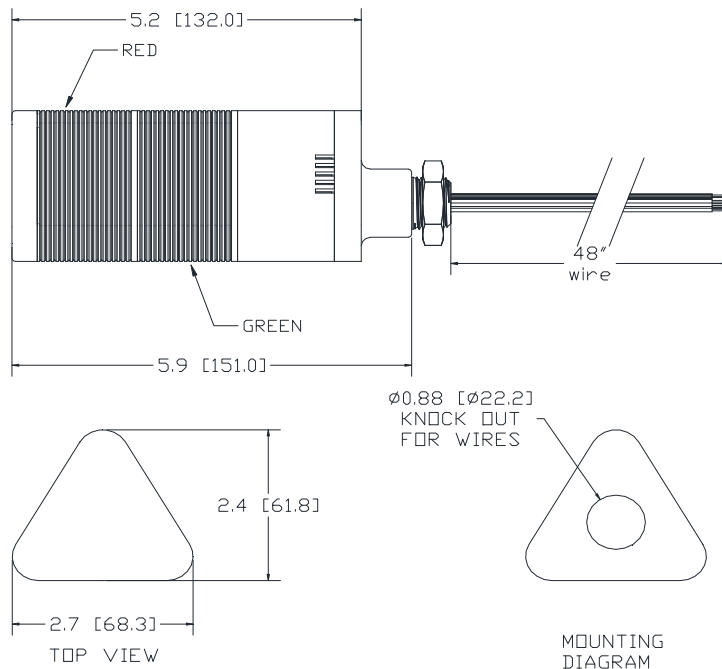
**Sales Outline Drawing**

Revision: **B**

**Specifications:**

Stack Number:	1	2		
LED Color:	RED	GREEN		
Connection Wires:	Red and Brown	Green and Brown		
LED Current Draw:	<50mA	<40mA		
Rated Voltage:	24 VAC/DC			
Operating Voltage:	20-28 VAC/DC			
Sound Level Category:	Loud	Loud	Loud	Loud
Mode of Operation:	Continuous	Medium Pulse (5PPS)	Double Pulse (0.5PPS)	Continuous for 5 sec then 0.1s beep until reset
Connection:	Black and Gray Wires	Black and Gray Wires; Orange wire connected to Green/Yellow wire	Black and Gray Wires; Purple wire connected to Green/Yellow wire	Black and Gray wires; Orange and Purple wires connected to Green/Yellow wire
Sound Current Draw:	40mA Max.	40mA Max.	40mA Max.	40mA Max.
Loudness @ 1m:	80-85 dB(A) Typ.			
Frequency:	2000 ± 500 Hz			
Total Max Current:	<130mA with all LED's and Sound unit working			
Operating Temperature:	-25° ~ +60°C			
Lens Color:	Opaque White			
Material:	ABS FR15U			
Mounting Method:	Direct Mount using 1/2" NPT Stainless Steel Pipe and Nut			
Weight Typical (g):	315			
NEMA 12:	Approved			
Options:	Please contact factory.			

**Dimensions:** Inches (mm) **cUL Recognized** **ROHS Compliant**



<b>LED OPERATION:</b>	CONNECT STACK COLOR WIRE TO POWER AND BROWN WIRE TO POWER.
<b>SOUND OPERATION:</b>	CONNECT GRAY AND BLACK WIRES TO POWER FOR CONTINUOUS SOUND. FOR MEDIUM PULSE, CONNECT GRAY & BLACK TO POWER AND ORANGE WIRE TO GREEN/YELLOW WIRE. FOR DOUBLE PULSE, CONNECT GRAY & BLACK TO POWER AND PURPLE WIRE TO GREEN/YELLOW WIRE. FOR CONT/BEEP, CONNECT GRAY & BLACK TO POWER AND ORANGE & PURPLE TO GREEN/YELLOW WIRE.