



Chipsmall Limited consists of a professional team with an average of over 10 year of expertise in the distribution of electronic components. Based in Hongkong, we have already established firm and mutual-benefit business relationships with customers from,Europe,America and south Asia,supplying obsolete and hard-to-find components to meet their specific needs.

With the principle of “Quality Parts,Customers Priority,Honest Operation,and Considerate Service”,our business mainly focus on the distribution of electronic components. Line cards we deal with include Microchip,ALPS,ROHM,Xilinx,Pulse,ON,Everlight and Freescale. Main products comprise IC,Modules,Potentiometer,IC Socket,Relay,Connector.Our parts cover such applications as commercial,industrial, and automotives areas.

We are looking forward to setting up business relationship with you and hope to provide you with the best service and solution. Let us make a better world for our industry!



## Contact us

Tel: +86-755-8981 8866 Fax: +86-755-8427 6832

Email & Skype: info@chipsmall.com Web: www.chipsmall.com

Address: A1208, Overseas Decoration Building, #122 Zhenhua RD., Futian, Shenzhen, China





**Mallory Sonalert Products, Inc.**

Part #: **JT120-R-CD**

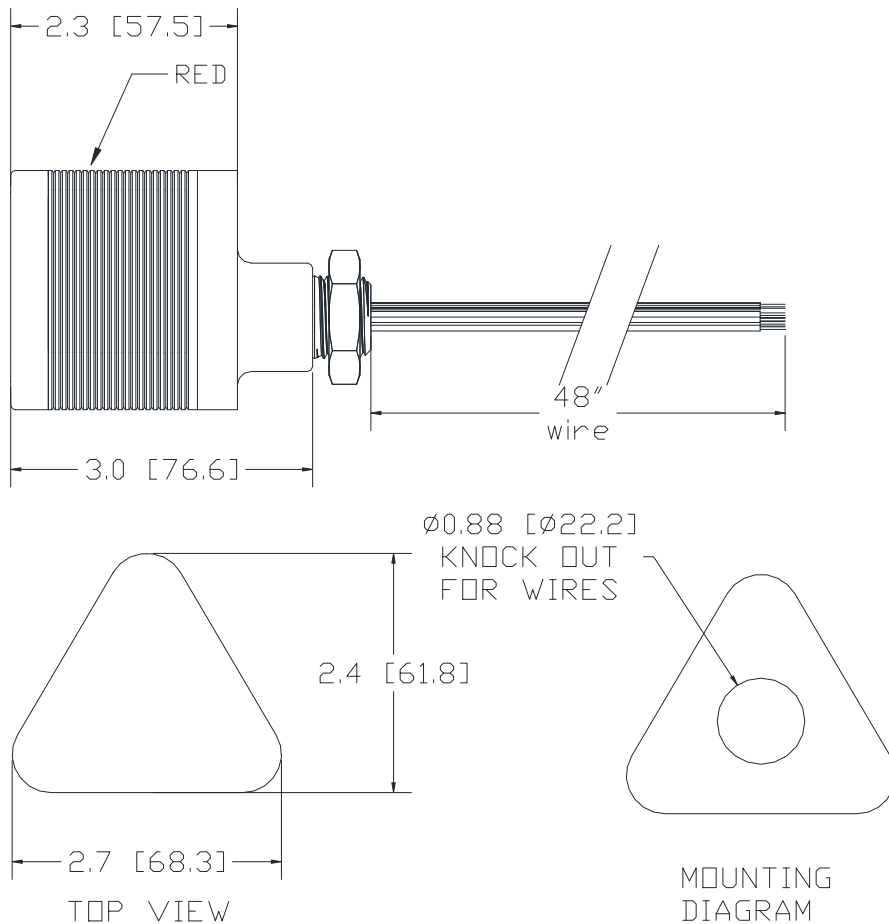
**Sales Outline Drawing**

Revision: **B**

**Specifications:**

Stack Number:	1				
LED Color:	RED				
Connection Wires:	Red and Brown				
LED Current Draw:	<210mA				
Rated Voltage:		120 VAC			
Operating Voltage:		90-120 VAC			
Operating Temperature:		-25° ~ +60°C			
Lens Color:		Opaque White			
Material:		ABS FR15U			
Mounting Method:		Direct Mount using 1/2" NPT Stainless Steel Pipe and Nut			
Weight Typical (g):		160			
NEMA 12:		Approved			
Options:		Please contact factory.			

**Dimensions:** Inches (mm) **cUL Recognized** **ROHS Compliant**



**LED OPERATION:** CONNECT STACK COLOR WIRE TO POWER AND BROWN WIRE TO POWER.