



Chipsmall Limited consists of a professional team with an average of over 10 year of expertise in the distribution of electronic components. Based in Hongkong, we have already established firm and mutual-benefit business relationships with customers from,Europe,America and south Asia,supplying obsolete and hard-to-find components to meet their specific needs.

With the principle of "Quality Parts,Customers Priority,Honest Operation,and Considerate Service",our business mainly focus on the distribution of electronic components. Line cards we deal with include Microchip,ALPS,ROHM,Xilinx,Pulse,ON,Everlight and Freescale. Main products comprise IC,Modules,Potentiometer,IC Socket,Relay,Connector.Our parts cover such applications as commercial,industrial, and automotives areas.

We are looking forward to setting up business relationship with you and hope to provide you with the best service and solution. Let us make a better world for our industry!



## Contact us

Tel: +86-755-8981 8866 Fax: +86-755-8427 6832

Email & Skype: info@chipsmall.com Web: www.chipsmall.com

Address: A1208, Overseas Decoration Building, #122 Zhenhua RD., Futian, Shenzhen, China



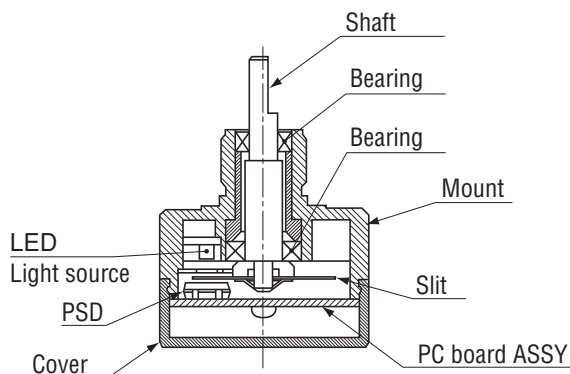
# OPTICAL CONTACTLESS TYPE

# JT22 series

RoHS compliant



## Basic construction

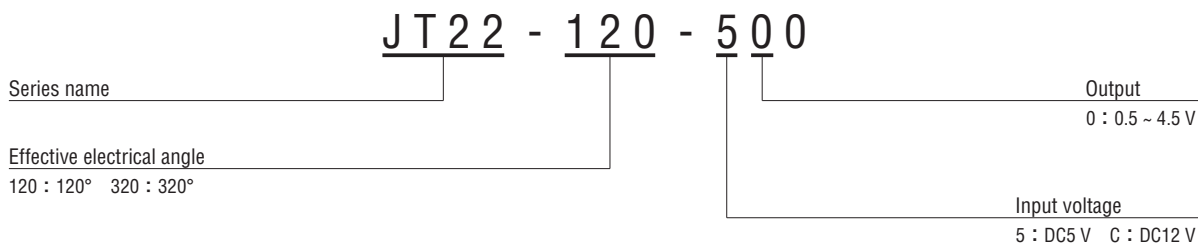


## FEATURES

- Contactless configuration offers much longer life
- Low torque 0.147 mN·m {1.5 gf·cm} maximum
- Superior temperature characteristic due to temperature compensation circuit incorporated
- Wide effective electrical angle (120° • 320°)
- RoHS compliant

## Optical contactless single turn type

## PART NUMBER DESIGNATION



## LIST OF PART NUMBERS

Effective electrical angle	Input voltage	Part number
120°	DC5 V	JT22-120-500
	DC12 V	JT22-120-C00
320°	DC5 V	JT22-320-500
	DC12 V	JT22-320-C00

※ Verify the above part numbers when placing orders.

# JT22

## POTENTIOMETERS

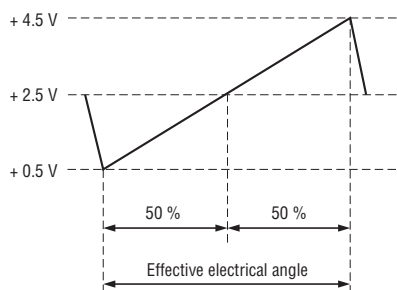
### STANDARD SPECIFICATIONS

#### Electrical characteristics

Input voltage	DC5 V $\pm$ 0.25 V	DC12 V $\pm$ 0.6 V
Dissipation	40 mA maximum	
Effective electrical angle	120°	320°
Output voltage	+0.5 ~ +4.5 V	
Absolute linearity ※1	$\pm$ 3.0 %	
Temperature sensitivity	$\pm$ 3.0 %FS ( $\pm$ 2.0 %FS/-30 ~ 70 °C)	
Temperature medium drift	$\pm$ 40 mV	
Insulation resistance	100 M $\Omega$ (at DC500 V) minimum	
Dielectric strength	AC500 V (1 min)	

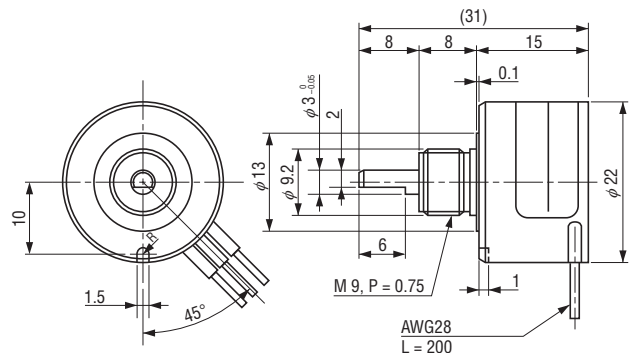
※ 1 At normal temp.

#### OUTPUT

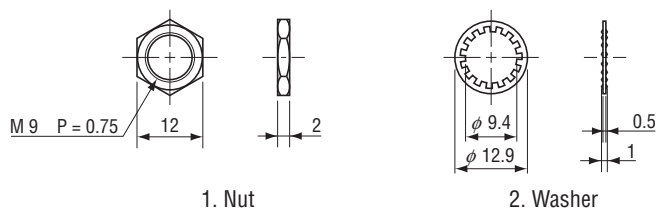


※ The output increases with CW shaft rotation.

#### OUTLINE DIMENSIONS



#### <Accessories>



(Unit: mm)

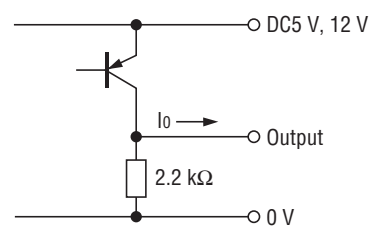
#### Mechanical characteristics

Starting torque	0.147 mN·m {1.5 gf·cm} maximum (at normal temp.)
Maximum rotational speed	1500 min <sup>-1</sup>
Mechanical angle	360° continuous
Rotational life	1 × 10 <sup>8</sup> revolution (at 25 °C, 200 min <sup>-1</sup> )
Vibration	147 m/s <sup>2</sup> {15 G} 30 ~ 200 Hz, 30 h
Shock	294.2 m/s <sup>2</sup> {30 G} minimum
Strength of tighten screw	0.49 N·m {5 kgf·cm} maximum

#### Environmental characteristics

Operating temp. range	-30 ~ 80 °C
Storage temp. range	-30 ~ 85 °C
Humidity	Relative humidity 95 % maximum
Net weight	Approx. 12g
Protection grade	IP40

#### OUTPUT CIRCUITRY



I<sub>o</sub>は、20 mA max.

#### ELECTRICAL WIRING

Red	Power ⊕
Black	Power 0 (V)
White	Output