



Chipsmall Limited consists of a professional team with an average of over 10 year of expertise in the distribution of electronic components. Based in Hongkong, we have already established firm and mutual-benefit business relationships with customers from,Europe,America and south Asia,supplying obsolete and hard-to-find components to meet their specific needs.

With the principle of “Quality Parts,Customers Priority,Honest Operation,and Considerate Service”,our business mainly focus on the distribution of electronic components. Line cards we deal with include Microchip,ALPS,ROHM,Xilinx,Pulse,ON,Everlight and Freescale. Main products comprise IC,Modules,Potentiometer,IC Socket,Relay,Connector.Our parts cover such applications as commercial,industrial, and automotives areas.

We are looking forward to setting up business relationship with you and hope to provide you with the best service and solution. Let us make a better world for our industry!



## Contact us

Tel: +86-755-8981 8866 Fax: +86-755-8427 6832

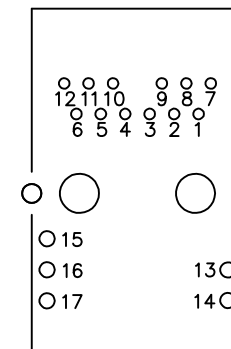
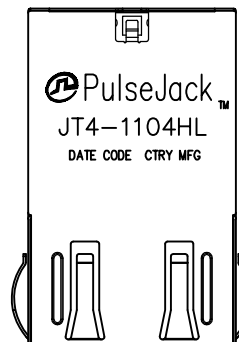
Email & Skype: info@chipsmall.com Web: www.chipsmall.com

Address: A1208, Overseas Decoration Building, #122 Zhenhua RD., Futian, Shenzhen, China

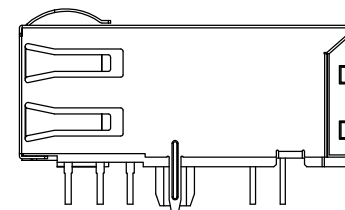
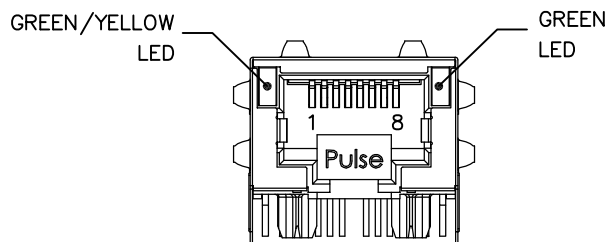


NOTES:

1. ROHS COMPLIANT
2. PLASTIC HOUSING: THERMOPLASTIC MATERIAL WITH FLAMMABILITY RATING UL 94V-0 OR BETTER.
3. CONTACTS PLATING: 50 MICRO-INCH GOLD PLATING.
4. CONTACTS BASE MATERIAL: PHOSPHOR BRONZE
5. UNDER PLATING: 50u INCHES NICKEL
6. SOLDER TAIL PLATING : 200-500 uINCHES 100% TIN, MATTE FINISH.
7. METAL SHIELD: NICKEL PLATING ON COPPER ALLOY.
8. JACK CAVITY CONFORMS TO FCC PART 68 SUBPART.
9. PCB PLATING: HASL SN100C
10. STORAGE TEMPERATURE: -20°C TO +125°C
11. COMPLIANCE TO J-STD:
  - A. J-STD-002: SOLDERABILITY AT 245°C DIP AND LOOK TEST
  - B. J-STD-020: LEVEL 1, NO MOISTURE SENSITIVE
  - C. J-STD-075: W2, 270°C MAXIMUM THROUGH WAVE SOLDER

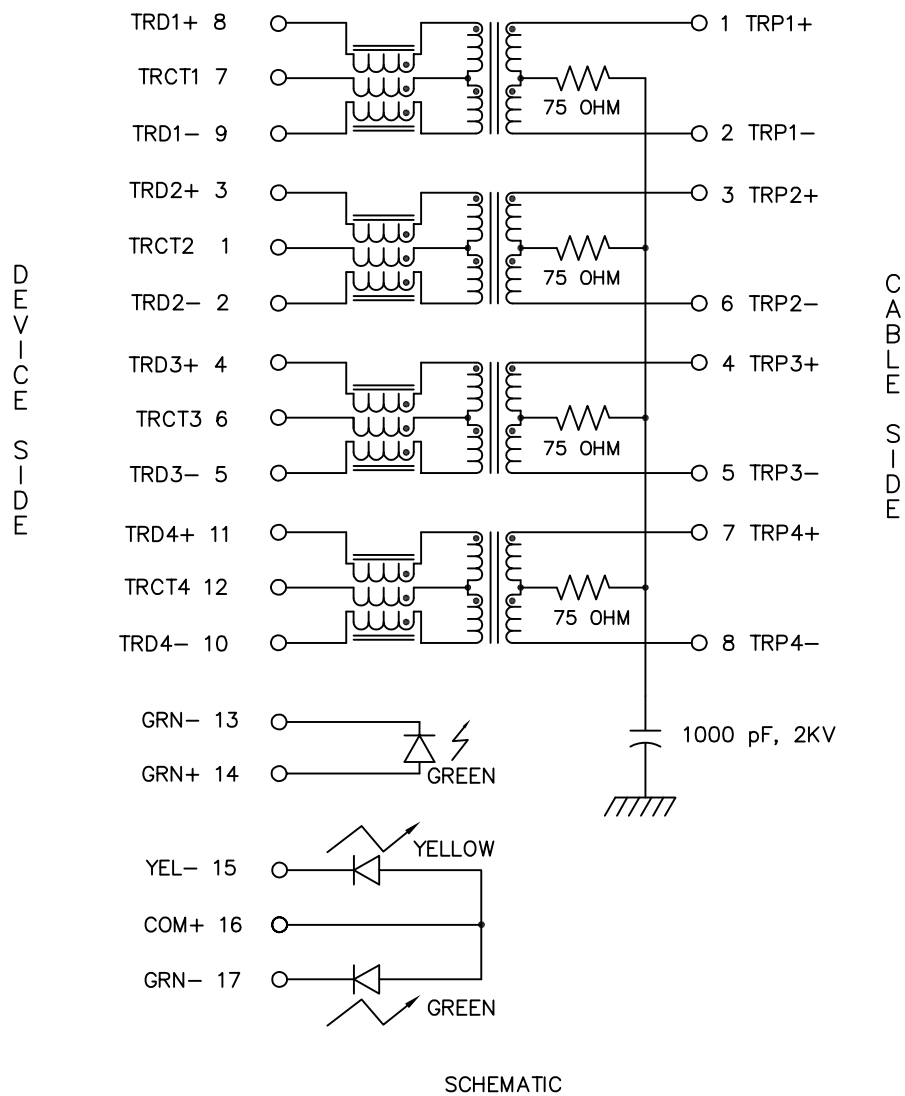


PIN ASSIGNMENT  
VIEWED FROM COMPONENT SIDE



© Copyright, 2015. Pulse Electronics Corp. All rights reserved. Pulse confidential & proprietary. (12/25/15)

| PRODUCT DESCRIPTION       | TLA DRAWING   | PS DRAWING    | SHEET  | PART NO.   | DATASHEET REV. |
|---------------------------|---------------|---------------|--------|------------|----------------|
| CONN,RJ45,1X1,10GD,1:1,TY | JT4-1104HL-10 | PS-2615.005-C | 1 OF 4 | JT4-1104HL | A              |



ELECTRICAL CHARACTERISTICS AT +25°C UNLESS OTHER SPECIFIED  
MEETS IEEE 802.3 SPECIFICATION

| PARAMETER                                    | SPECIFICATIONS               |                           |             |
|----------------------------------------------|------------------------------|---------------------------|-------------|
| OPERATING TEMP                               | 0°C TO +70°C                 |                           |             |
| URNS RATIO                                   | 1.00 ± 2%                    |                           |             |
| POLARITY                                     | PER SCHEMATIC                |                           |             |
| INSERTION LOSS                               | 100 KHz                      | 1-400 MHz                 |             |
|                                              | -3.0 dB MAX                  | -2.0 dB MAX (-1.4 dB TYP) |             |
| RETURN LOSS<br>(Z OUT = 100 OHM ± 1%)        | 1-100 MHz                    | 100 MHz-500 MHz           |             |
|                                              | -22 dB MIN                   | -22 + 18.27*LOG (f/100)   |             |
| INDUCTANCE (OCL)                             | 180 uH MIN @ 100 kHz, 100 mV |                           |             |
| CROSSTALK, ADJACENT CHANNELS                 | 1-100 MHz                    | 100-500 MHz               |             |
|                                              | -28 dB MIN                   | -19 dB MIN                |             |
| COMMON MODE REJECTION RATIO                  | 1-40 MHz                     | 40-100 MHz                | 100-500 MHz |
|                                              | -30 dB MIN                   | -28 dB MIN                | -26 dB MIN  |
|                                              |                              |                           |             |
| COMMON TO DIFFERENTIAL MODE REJECTION (CDMR) | 1-250 MHz                    | 250-500 MHz               |             |
|                                              | -30 dB MIN                   | -22 dB MIN                |             |
| INPUT - OUTPUT ISOLATION                     | 2250 VDC MIN @ 60 SECONDS    |                           |             |

NOTE: f IS FREQUENCY IN MHZ.

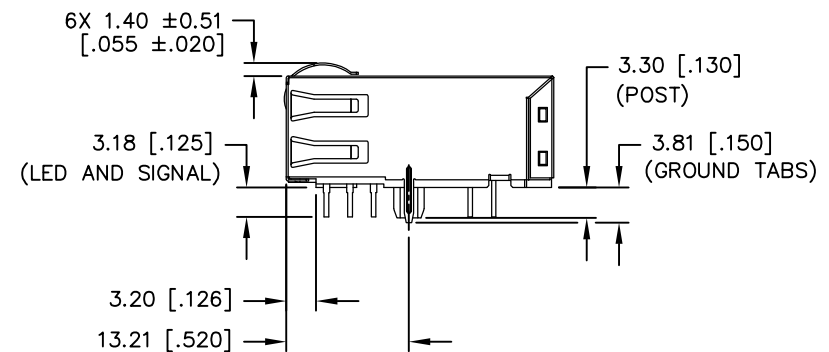
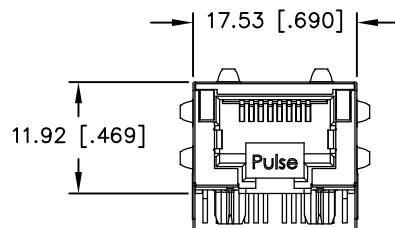
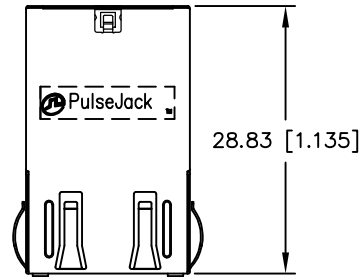
| EMMITTED COLOR             | GREEN      | YELLOW     | GREEN      |
|----------------------------|------------|------------|------------|
| WAVELENGTH (nm)            | 565        | 588        | 565        |
| POWER DISSIPATION (Pd)     | 105 mW MAX | 100 mW MAX | 100 mW MAX |
| DC FORWARD CURRENT         | 25 mA MAX  | 30 mA MAX  | 30 mA MAX  |
| FORWARD VOLTAGE (VF) @20mA | 2.2 V TYP  | 2.1 V TYP  | 2.2 V TYP  |

BICOLOR

NOTE: PER VENDOR'S SPECIFICATION

© Copyright, 2015. Pulse Electronics Corp. All rights reserved. Pulse confidential & proprietary. (12/25/15)

| PRODUCT DESCRIPTION       | TLA DRAWING   | PS DRAWING    | SHEET  | PART NO.   | DATASHEET REV. |
|---------------------------|---------------|---------------|--------|------------|----------------|
| CONN,RJ45,1X1,10GD,1:1,TY | JT4-1104HL-10 | PS-2615.005-C | 2 OF 4 | JT4-1104HL | A              |

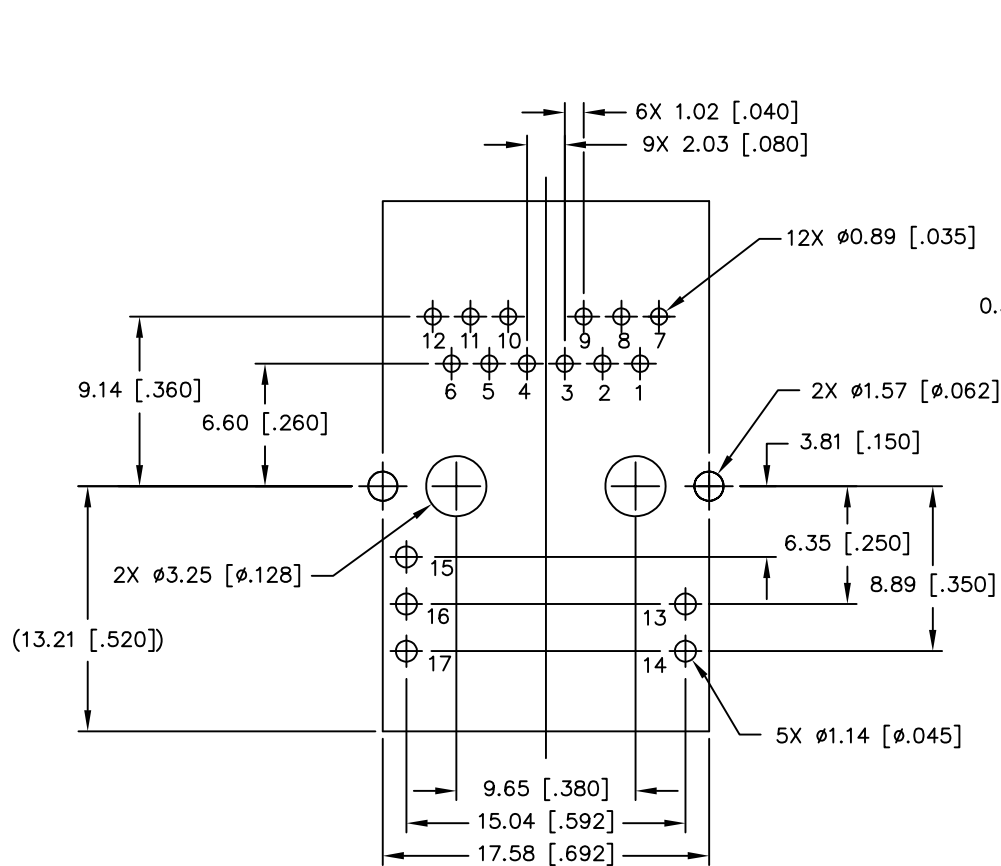


DIMENSIONS ARE IN MILLIMETERS [INCHES] WITH THE FOLLOWING TOLERANCES: [INCHES] ARE FOR REFERENCE ONLY.

X.XX [.XXX] = ±0.25 [±.010]

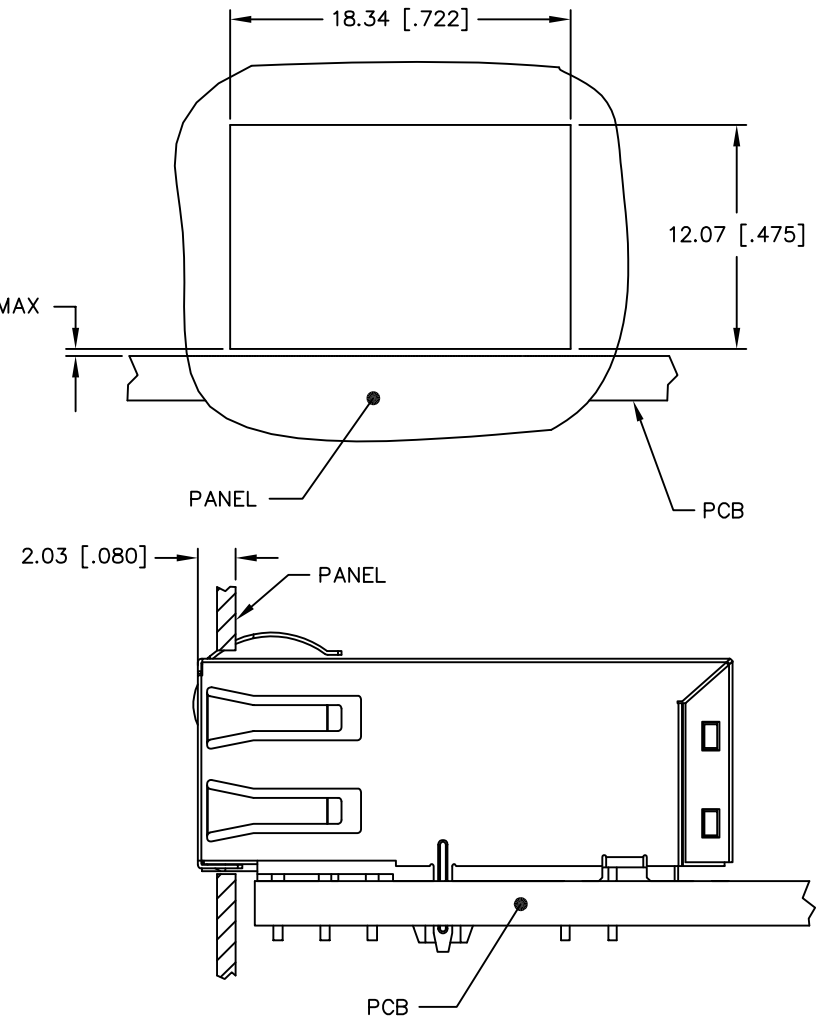
© Copyright, 2015. Pulse Electronics Corp. All rights reserved. Pulse confidential & proprietary. (12/25/15)

| PRODUCT DESCRIPTION       | TLA DRAWING   | PS DRAWING    | SHEET  | PART NO.   | DATASHEET REV. |
|---------------------------|---------------|---------------|--------|------------|----------------|
| CONN,RJ45,1X1,10GD,1:1,TY | JT4-1104HL-10 | PS-2615.005-C | 3 OF 4 | JT4-1104HL | A              |



SUGGESTED FOOTPRINT (COMPONENT SIDE SHOWN)

DIMENSIONS ARE IN MILLIMETERS [INCHES] WITH THE FOLLOWING TOLERANCES: [INCHES] ARE FOR REFERENCE ONLY.  
X.XX [.XXX] =  $\pm 0.08$  [ $\pm 0.003$ ]



SUGGESTED PANEL CUTOUT  
DIMENSIONS ARE IN MILLIMETERS [INCHES] WITH THE FOLLOWING TOLERANCES: [INCHES] ARE FOR REFERENCE ONLY.  
X.XX [.XXX] =  $\pm 0.10$  [ $\pm 0.004$ ]

© Copyright, 2015. Pulse Electronics Corp. All rights reserved. Pulse confidential & proprietary. (12/25/15)

| PRODUCT DESCRIPTION       | TLA DRAWING   | PS DRAWING    | SHEET  | PART NO.   | DATASHEET REV. |
|---------------------------|---------------|---------------|--------|------------|----------------|
| CONN,RJ45,1X1,10GD,1:1,TY | JT4-1104HL-10 | PS-2615.005-C | 4 OF 4 | JT4-1104HL | A              |