



Chipsmall Limited consists of a professional team with an average of over 10 year of expertise in the distribution of electronic components. Based in Hongkong, we have already established firm and mutual-benefit business relationships with customers from,Europe,America and south Asia,supplying obsolete and hard-to-find components to meet their specific needs.

With the principle of “Quality Parts,Customers Priority,Honest Operation,and Considerate Service”,our business mainly focus on the distribution of electronic components. Line cards we deal with include Microchip,ALPS,ROHM,Xilinx,Pulse,ON,Everlight and Freescale. Main products comprise IC,Modules,Potentiometer,IC Socket,Relay,Connector.Our parts cover such applications as commercial,industrial, and automotives areas.

We are looking forward to setting up business relationship with you and hope to provide you with the best service and solution. Let us make a better world for our industry!



Contact us

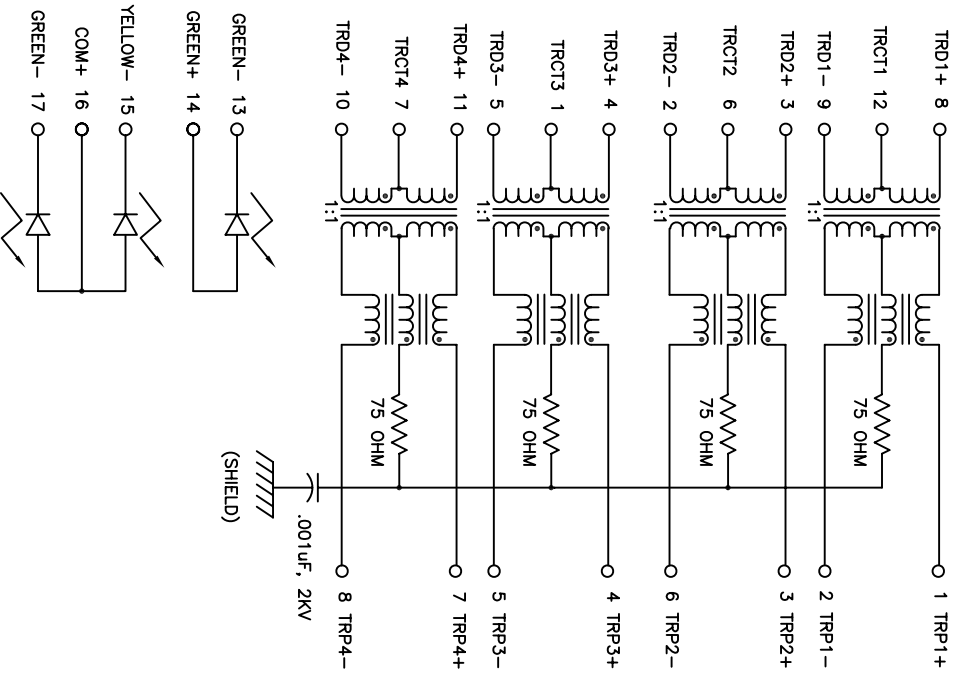
Tel: +86-755-8981 8866 Fax: +86-755-8427 6832

Email & Skype: info@chipsmall.com Web: www.chipsmall.com

Address: A1208, Overseas Decoration Building, #122 Zhenhua RD., Futian, Shenzhen, China



PCB SIDE



CABLE SIDE

ELECTRICAL CHARACTERISTICS AT +25°C UNLESS OTHERWISE SPECIFIED

| PARAMETER | SPECIFICATIONS | |
|--|------------------------------|---------------------------|
| | INSERTION LOSS | 100 KHz |
| RETURN LOSS (Z OUT = 100 OHM ± 1%) | 1-40 MHz | 40 MHz-500 MHz |
| INDUCTANCE (OCL) | 120 uH MIN @ 100 KHz, 100 mV | |
| CROSSTALK, ADJACENT CHANNELS | 1-100 MHz | 100-500 MHz |
| COMMON MODE REJECTION RATIO | 1-100 MHz | 100-300 MHz 300-500 MHz |
| COMMON TO DIFFERENTIAL MODE REJECTION (CDMR) | -35 dB MIN | -30 dB MIN -25 dB MIN |
| INPUT - OUTPUT ISOLATION | 1-250 MHz | 250-500 MHz |
| | -30 dB MIN | -22 dB MIN |
| | 2250 VDC MIN @ 60 SECONDS | |

NOTE: f IS FREQUENCY IN MHZ.

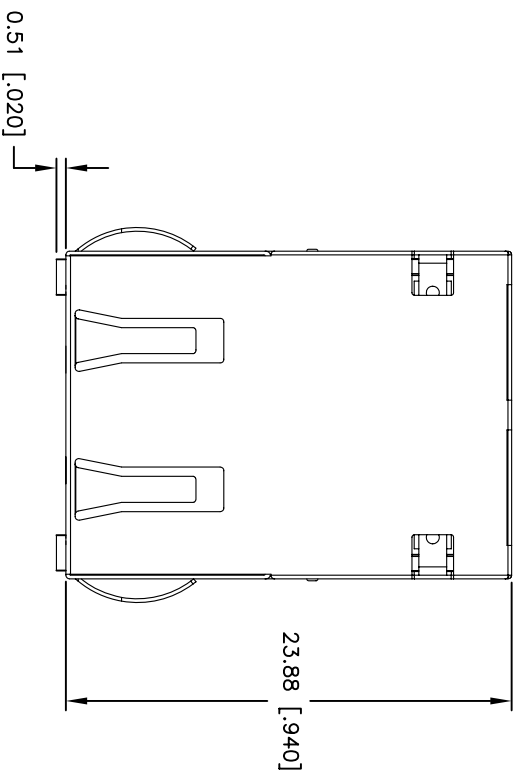
| EMITTED COLOR | GREEN | YELLOW | GREEN |
|-----------------------------|-----------|------------|-----------|
| WAVE LENGTH (nm) | 570 | 588 | 570 |
| POWER DISSIPATION (Pd) | 85 mW MAX | 100 mW MAX | 85 mW MAX |
| DC FORWARD CURRENT | 25 mA MAX | 30 mA MAX | 25 mA MAX |
| FORWARD VOLTAGE (VF) @ 20mA | 2.2 V TYP | 2.1 V TYP | 2.2 V TYP |

NOTE: PER VENDOR'S SPECIFICATION BICOLOR

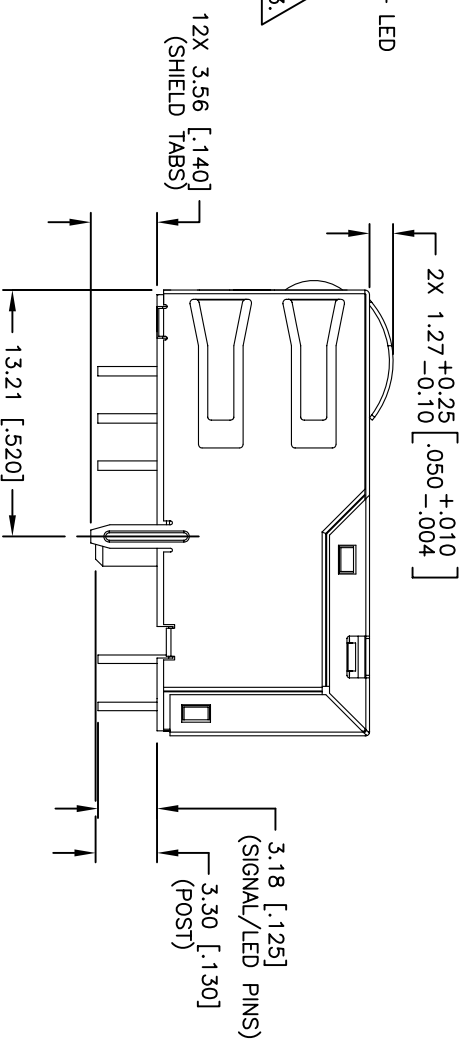
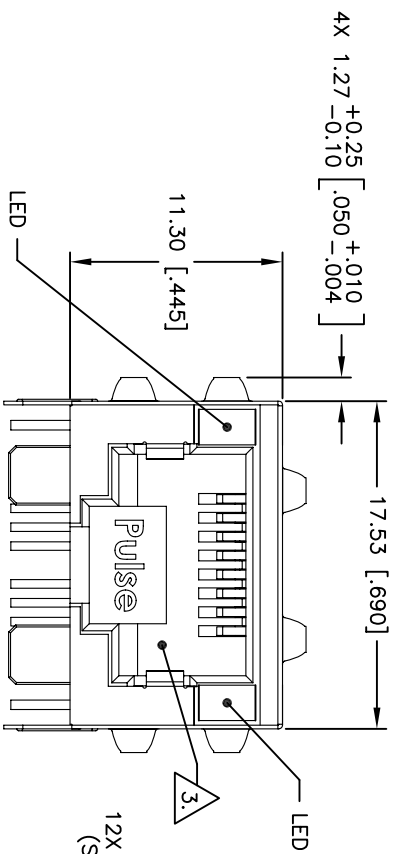
SCHEMATIC

© Copyright, 2010. Pulse Engineering, Inc. All rights reserved. Drawing specifications subject to change without notice. (11/02/10)

| | | | | | |
|--|----------------------|---------------|--------|---------------------|------|
| PULSE CONFIDENTIAL & PROPRIETARY | PRODUCT DESCRIPTION | PS DRAWING | SHEET: | DWG. NO. / PART NO. | REV. |
| | CONN,RJ45,1X1,10G,G2 | PS-2484.009-B | 2 | JTH-0024NL | M10 |



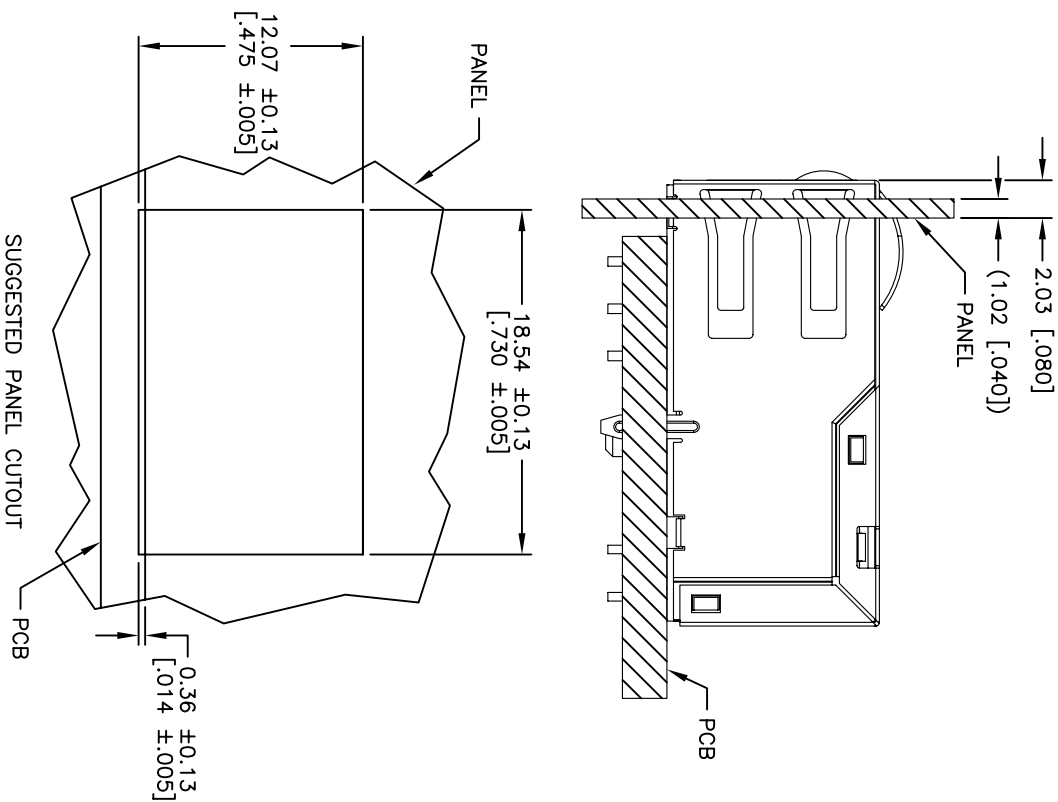
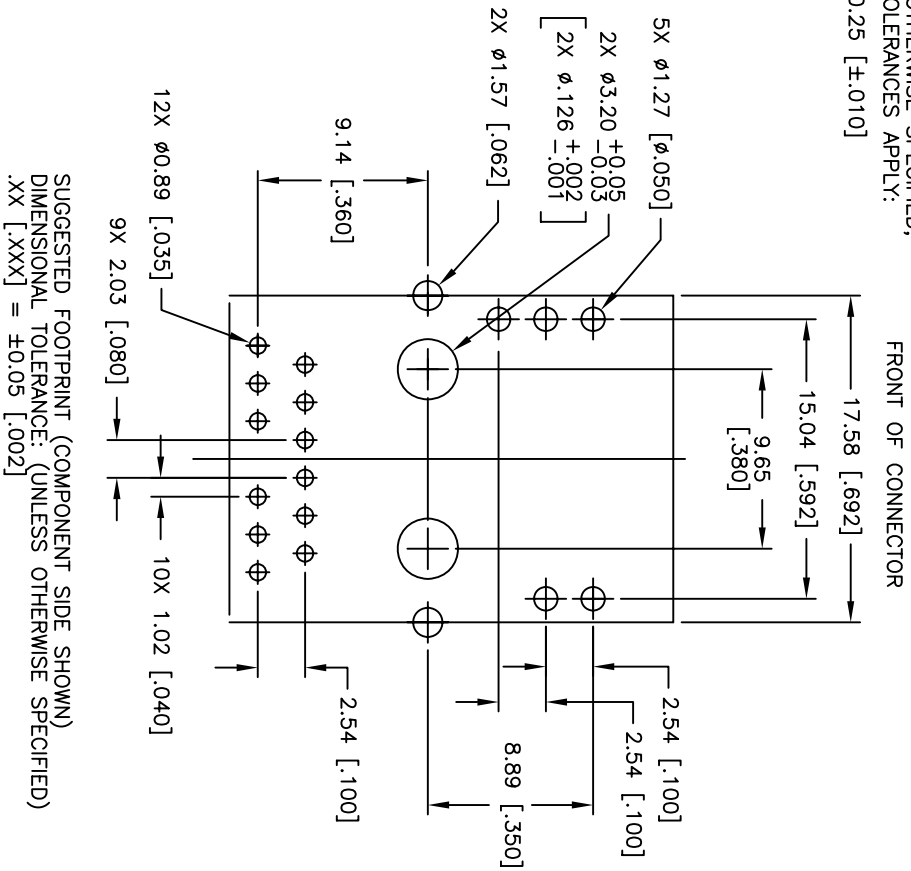
ALL DIMENSION ARE SHOWN IN METRIC.
DIMENSIONS SHOWN IN BRACKETS ARE
INCHES, UNLESS OTHERWISE SPECIFIED,
THE FOLLOWING TOLERANCES APPLY:
X.XX [.XXX] = ±0.25 [±.010]



© Copyright, 2010. Pulse Engineering, Inc. All rights reserved. Drawing specifications subject to change without notice. (11/02/10)

| | | | | | |
|--|----------------------|---------------|--------|---------------------|------|
| PULSE CONFIDENTIAL & PROPRIETARY | PRODUCT DESCRIPTION | PS DRAWING | SHEET: | DWG. NO. / PART NO. | REV. |
| | CONN,RJ45,1X1,10G,G2 | PS-2484.009-B | 3 | JTH-0024NL | M10 |

ALL DIMENSION ARE SHOWN IN METRIC.
DIMENSIONS SHOWN IN BRACKETS ARE
INCHES, UNLESS OTHERWISE SPECIFIED,
THE FOLLOWING TOLERANCES APPLY:
X.XX [.XXX] = ± 0.25 [$\pm .010$]



© Copyright, 2010. Pulse Engineering, Inc. All rights reserved. Drawing specifications subject to change without notice. (11/02/10)

| | | | | | |
|--|----------------------|---------------|--------|---------------------|------|
| PULSE CONFIDENTIAL & PROPRIETARY | PRODUCT DESCRIPTION | PS DRAWING | SHEET: | DWG. NO. / PART NO. | REV. |
| | CONN,RJ45,1X1,10G,G2 | PS-2484.009-B | 4 | JTH-0024NL | M10 |