



Chipsmall Limited consists of a professional team with an average of over 10 year of expertise in the distribution of electronic components. Based in Hongkong, we have already established firm and mutual-benefit business relationships with customers from,Europe,America and south Asia,supplying obsolete and hard-to-find components to meet their specific needs.

With the principle of “Quality Parts,Customers Priority,Honest Operation,and Considerate Service”,our business mainly focus on the distribution of electronic components. Line cards we deal with include Microchip,ALPS,ROHM,Xilinx,Pulse,ON,Everlight and Freescale. Main products comprise IC,Modules,Potentiometer,IC Socket,Relay,Connector.Our parts cover such applications as commercial,industrial, and automotives areas.

We are looking forward to setting up business relationship with you and hope to provide you with the best service and solution. Let us make a better world for our industry!



## Contact us

Tel: +86-755-8981 8866 Fax: +86-755-8427 6832

Email & Skype: info@chipsmall.com Web: www.chipsmall.com

Address: A1208, Overseas Decoration Building, #122 Zhenhua RD., Futian, Shenzhen, China





PCB type



TMP type

## FEATURES

- Surge withstand voltage: 6,000 V
- High switching capacity — 30 A for 1 Form A
- 2 contact arrangements — 1 Form A or 1 Form C
- “TMP” types available
- UL/C-UL recognized
- Class F types standard

## TYPICAL APPLICATIONS

- Oven
- Heating & ventilation
- Home appliance

## ORDERING INFORMATION

JTV  -  -  -

Contact arrangement  
1a: 1 Form A  
1: 1 Form C

Protective construction  
S: Sealed type  
G: Dust cover type

Mounting classification  
TMP: TMP type  
PA: PCB type

Nominal coil voltage, DC  
12V, 18V, 24V, 48V

Notes: 1. Certified by UL/C-UL  
2. 5 V, 6 V, 9 V DC types are also available. Please contact us for details.

## TYPES

### 1. 1 Form A Dust cover type

| Nominal coil voltage | Part No.      |                |
|----------------------|---------------|----------------|
|                      | PCB type      | TMP type       |
| 12V DC               | JTV1aG-PA-12V | JTV1aG-TMP-12V |
| 18V DC               | JTV1aG-PA-18V | JTV1aG-TMP-18V |
| 24V DC               | JTV1aG-PA-24V | JTV1aG-TMP-24V |
| 48V DC               | JTV1aG-PA-48V | JTV1aG-TMP-48V |

Standard packing: PCB type: Carton: 50 pcs.; Case: 500 pcs.  
TMP type: Carton: 50 pcs.; Case: 300 pcs.

### 2. 1 Form C Dust cover type

| Nominal coil voltage | Part No.     |               |
|----------------------|--------------|---------------|
|                      | PCB type     | TMP type      |
| 12V DC               | JTV1G-PA-12V | JTV1G-TMP-12V |
| 18V DC               | JTV1G-PA-18V | JTV1G-TMP-18V |
| 24V DC               | JTV1G-PA-24V | JTV1G-TMP-24V |
| 48V DC               | JTV1G-PA-48V | JTV1G-TMP-48V |

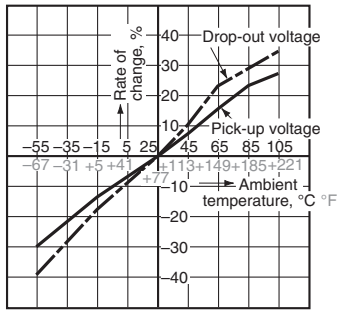
Standard packing: PCB type: Carton: 50 pcs.; Case: 500 pcs.  
TMP type: Carton: 50 pcs.; Case: 300 pcs.



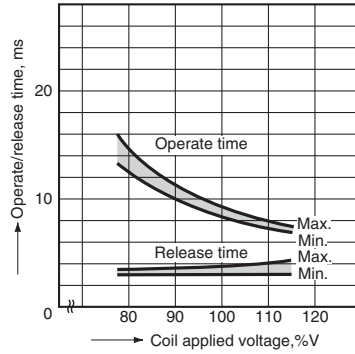


**REFERENCE DATA**

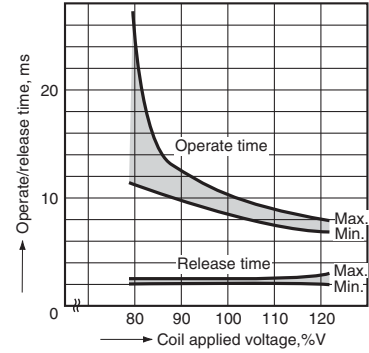
1. Change of rate of pick-up and drop-out voltage (at 20°C 68°F)  
 Sample: JTV1S-TMP-24V (6 pcs.)



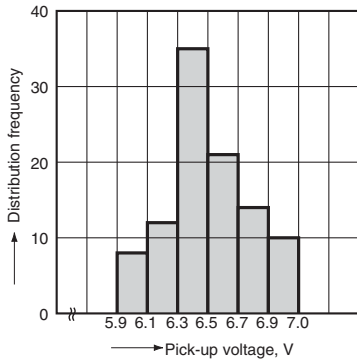
2. Operate/release time  
 Sample: JTV1S-TMP-24V



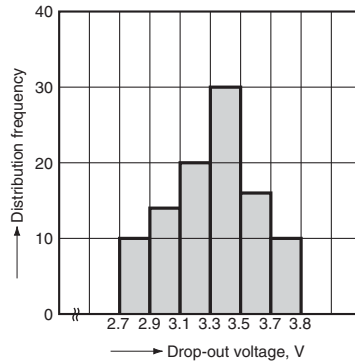
3. Operate/release time  
 Sample: JTV1aS-PA-24V



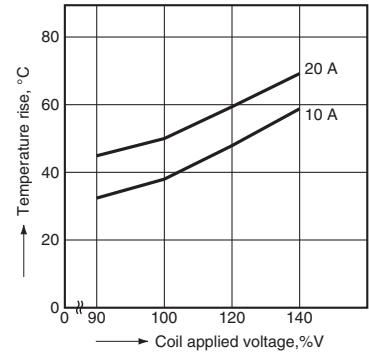
4. Distribution frequency of pick-up voltage (at 20°C 68°F)  
 Sample: JTV1S-TMP-12V (100 pcs.)



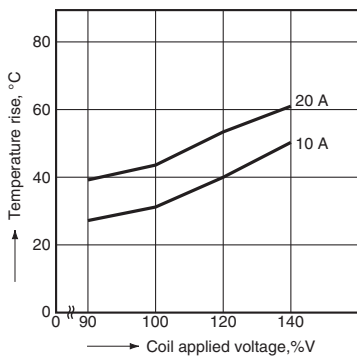
5. Distribution frequency of drop-out voltage (at 20°C 68°F)  
 Sample: JTV1S-TMP-12V (100 pcs.)



6.-(1) Coil temperature rise (TMP type)\*  
 Ambient temperature: 25°C 77°F  
 Sample: JTV1aS-TMP-12V (6 pcs.)



6.-(2) Coil temperature rise (TMP type)\*  
 Ambient temperature: 85°C 185°F  
 Sample: JTV1aS-TMP-12V (6 pcs.)

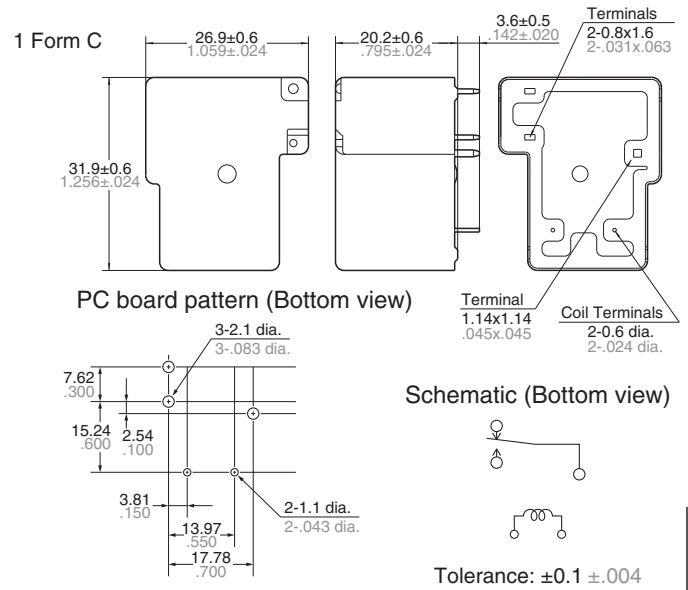
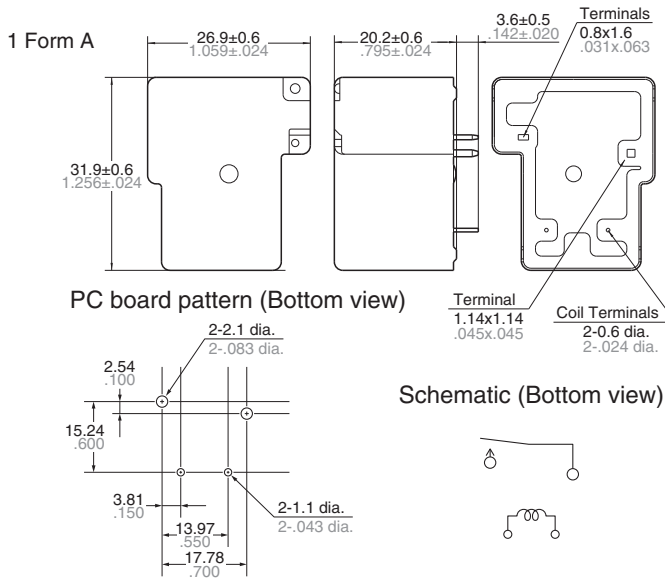


**DIMENSIONS** (mm inch)

Download **CAD Data** from our Web site.

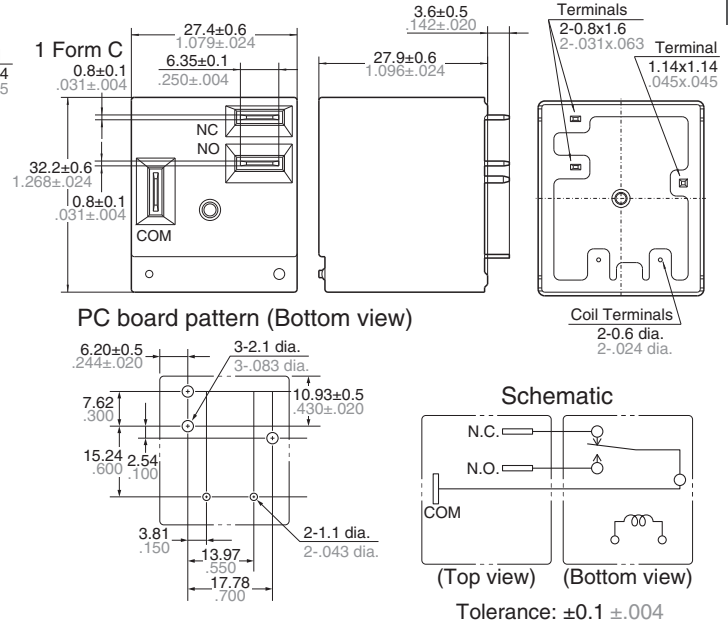
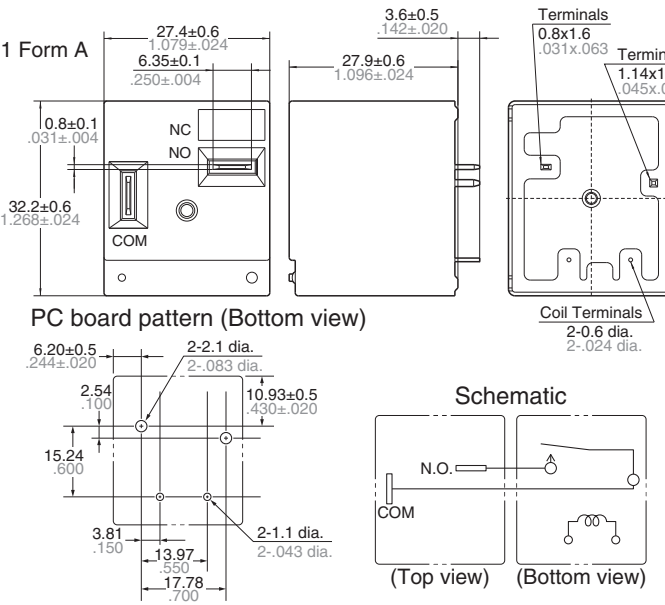
**1. PCB type**

**CAD Data**



**2. TMP type**

**CAD Data**



**SAFETY STANDARDS**

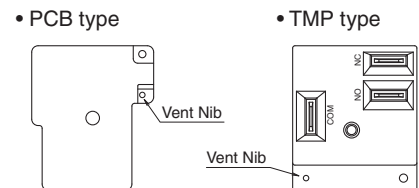
| Item     | UL/C-UL (Recognized) |   |
|----------|----------------------|---|
|          | File No.             | Contact rating                                |
| 1 Form A | E43028               | 30A 277V AC, 30A 28V DC, 2HP 250V AC          |
| 1 Form C | N.O.                 | E43028 20A 277V AC, 20A 28V DC, 2HP 250V AC   |
|          | N.C.                 | E43028 10A 277V AC, 10A 28V DC, 1/2HP 250V AC |

\* CSA standard: Certified by C-UL

**NOTES**

**1. Electrical life**

In order to obtain the full rated life cycles, the relay should be properly vented by removing the vent nib after the soldering/washing process.



**For Cautions for Use, see Relay Technical Information (page 610).**