



Chipsmall Limited consists of a professional team with an average of over 10 year of expertise in the distribution of electronic components. Based in Hongkong, we have already established firm and mutual-benefit business relationships with customers from,Europe,America and south Asia,supplying obsolete and hard-to-find components to meet their specific needs.

With the principle of "Quality Parts,Customers Priority,Honest Operation,and Considerate Service",our business mainly focus on the distribution of electronic components. Line cards we deal with include Microchip,ALPS,ROHM,Xilinx,Pulse,ON,Everlight and Freescale. Main products comprise IC,Modules,Potentiometer,IC Socket,Relay,Connector.Our parts cover such applications as commercial,industrial, and automotives areas.

We are looking forward to setting up business relationship with you and hope to provide you with the best service and solution. Let us make a better world for our industry!



Contact us

Tel: +86-755-8981 8866 Fax: +86-755-8427 6832

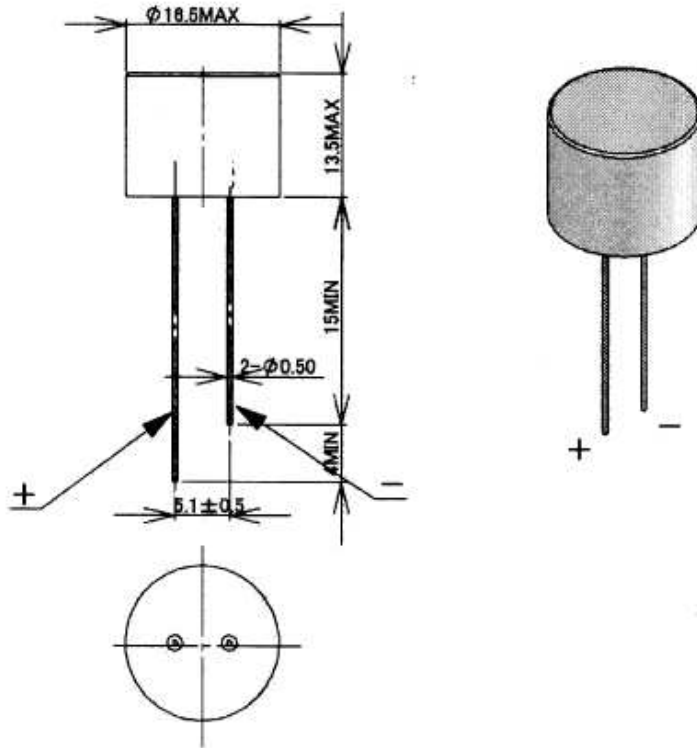
Email & Skype: info@chipsmall.com Web: www.chipsmall.com

Address: A1208, Overseas Decoration Building, #122 Zhenhua RD., Futian, Shenzhen, China



寸法
DIMENSIONS

仕様書 No. **参考図面**
SPEC Reference



表示
MARKING



表示色
MARKING COLOR

ケース色 : 黒
CASE COLOR : BLACK

表示色 : 白
MARKING COLOR : WHITE

EIA日付構成
EIA DATE CODE

表示例
EXAMPLE

1 3 1 0

西暦下2桁 第10週
2013年 10TH WEEK

電気特性 ELECTRICAL CHARACTERISTICS

定格電圧 RATED VOLTAGE (V.D.C)	サージ電圧 SURGE VOLTAGE (V.D.C)	定格静電容量 RATED CAPACITANCE (F)	容量許容差 CAPACITANCE TOLERANCE (%)	等価直列抵抗 ESR (mΩ MAX)	漏れ電流 LEAKAGE CURRENT (mA MAX)
5.5	5.5	0.18	-0 ~ +40	2000	0.09
DC-Cap 20°C				at 1 kHz 20°C	after 30 min.

関連規格 TEST STANDARD JIS C 5160-1

カテゴリ温度範囲 CATEGORY TEMP. RANGE -30°C ~ +85°C

確認 APPROVED	品番 NICHICON TYPE No.	
照査 CHECKED	JUM0H184ACD	
担当 DESIGNED	定格 RATE 0.18 F 5.5 V	
第三角法 3RD ANGLE PROJECTION	尺度 SCALE / mm	日付 DATE 2013/1/7
記号 MARK	年月日 DATE	記事 DESCRIPTIONS
訂正 REVISION		担当 DESIGNED
ニチコン株式会社 NICHICON CORPORATION		ケースサイズ CASE SIZE φ 16.5 x 13.5 L
		図番 DWG. No. - -