



Chipsmall Limited consists of a professional team with an average of over 10 year of expertise in the distribution of electronic components. Based in Hongkong, we have already established firm and mutual-benefit business relationships with customers from,Europe,America and south Asia,supplying obsolete and hard-to-find components to meet their specific needs.

With the principle of "Quality Parts,Customers Priority,Honest Operation,and Considerate Service",our business mainly focus on the distribution of electronic components. Line cards we deal with include Microchip,ALPS,ROHM,Xilinx,Pulse,ON,Everlight and Freescale. Main products comprise IC,Modules,Potentiometer,IC Socket,Relay,Connector.Our parts cover such applications as commercial,industrial, and automotives areas.

We are looking forward to setting up business relationship with you and hope to provide you with the best service and solution. Let us make a better world for our industry!



## Contact us

Tel: +86-755-8981 8866 Fax: +86-755-8427 6832

Email & Skype: info@chipsmall.com Web: www.chipsmall.com

Address: A1208, Overseas Decoration Building, #122 Zhenhua RD., Futian, Shenzhen, China



## 15 Watts

- Renewable Energy, Industrial Applications and EV Applications
- Ultrawide Input Range - 200-1500 VDC
- Fully Encapsulated PCB Mount & DIN Rail Versions
- Optional DIN Rail Versions with Built In EMI Filter & 1500 VDC Fuse
- -40 °C to +70 °C Operating Temperature
- 3 Year Warranty

The JVA series offers high isolation DC-DC converters with an ultra wide DC input range. Configuration options provide convenient installation choices.



### Dimensions:

**JVA15:** 4.92 x 2.95 x 1.57" (124.9 x 74.9 x 40.0 mm)  
**JVA15-D:** 5.08 x 4.02 x 1.92" (129.0 x 102.0 x 49.0 mm)  
**JVA15-DF:** 5.75 x 5.43 x 2.17" (146.05 x 137.9 x 55.0 mm)

## Models & Ratings

Output Power	Input Voltage	Output Voltage	Overvoltage Protection (typical)	Output Current	Input Current <sup>(1)</sup>	Typical Efficiency <sup>(4)</sup>	Maximum Capacitive Load	Model Number <sup>(2,3)</sup>
10 W	200-1500 V	5.0 V	8.0 V	2000 mA	120 mA	64%	6000 µF	JVA151500S05
15 W		12.0 V	20.0 V	1250 mA		71%	2000 µF	JVA151500S12
		15.0 V	20.0 V	1000 mA		72%	1200 µF	JVA151500S15
		24.0 V	30.0 V	625 mA		74%	470 µF	JVA151500S24

## Notes

1. At 200 VDC input

2. For DIN rail mount option, add suffix '-D' e.g. JVA151500S12-D

3. For DIN rail with added EMI filter option, add suffix '-DF' e.g. JVA151500S24-DF

4. At 800 VDC Input

## Input

Characteristic	Minimum	Typical	Maximum	Units	Notes & Conditions
Input Voltage Range	200		1500	VDC	See derating curve
Input Current		120/30/16		mA	200 VDC/800 VDC/1500 VDC input
Inrush Current		50/150		A	200 VDC/1500 VDC input
Input Filter	Pi type				
Undervoltage Lockout	On 180-195 V, Off 170-185 V				
Input Protection	External 15 A/1500 VDC required				This is already included in the optional -DF version

## Output

Characteristic	Minimum	Typical	Maximum	Units	Notes & Conditions
Output Voltage	5		24	V	See Models and Ratings table
Initial Set Accuracy		±2		%	
Minimum Load	0			A	No minimum load required
Start Up Delay		2		s	
Line Regulation		±1		%	
Load Regulation		±1		%	0 - 100% load
Ripple & Noise		150	300	mV pk-pk	20 MHz bandwidth
Short Circuit Protection					Trip & Restart (hiccup mode), auto recovery
Overload Protection	120		320	%	Trip & Restart (hiccup mode)
Overvoltage Protection					See Models and Ratings table
Temperature Coefficient		0.02		%/°C	

### General

Characteristic	Minimum	Typical	Maximum	Units	Notes & Conditions
Efficiency		72		%	See Models and Ratings table
Isolation	4000			VAC	For 60 s
Switching Frequency		65		kHz	
Operating Altitude			5000	m	Derate from 100% load at 2000 m to 80% load at 5000 m
Mean Time Between Failure	300			kHrs	MIL-HDBK-217F, +25 °C GB
Weight		0.9 (400)		lb (g)	JVA15
		1.01 (460)			JVA15-D
		1.56 (710)			JVA15-DF

### Environmental

Characteristic	Minimum	Typical	Maximum	Units	Notes & Conditions
Operating Temperature	-40		+70	°C	See derating curve
Storage Temperature	-40		+85	°C	
Case Temperature			95	°C	
Humidity	5		95	%RH	Non-condensing
Cooling					Natural convection
Shock	±3 shocks in each plane, total 18 shocks of 30 g : 11 ms halfsine. Conforms to EN60068-2-27 & EN60068-2-47				
Vibration	10-500 Hz at 2 g sweep and endurance at resonance in all 3 planes. Conforms to EN60068-2-6				

### EMC: Emissions

Phenomenon	Standard	Test Level	Notes & Conditions
Conducted	EN55032	Level A	See application notes. Not required for '-DF' versions
Radiated	EN55032	Level A	

### EMC: Immunity

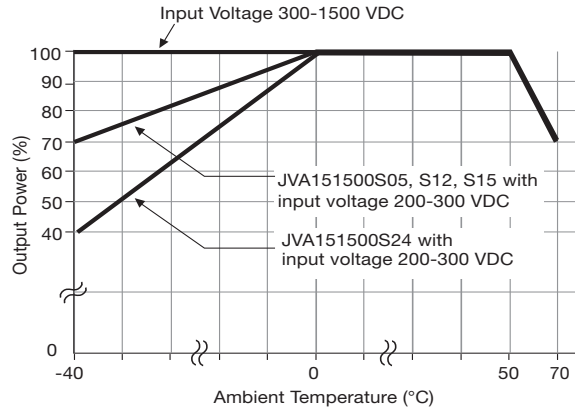
Phenomenon	Standard	Test Level	Criteria	Notes & Conditions
Immunity	EN55024			
ESD Immunity	EN61000-4-2	±6 kV Contact, ±8 kV Air	A	
Radiated Immunity	EN61000-4-3	10 V/m	A	
EFT/Burst	EN61000-4-4	3	A	
Surges	EN61000-4-5	3	A	
Conducted Immunity	EN61000-4-6	10 Vrms	A	
Magnetic Fields	EN61000-4-8	10 A/m	A	

### Safety Approvals

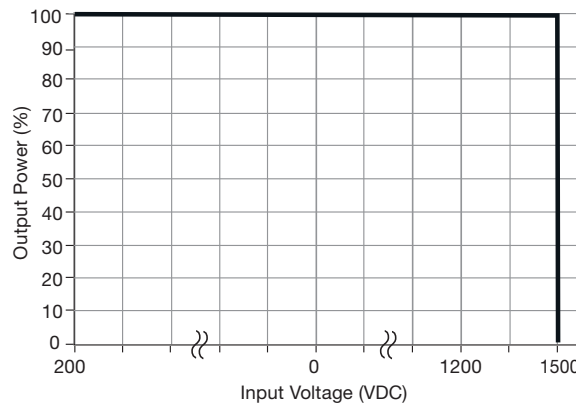
Safety Agency	Safety Standard	Notes & Conditions
EN	EN62109	Photovoltaic Power System
UL	UL1741/CSA-C22.2 No.107-1	Distributed Energy Resources

### Application Notes

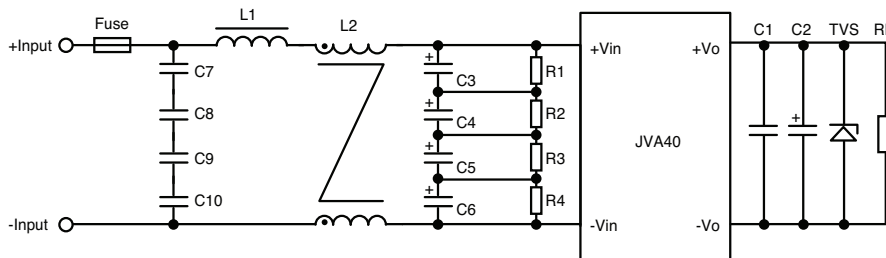
#### Thermal Derating Curve



#### Input Derating Curve



#### EMI Filter for Conducted Emissions

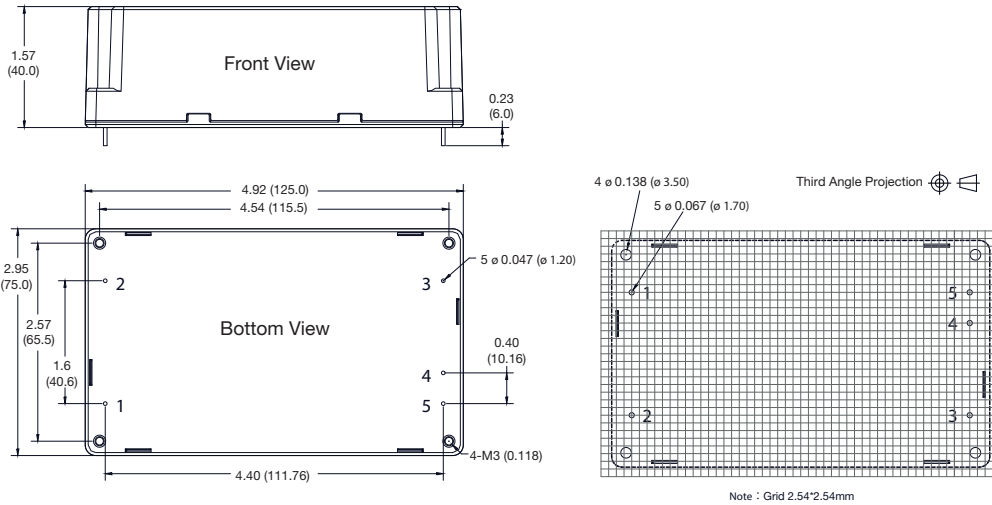


Model	C1 (μF)	C2 (μF)	TVS
JVA151500S05	1	120	SMBJ7.0A
JVA151500S12		120	SMBJ20A
JVA151500S15		120	SMBJ20A
JVA151500S24		68	SMBJ30A

Element Model	Recommended Value
C7/C8/C9/C10	104K/275 VAC
C3/C4/C5/C6	47 μF/450 VDC
R1/R2/R3/R4	1 MΩ/2 W
L1	330 μH/1 A
L2	7 mH/1 A
Fuse	15 A/1500 VDC

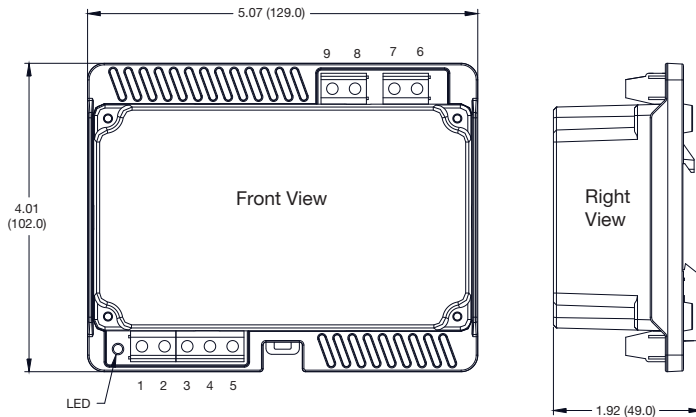
### Mechanical Details

#### Standard PCB mount



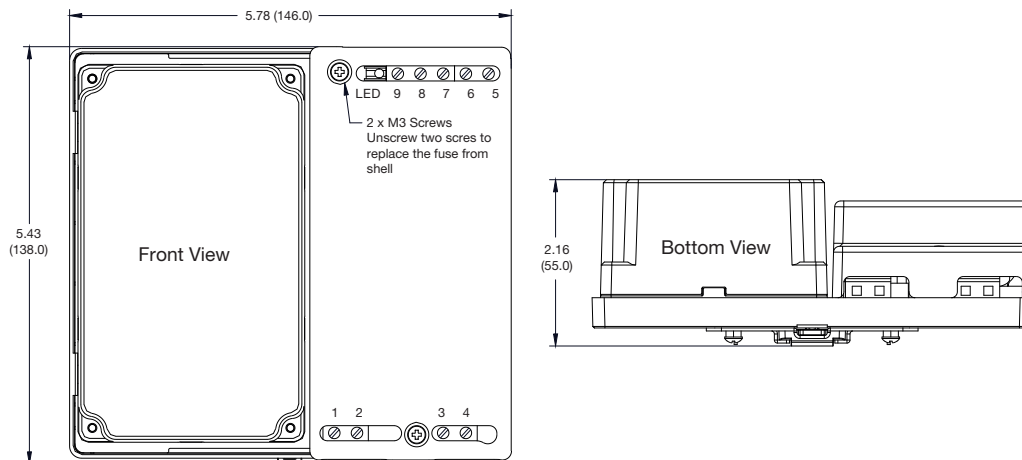
Pin Connections	
Pin	Function
1	-Vin
2	+Vin
3	No Connection
4	-Vo
5	+Vo

#### Optional DIN rail mount, -D



Pin Connections	
Pin	Function
1	+Vo
2	-Vo
3	No Connection
4	No Connection
5	No Connection
6	+Vin
7	+Vin
8	-Vin
9	-Vin

#### Optional DIN rail mount with filter, -DF



Pin Connections	
Pin	Function
1	-Vin
2	-Vin
3	+Vin
4	+Vin
5	+Vo
6	-Vo
7	No Connection
8	No Connection
9	No Connection

#### Notes

1. All dimensions are in inches (mm)

2. Weight: Standard PCB mount: 0.66 lbs (300 g) approx  
 Optional DIN rail mount, -D: 0.79 lbs (360 g) approx  
 Optional DIN rail mount with filter, -DF: 1.34 lbs (610 g) approx