



Chipsmall Limited consists of a professional team with an average of over 10 year of expertise in the distribution of electronic components. Based in Hongkong, we have already established firm and mutual-benefit business relationships with customers from,Europe,America and south Asia,supplying obsolete and hard-to-find components to meet their specific needs.

With the principle of “Quality Parts,Customers Priority,Honest Operation,and Considerate Service”,our business mainly focus on the distribution of electronic components. Line cards we deal with include Microchip,ALPS,ROHM,Xilinx,Pulse,ON,Everlight and Freescale. Main products comprise IC,Modules,Potentiometer,IC Socket,Relay,Connector.Our parts cover such applications as commercial,industrial, and automotives areas.

We are looking forward to setting up business relationship with you and hope to provide you with the best service and solution. Let us make a better world for our industry!



Contact us

Tel: +86-755-8981 8866 Fax: +86-755-8427 6832

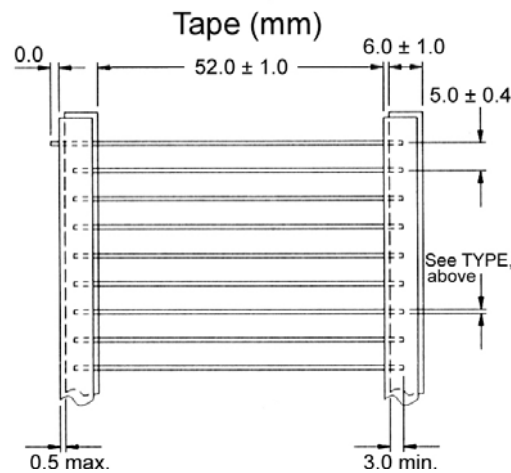
Email & Skype: info@chipsmall.com Web: www.chipsmall.com

Address: A1208, Overseas Decoration Building, #122 Zhenhua RD., Futian, Shenzhen, China



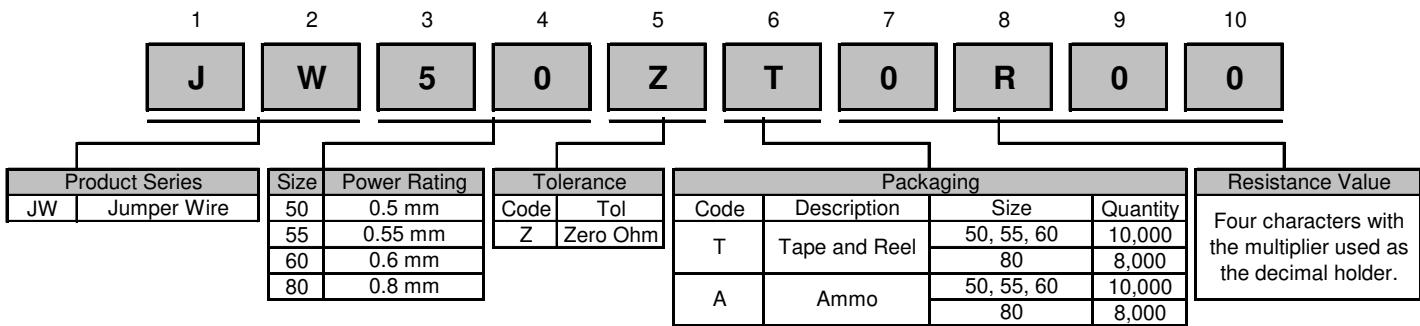
- Features:
- Ideal for crossovers or jumpers on circuit boards
 - High current ratings
 - Standard JW is copper plated steel, with 100% tin overplate
 - 100% tin plate on copper wire is available as type JWQ
 - RoHS compliant / lead free

Electrical & Mechanical Specification				
Type	Gauge References	Maximum Current	Diameter	Unit
JW50 R	24	3 Amp	0.02 ± 0.001 0.5 ± 0.02	inches mm
JW55 R	23	3 Amp	0.022 ± 0.001 0.55 ± 0.03	inches mm
JW60 R	22	3 Amp	0.024 ± 0.001 0.6 ± 0.03	inches mm
JW80 R	20	4 Amp	0.031 ± 0.001 0.8 ± 0.05	inches mm



Performance Characteristics	
Coating Thickness	5u ± 2u
Bending	7.1 0.4mm - below 0.6mm - 250g 7.2 0.6mm - below 1 - 500g
Heat Reliability	8.1 Sn 100%: Heat 195°C ± 5°C / 1 hour
Humidity	40°C / 90 - 95RH / 72 hours
Solderability	235°C ± 5°C / 3 seconds

How to Order



Legacy Part Number (before January 3, 2011):

SEI Type		Code		Nominal Resistance	Packaging			
JW		50		0	R			
Type	Description	Code	Diameter		Types	Qty	Description	Code
JW	Jumper Wire	50	0.5 mm		50, 55, 60	10,000	Reel	R
		55	0.55 mm		80	8,000		
		60	0.6 mm		50, 55, 60	10,000	Ammo	T
		80	0.8 mm		80	8,000		