



Chipsmall Limited consists of a professional team with an average of over 10 year of expertise in the distribution of electronic components. Based in Hongkong, we have already established firm and mutual-benefit business relationships with customers from,Europe,America and south Asia,supplying obsolete and hard-to-find components to meet their specific needs.

With the principle of “Quality Parts,Customers Priority,Honest Operation,and Considerate Service”,our business mainly focus on the distribution of electronic components. Line cards we deal with include Microchip,ALPS,ROHM,Xilinx,Pulse,ON,Everlight and Freescale. Main products comprise IC,Modules,Potentiometer,IC Socket,Relay,Connector.Our parts cover such applications as commercial,industrial, and automotives areas.

We are looking forward to setting up business relationship with you and hope to provide you with the best service and solution. Let us make a better world for our industry!



## Contact us

Tel: +86-755-8981 8866 Fax: +86-755-8427 6832

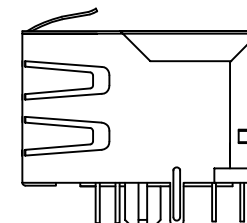
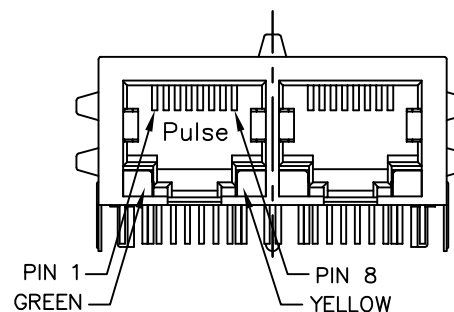
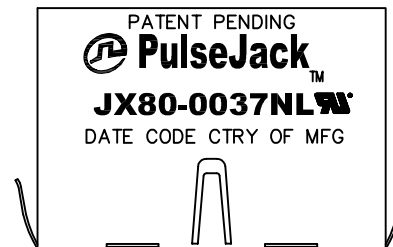
Email & Skype: info@chipsmall.com Web: www.chipsmall.com

Address: A1208, Overseas Decoration Building, #122 Zhenhua RD., Futian, Shenzhen, China



NOTES:

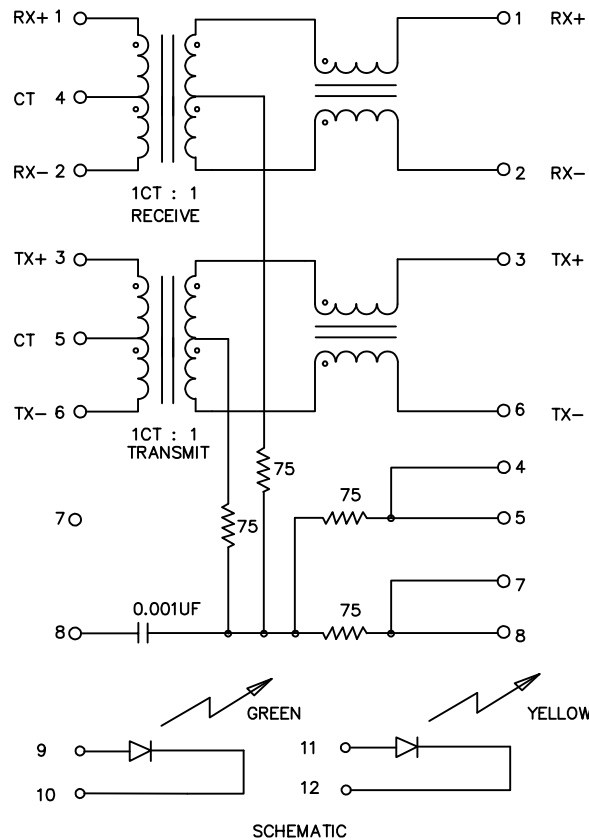
1. ROHS COMPLIANT
2. PLASTIC HOUSING: THERMOPLASTIC MATERIAL WITH FLAMMABILITY RATING UL 94V-0 OR BETTER.
3. CONTACTS PLATING: 30 μINCHES GOLD PLATING.
4. CONTACTS BASE MATERIAL: PHOSPHOR BRONZE
5. UNDER PLATING: 50-100 μINCHES NICKEL
6. SOLDER TAIL PLATING : 100-300 μINCHES 100% TIN, MATTE FINISH.
7. METAL SHIELD: NICKEL PLATING ON COPPER ALLOY.
8. JACK CAVITY CONFORMS TO FCC PART 68 SUBPART.
9. PCB PLATING: HASL
10. STORAGE TEMPERATURE: -50°C TO +125°C
11. COMPLIANCE TO J-STD:
  - A. J-STD-002: SOLDERABILITY AT 245°C DIP AND LOOK TEST
  - B. J-STD-020: LEVEL 1, NO MOISTURE SENSITIVE
  - C. J-STD-075: W2, 270°C MAXIMUM THROUGH WAVE SOLDER



FINAL OUTLINE

© Copyright, 2015. Pulse Electronics Corp. All rights reserved. Pulse confidential & proprietary. (02/10/2015)

PRODUCT DESCRIPTION	TLA DRAWING	PS DRAWING	SHEET	PART NO.	DATASHEET REV.
CONN,RJ45,1X2,100D,1:1,TY	JX80-0037NL-11	PS-2063.001-G	1 OF 4	JX80-0037NL	A



ELECTRICAL CHARACTERISTICS AT +25°C UNLESS OTHERWISE SPECIFIED  
(FOR REFERENCE ONLY. USED FOR CUSTOMER INFORMATION.)

PARAMETER	SPECIFICATION		
OPERATING TEMP	-40°C TO +85°C		
TURNS RATIO	1.00 ± 2%		
POLARITY	PER SCHEMATIC		
INSERTION LOSS	100 KHz	1-125 MHz	
	-1.2 dB MAX	-0.2-0.002*f <sup>1.4</sup> dB MAXIMUM	
RETURN LOSS (Z OUT = 100 OHM ±15%)	.1-30 MHz	30-60 MHz	60-80 MHz
	-16 dB MIN	-10+20*LOG <sub>10</sub> (f/60 MHz) dB MIN	-10 dB MIN
	(MEASURED AT 100 KHz, 100 mVRMS AND WITH 8 mA DC BIAS)		
INDUCTANCE (OCL) (MEDIA SIDE, -40°C TO +85°C)	350 uH MIN	1-100 MHz	
CROSSTALK, ADJACENT CHANNELS	1 MHz	-50+17*LOG <sub>10</sub> (f/10) dB MINIMUM	
	-50 dB MIN	30-200 MHz	
COMMON MODE REJECTION RATIO	2 MHz	-15+20*LOG <sub>10</sub> (f/200) dB MINIMUM	
	-50 dB MIN	.60 OHMS MAXIMUM	
DC RESISTANCE 1/2 WINDING	±.065 OHMS MAXIMUM (CENTER TAP SYMMETRY)		
DC RESISTANCE IMBALANCE	2250 VDC MINIMUM AT 60 SECONDS		
INPUT - OUTPUT ISOLATION			

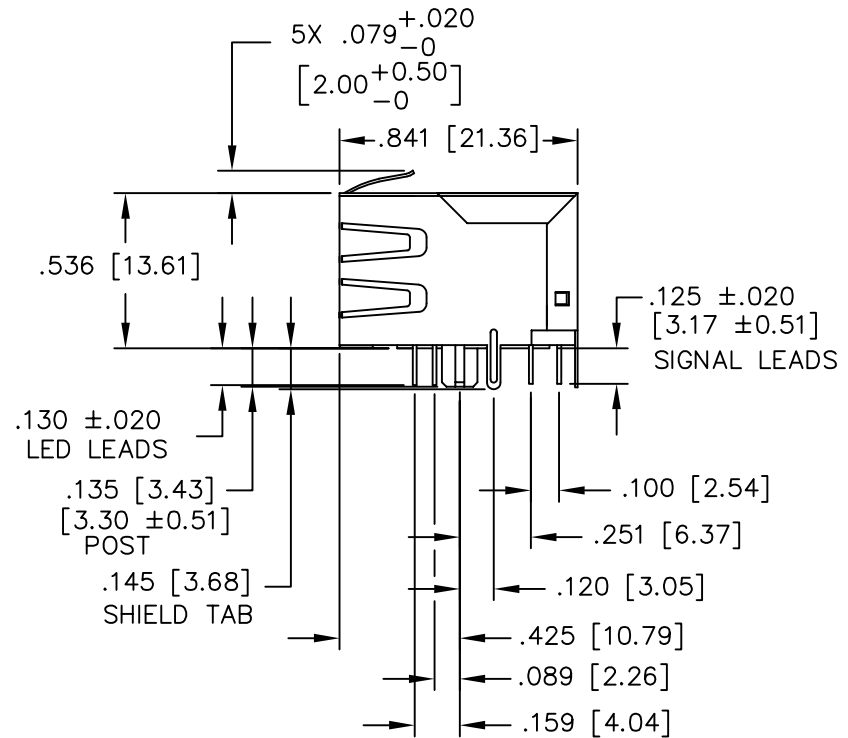
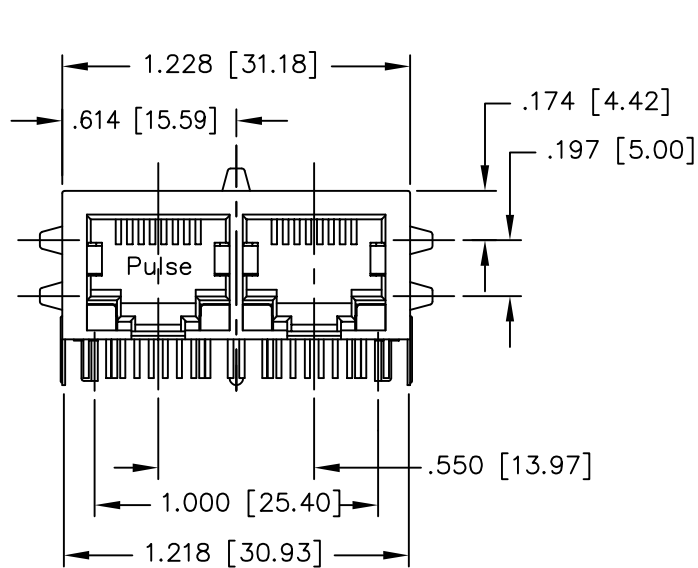
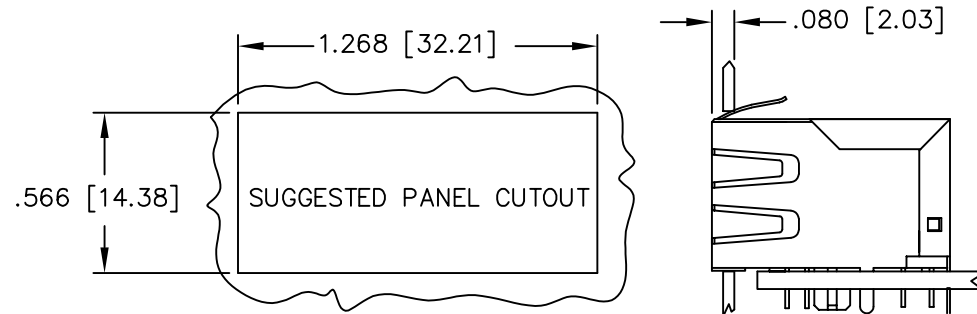
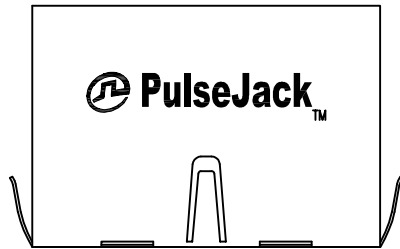
NOTE: f IS FREQUENCY IN MHZ.

EMMITTED COLOR	GREEN	YELLOW
WAVELENGTH (nm)	570 nm	590 nm
BRIGHTNESS (mCD)	13 TYP. @ 20mA	12 TYP. @ 20mA
VIEWING ANGLE	100°	100°
POWER DISSIPATION (Pd)	85 mW MAX	85 mW MAX
DC FORWARD CURRENT	200 mA MAX	200 mA MAX
REVERSE VOLTAGE (Vr)	5.0 V MAX	5.0 V MAX
FORWARD VOLTAGE (Vf)	2.8 V MAX	2.8 V MAX

NOTE: PER VENDOR'S SPECIFICATIONS

© Copyright, 2015. Pulse Electronics Corp. All rights reserved. Pulse confidential & proprietary. (02/10/2015)

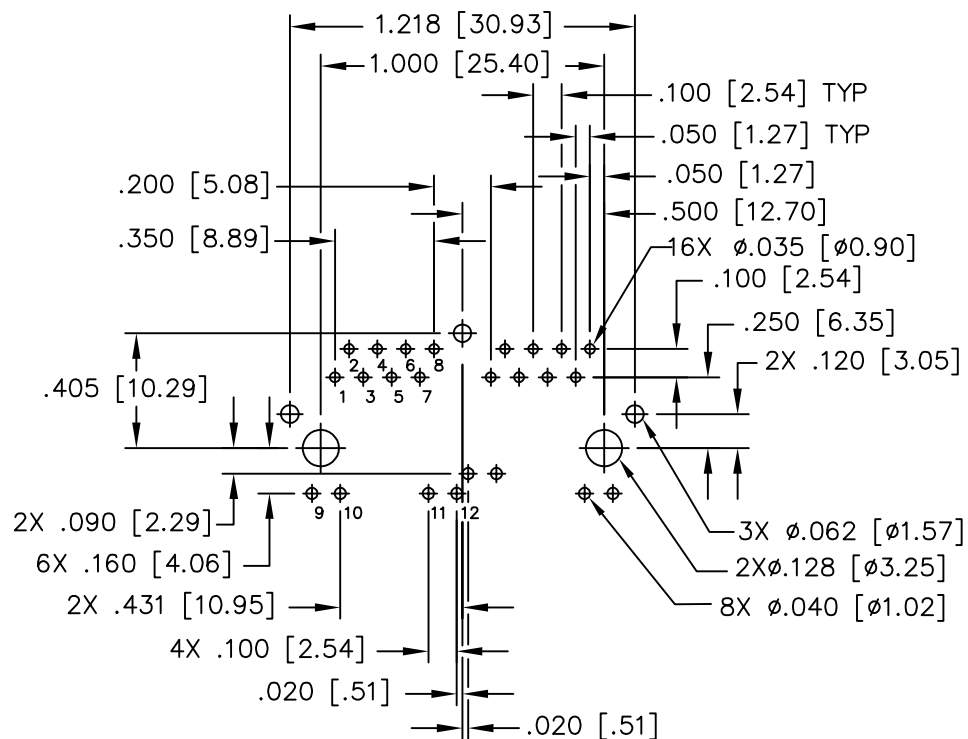
PRODUCT DESCRIPTION	TLA DRAWING	PS DRAWING	SHEET	PART NO.	DATASHEET REV.
CONN,RJ45,1X2,100D,1:1,TY	JX80-0037NL-11	PS-2063.001-G	2 OF 4	JX80-0037NL	A



DIMENSIONS ARE IN INCHES [MILLIMETERS] WITH THE FOLLOWING TOLERANCES: [MILLIMETERS] ARE FOR REFERENCE ONLY.  
.XXX = ±.010 [±0.25]

© Copyright, 2015. Pulse Electronics Corp. All rights reserved. Pulse confidential & proprietary. (02/10/2015)

PRODUCT DESCRIPTION	TLA DRAWING	PS DRAWING	SHEET	PART NO.	DATASHEET REV.
CONN,RJ45,1X2,100D,1:1,TY	JX80-0037NL-11	PS-2063.001-G	3 OF 4	JX80-0037NL	A



SUGGESTED PRINTED CIRCUIT BOARD LAYOUT  
VIEWED FROM COMPONENT SIDE  
UNLESS OTHERWISE SPECIFIED PCB DIMENSION ARE  $\pm 0.003$

© Copyright, 2015. Pulse Electronics Corp. All rights reserved. Pulse confidential & proprietary. (02/10/2015)

PRODUCT DESCRIPTION	TLA DRAWING	PS DRAWING	SHEET	PART NO.	DATASHEET REV.
CONN,RJ45,1X2,100D,1:1,TY	JX80-0037NL-11	PS-2063.001-G	4 OF 4	JX80-0037NL	A