



Chipsmall Limited consists of a professional team with an average of over 10 year of expertise in the distribution of electronic components. Based in Hongkong, we have already established firm and mutual-benefit business relationships with customers from,Europe,America and south Asia,supplying obsolete and hard-to-find components to meet their specific needs.

With the principle of “Quality Parts,Customers Priority,Honest Operation,and Considerate Service”,our business mainly focus on the distribution of electronic components. Line cards we deal with include Microchip,ALPS,ROHM,Xilinx,Pulse,ON,Everlight and Freescale. Main products comprise IC,Modules,Potentiometer,IC Socket,Relay,Connector.Our parts cover such applications as commercial,industrial, and automotives areas.

We are looking forward to setting up business relationship with you and hope to provide you with the best service and solution. Let us make a better world for our industry!



## Contact us

Tel: +86-755-8981 8866 Fax: +86-755-8427 6832

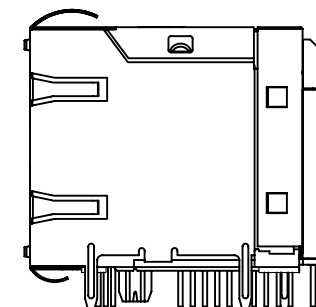
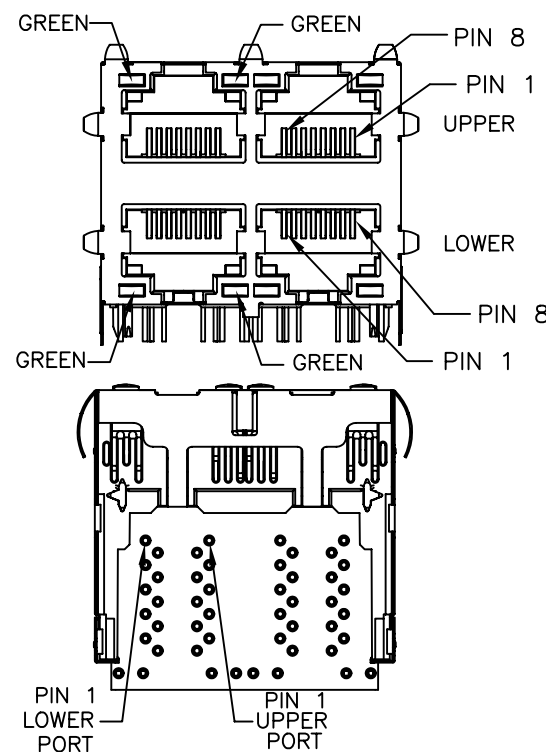
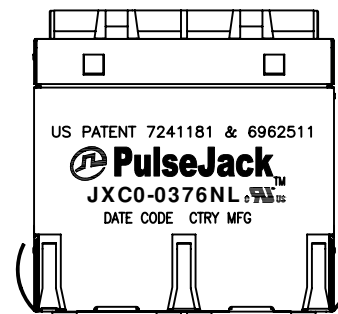
Email & Skype: info@chipsmall.com Web: www.chipsmall.com

Address: A1208, Overseas Decoration Building, #122 Zhenhua RD., Futian, Shenzhen, China



NOTES:

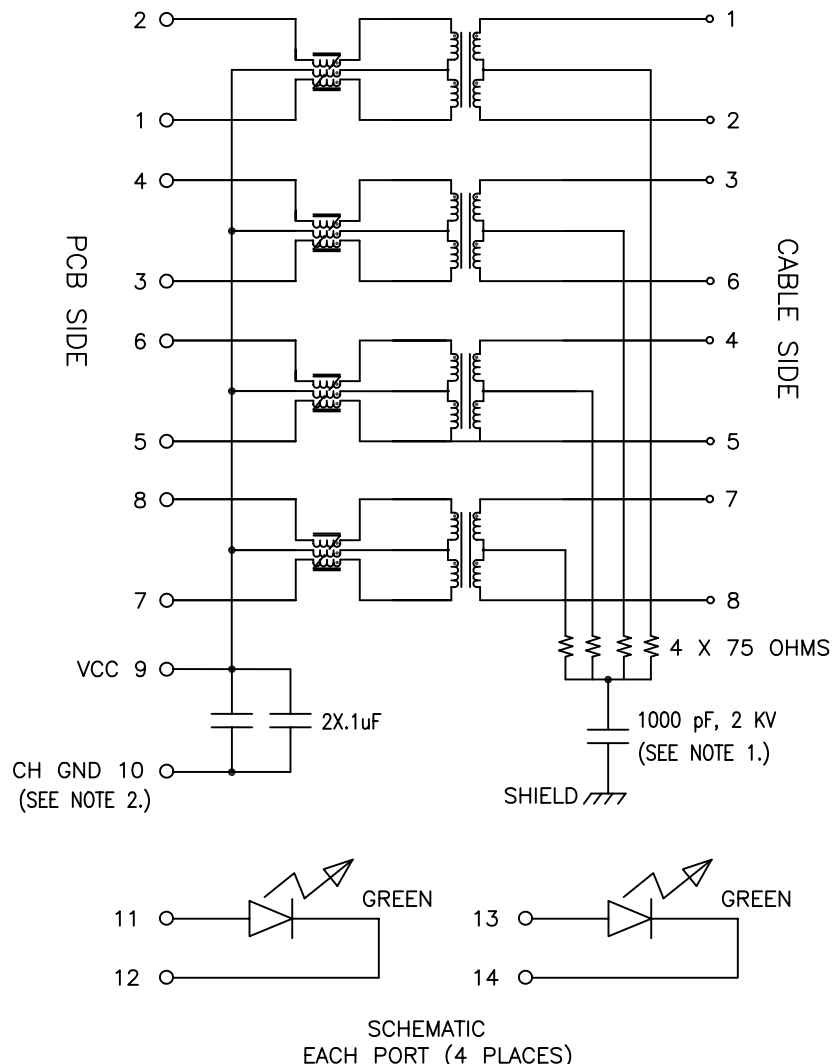
1. ROHS COMPLIANT
2. PLASTIC HOUSING: THERMOPLASTIC MATERIAL WITH FLAMMABILITY RATING UL 94V-0 OR BETTER.
3. CONTACTS PLATING: 30 μINCHES GOLD PLATING.
4. CONTACTS BASE MATERIAL: PHOSPHOR BRONZE
5. UNDER PLATING: 30-50 μINCHES NICKEL
6. SOLDER TAIL PLATING : 200-500 μINCHES 100% TIN, MATTE FINISH.
7. METAL SHIELD: NICKEL PLATING ON COPPER ALLOY.
8. JACK CAVITY CONFORMS TO FCC PART 68 SUBPART.
9. PCB PLATING: HASL (TOP PCB), ENIG (BOTTOM PCB)
10. STORAGE TEMPERATURE: -50°C TO +125°C
11. COMPLIANCE TO J-STD:
  - A. J-STD-002: SOLDERABILITY AT 245°C DIP AND LOOK TEST
  - B. J-STD-020: LEVEL 1, NO MOISTURE SENSITIVE
  - C. J-STD-075: W2, 270°C MAXIMUM THROUGH WAVE SOLDER



FINAL OUTLINE

© Copyright, 2014. Pulse Electronics Corp. All rights reserved. Pulse confidential & proprietary. (05/13/14)

| PRODUCT DESCRIPTION      | TLA DRAWING    | PS DRAWING    | SHEET  | PART NO.    | DATASHEET REV. |
|--------------------------|----------------|---------------|--------|-------------|----------------|
| CONN,RJ45,2X2,1GD,1:1,TY | JXC0-0376NL-12 | PS-2416.121-A | 1 OF 4 | JXC0-0376NL | A              |



NOTE 1: HIGH-VOLTAGE CAPACITOR IS COMMON FOR UPPER AND LOWER PORTS.  
NOTE 2: PIN 10 OF UPPER AND LOWER PORTS ARE SHORTED TOGETHER.

ELECTRICAL CHARACTERISTICS AT +25°C UNLESS OTHER SPECIFIED  
MEETS IEEE 802.3 SPECIFICATION

| PARAMETER                                    | SPECIFICATIONS   |  |
|--|--|--|
| OPERATING TEMP                               | -40°C - 85°C   |  |
| TURNS RATIO                                  | 1.00 ± 2%  |  |
| POLARITY                                     | PER SCHEMATIC  |  |
| INSERTION LOSS                               | 100 KHz  | 1-125 MHz                                  |
|  | -1.2 dB MAX  | -0.2-0.002*f <sup>1.4</sup> dB MAX         |
| RETURN LOSS<br>(Z OUT = 100 OHM ±15%)        | .1-40 MHz  | 40-100 MHz                                 |
|  | -18 dB MIN   | -12+20*LOG <sub>10</sub> (f/80 MHz) dB MIN |
| INDUCTANCE (OCL)<br>(MEDIA SIDE, -40°C-85°C) | 350 uH MIN (MEASURED AT 100 KHz, 100 mVRMS)<br>(AND WITH 8 mA DC BIAS) |  |
| CROSSTALK, ADJACENT CHANNELS                 | 1 MHz  | 10-100 MHz                                 |
|  | -50 dB MIN   | -55+22*LOG <sub>10</sub> (f/10) dB MIN     |
| COMMON MODE REJECTION RATIO                  | 2 MHz  | 30-200 MHz                                 |
|  | -50 dB MIN   | -15+20*LOG <sub>10</sub> (f/200) dB MIN    |
| INPUT - OUTPUT ISOLATION                     | 2250 VDC MIN @ 60 SECONDS  |  |

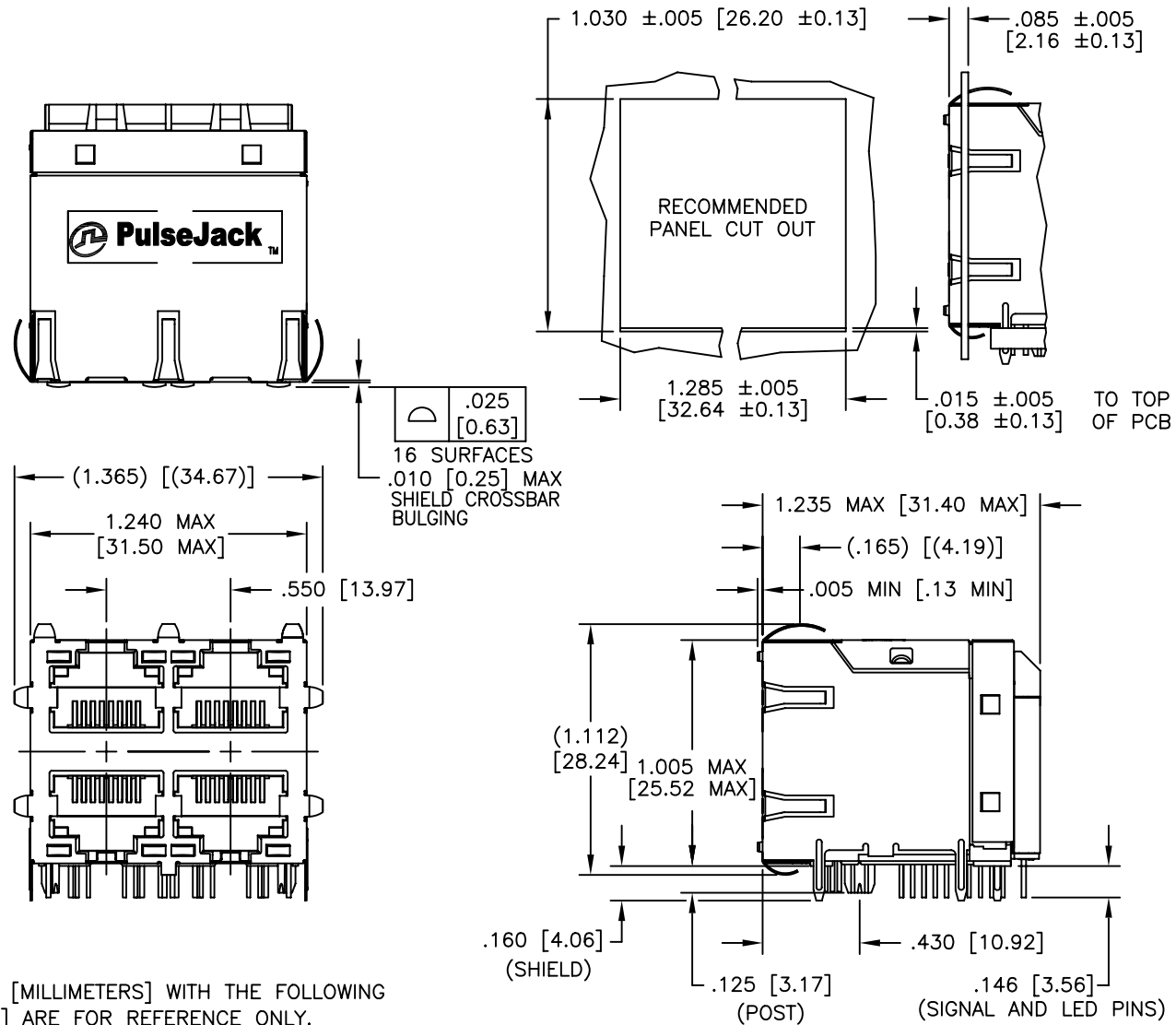
NOTE: f IS FREQUENCY IN MHz.

|                        |                                |
|------------------------|--------------------------------|
| EMMITTED COLOR         | GREEN                          |
| WAVELENGTH (nm)        | 570 nm                         |
| BRIGHTNESS (mCD)       | 8 TYP.<br>AT 20 mA             |
| VIEWING ANGLE          | 100°                           |
| POWER DISSIPATION (Pd) | 80 mW MAX                      |
| FORWARD VOLTAGE (Vf)   | 2.8 V MAXIMUM<br>2.2 V TYPICAL |
| REVERSE VOLTAGE (Vr)   | 5.0 V MAX                      |

NOTE: PER VENDOR'S SPECIFICATIONS

© Copyright, 2014. Pulse Electronics Corp. All rights reserved. Pulse confidential & proprietary. (05/13/14)

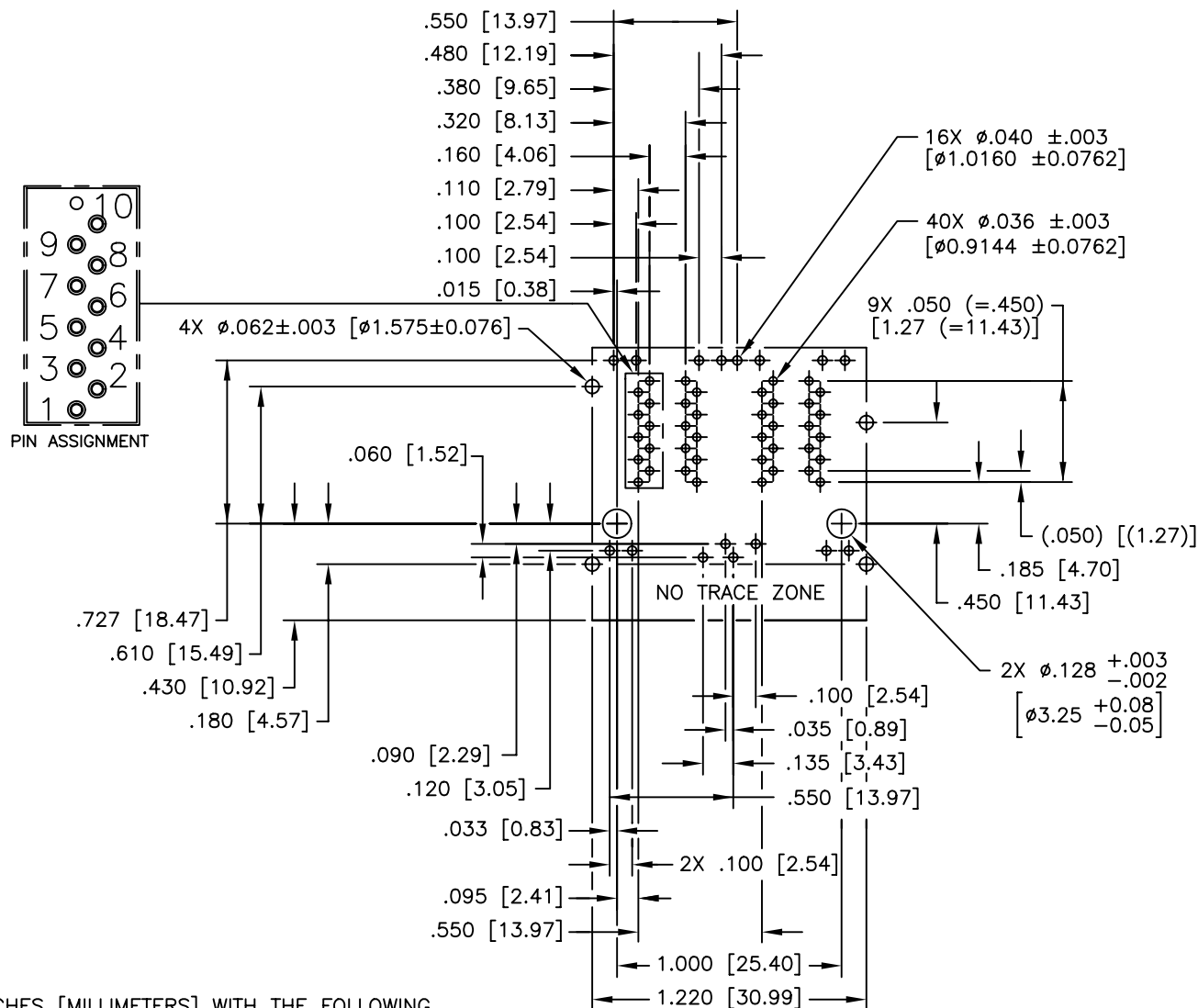
| PRODUCT DESCRIPTION      | TLA DRAWING    | PS DRAWING    | SHEET  | PART NO.    | DATASHEET REV. |
|--------------------------|----------------|---------------|--------|-------------|----------------|
| CONN,RJ45,2X2,1GD,1:1,TY | JXC0-0376NL-12 | PS-2416.121-A | 2 OF 4 | JXC0-0376NL | A              |



DIMENSIONS ARE IN INCHES [MILLIMETERS] WITH THE FOLLOWING TOLERANCES: [MILLIMETERS] ARE FOR REFERENCE ONLY.  
 .XX=  $\pm 0.02$  [ $\pm 0.5$ ]  
 .XXX=  $\pm 0.010$  [ $\pm 0.25$ ]

© Copyright, 2014. Pulse Electronics Corp. All rights reserved. Pulse confidential & proprietary. (05/13/14)

| PRODUCT DESCRIPTION      | TLA DRAWING    | PS DRAWING    | SHEET  | PART NO.    | DATASHEET REV. |
|--------------------------|----------------|---------------|--------|-------------|----------------|
| CONN,RJ45,2X2,1GD,1:1,TY | JXC0-0376NL-12 | PS-2416.121-A | 3 OF 4 | JXC0-0376NL | A              |



DIMENSIONS ARE IN INCHES [MILLIMETERS] WITH THE FOLLOWING TOLERANCES: [MILLIMETERS] ARE FOR REFERENCE ONLY.  
 .XX=  $\pm 0.02$  [ $\pm 0.5$ ]  
 .XXX=  $\pm 0.010$  [ $\pm 0.25$ ]

© Copyright, 2014. Pulse Electronics Corp. All rights reserved. Pulse confidential & proprietary. (05/13/14)

| PRODUCT DESCRIPTION      | TLA DRAWING    | PS DRAWING    | SHEET  | PART NO.    | DATASHEET REV. |
|--------------------------|----------------|---------------|--------|-------------|----------------|
| CONN,RJ45,2X2,1GD,1:1,TY | JXC0-0376NL-12 | PS-2416.121-A | 4 OF 4 | JXC0-0376NL | A              |