



Chipsmall Limited consists of a professional team with an average of over 10 year of expertise in the distribution of electronic components. Based in Hongkong, we have already established firm and mutual-benefit business relationships with customers from,Europe,America and south Asia,supplying obsolete and hard-to-find components to meet their specific needs.

With the principle of “Quality Parts,Customers Priority,Honest Operation,and Considerate Service”,our business mainly focus on the distribution of electronic components. Line cards we deal with include Microchip,ALPS,ROHM,Xilinx,Pulse,ON,Everlight and Freescale. Main products comprise IC,Modules,Potentiometer,IC Socket,Relay,Connector.Our parts cover such applications as commercial,industrial, and automotives areas.

We are looking forward to setting up business relationship with you and hope to provide you with the best service and solution. Let us make a better world for our industry!



## Contact us

Tel: +86-755-8981 8866 Fax: +86-755-8427 6832

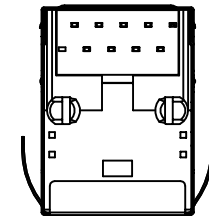
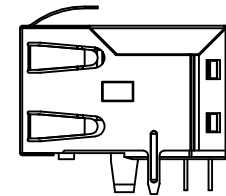
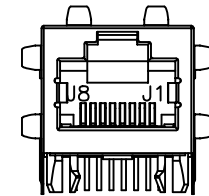
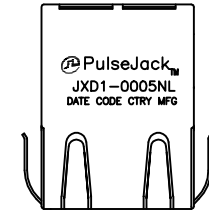
Email & Skype: info@chipsmall.com Web: www.chipsmall.com

Address: A1208, Overseas Decoration Building, #122 Zhenhua RD., Futian, Shenzhen, China



NOTES:

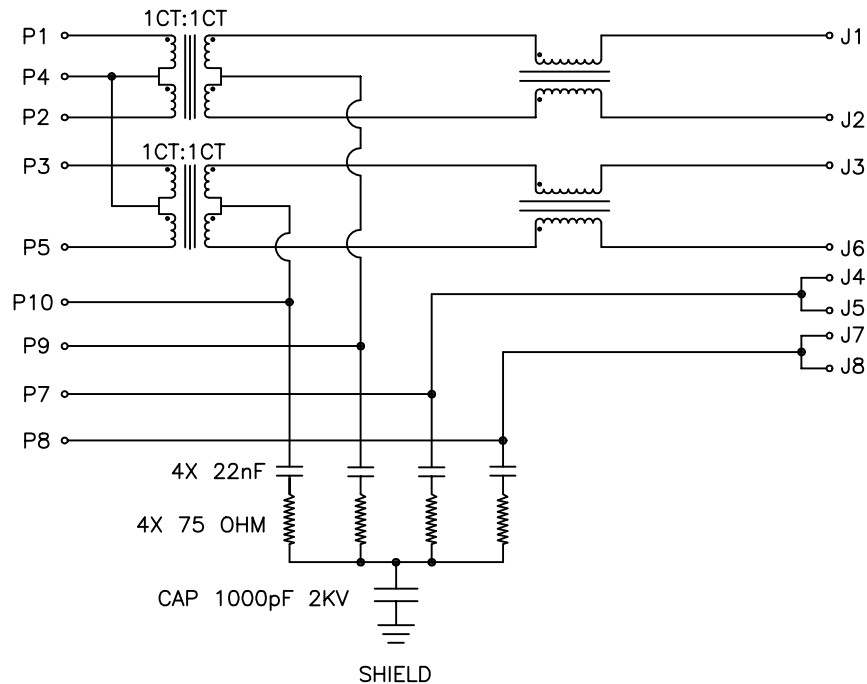
1. CONNECTOR MATERIAL:  
HOUSING: PA66 BLACK UL94 V-0  
SHIELD: Brass  
SHIELD PLATING: NICKEL  
CONTACT: COOPER ALLOY  
CONTACT PLATING: SELECTIVE GOLD, 30 MICRO-INCHES MIN IN CONTACT AREA
2. PIN NOT ELECTRICALLY CONNECTED MAYBE OMITTED SEE ELECTRICAL DRAWING FOR OMITTED PINS
3. RJ45 CAVITIES CONFORM TO FCC RULES AND REGULATION PART 68.
4. THE PART IS RECOMMENDED FOR WAVE SOLDERING PROCESS PEAK SOLDERING TEMPERATURE IS 260°C MAX, 10 SECS MAX
5. OPERATING TEMPERATURE T=-40°C TO +85°C.
6. STORAGE TEMPERATURE T=-40°C TO +85°C.
7. ALL CRITICAL DIMENSIONS WITH "\*"
8. PACKAGING INFORMATION: 50 PCS/ TRAY, 1200 PCS/BOX.



FINAL OUTLINE

© Copyright, 2015. Pulse Electronics Corp. All rights reserved. Pulse confidential & proprietary. (03/02/15)

| PRODUCT DESCRIPTION       | TLA DRAWING    | PS DRAWING | SHEET  | PART NO.    | DATASHEET REV. |
|---------------------------|----------------|------------|--------|-------------|----------------|
| CONN,RJ45,1X1,100P,1:1,TU | JXD1-0005NL-X1 | -          | 1 OF 5 | JXD1-0005NL | B              |

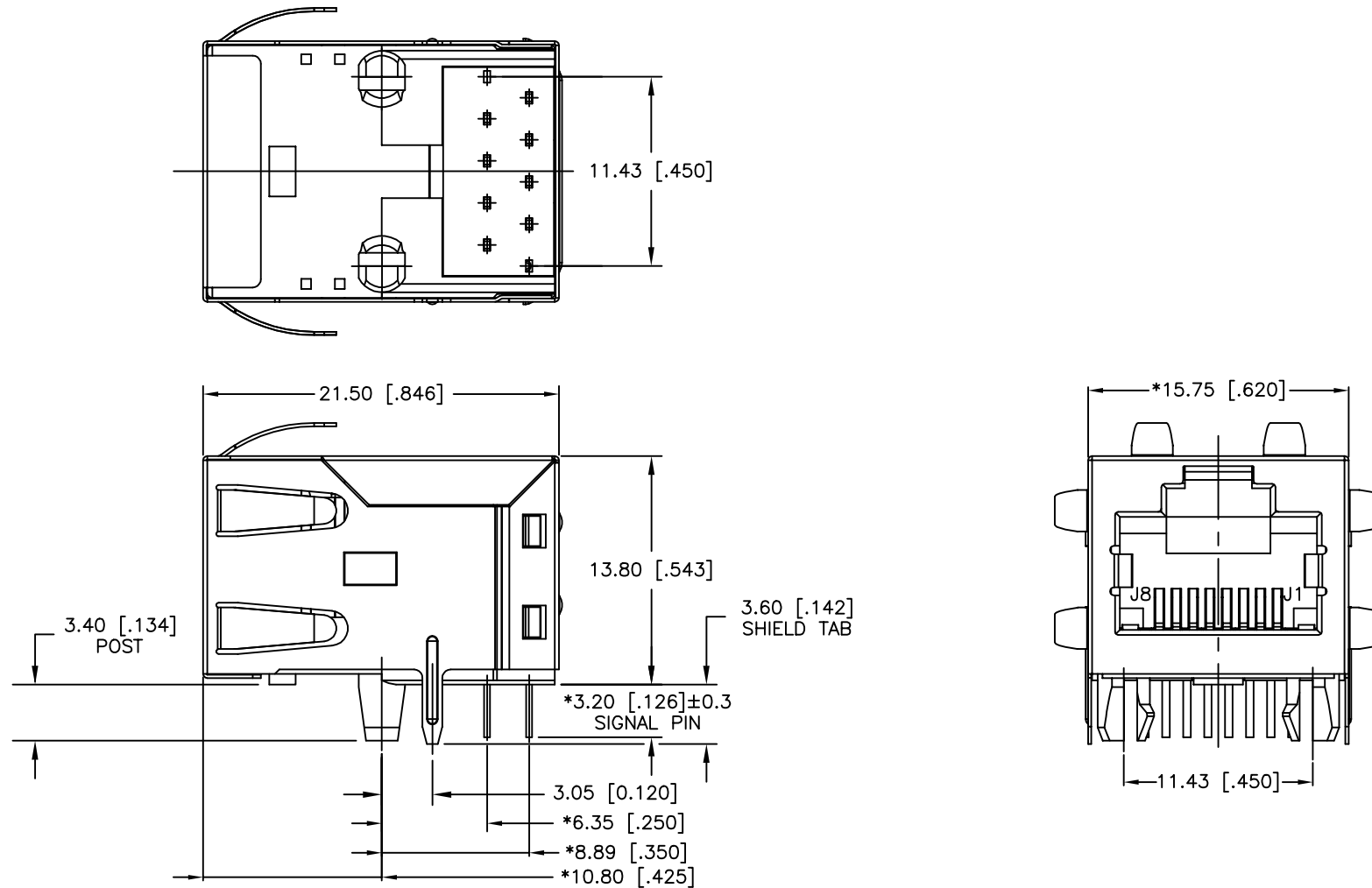


ELECTRONICAL SPECIFICATIONS:

- 1.0 TURN RATIO @100KHz: (P1~P2):(J1~J2) = 1:1±5%  
(P3~P5):(J3~J6) = 1:1±5%
- 2.0 PRIMARY INDUCTANCE: 350uH MIN @100KHZ, 0.1V 8mA DC BIAS
- 3.0 DC RESISTANCE: (J1~J2):(J3~J6) 1.2 OHMS MAX
- 4.0 INSERTION LOSS: 1-100MHz -1.2dB MAX
- 5.0 RETURN LOSS: 1-30MHz -16dB MIN  
30-60MHz -12dB MIN  
60-80MHz -10dB MIN
- 6.0 CROSS TALK: 1-100MHz -30dB MIN
- 7.0 COMMON TO COMMON MODE ATTENUATION: 1-100MHz -30dB MIN
- 8.0 ISOLATION: PHY SIDE TO LINE SIDE: 1500VAC OR 2250VDC
- 9.0 DC CURRENT/VOLTAGE RATING-PSE PINS: 350mA @57V(CONTINUOUS)

© Copyright, 2015. Pulse Electronics Corp. All rights reserved. Pulse confidential & proprietary. (03/02/15)

| PRODUCT DESCRIPTION       | TLA DRAWING    | PS DRAWING | SHEET  | PART NO.    | DATASHEET REV. |
|---------------------------|----------------|------------|--------|-------------|----------------|
| CONN,RJ45,1X1,100P,1:1,TU | JXD1-0005NL-X1 | -          | 2 OF 5 | JXD1-0005NL | B              |

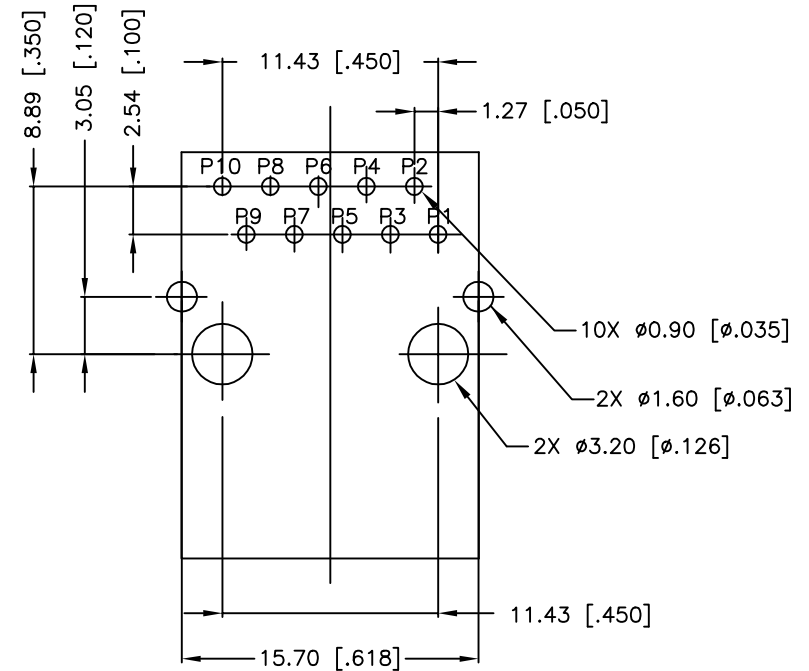
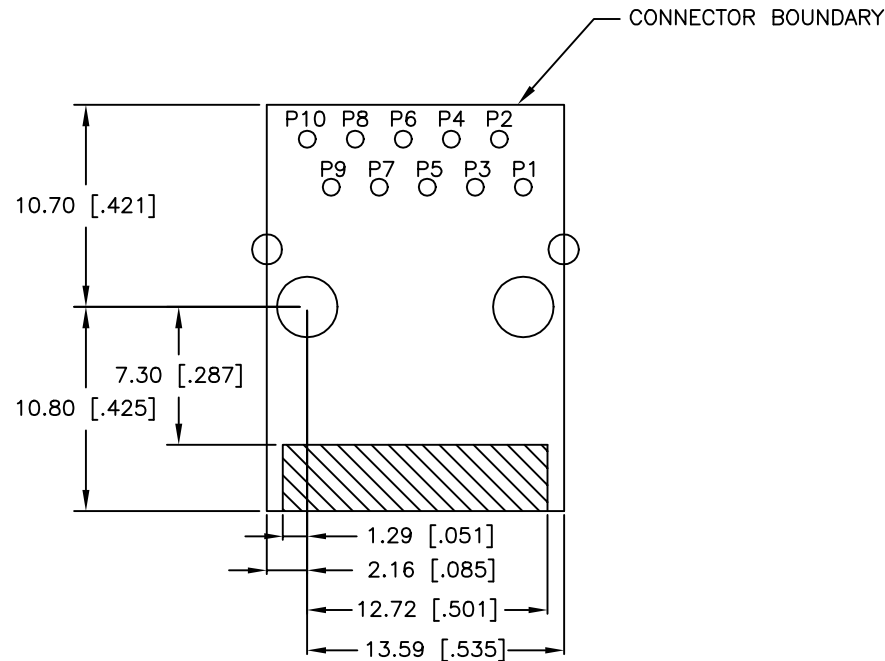


DIMENSIONS ARE IN MILLIMETERS [INCHES] WITH THE FOLLOWING TOLERANCES: [INCHES] ARE FOR REFERENCE ONLY.  
X.XX= ±0.25 [±.010]

© Copyright, 2015. Pulse Electronics Corp. All rights reserved. Pulse confidential & proprietary. (03/02/15)

| PRODUCT DESCRIPTION       | TLA DRAWING    | PS DRAWING | SHEET  | PART NO.    | DATASHEET REV. |
|---------------------------|----------------|------------|--------|-------------|----------------|
| CONN,RJ45,1X1,100P,1:1,TU | JXD1-0005NL-X1 | -          | 3 OF 5 | JXD1-0005NL | B              |

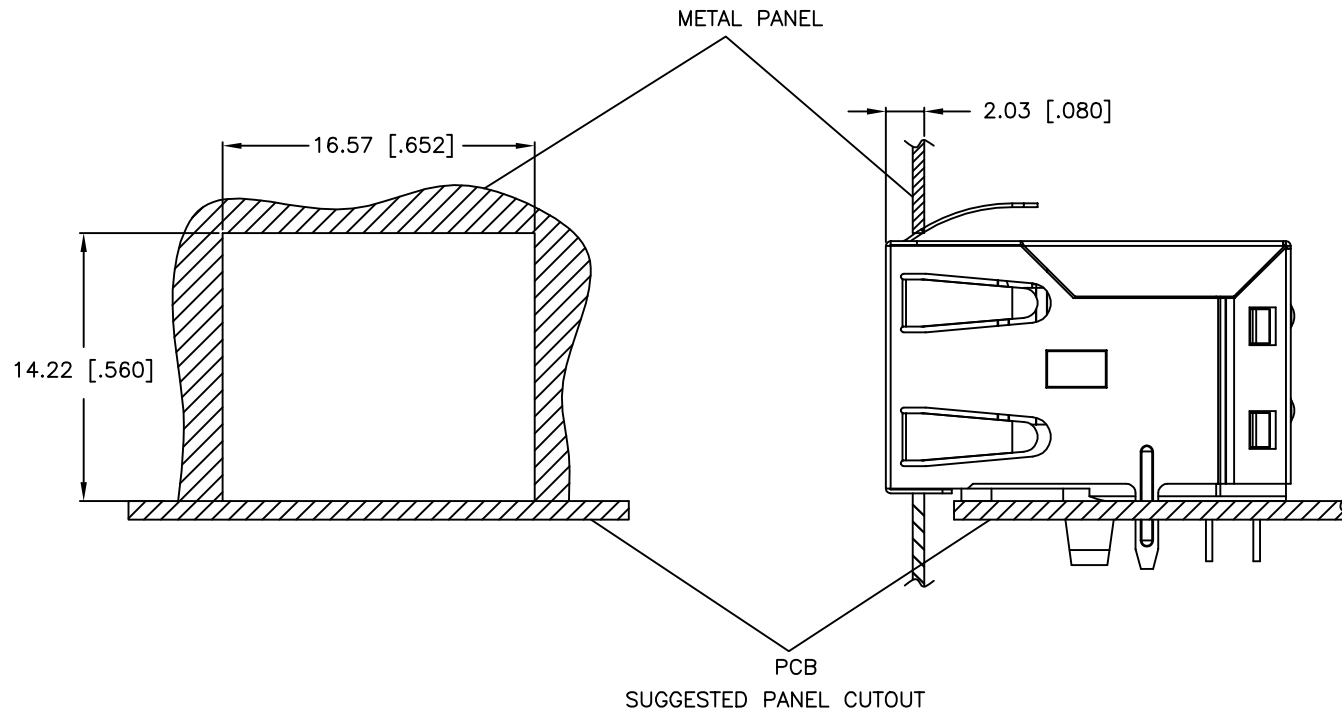




DIMENSIONS ARE IN MILLIMETERS [INCHES] WITH THE FOLLOWING  
TOLERANCES: [INCHES] ARE FOR REFERENCE ONLY.  
X.XX=  $\pm 0.10$  [ $\pm 0.004$ ]

© Copyright, 2015. Pulse Electronics Corp. All rights reserved. Pulse confidential & proprietary. (03/02/15)

| PRODUCT DESCRIPTION       | TLA DRAWING    | PS DRAWING | SHEET  | PART NO.    | DATASHEET REV. |
|---------------------------|----------------|------------|--------|-------------|----------------|
| CONN,RJ45,1X1,100P,1:1,TU | JXD1-0005NL-X1 | -          | 4 OF 5 | JXD1-0005NL | B              |



DIMENSIONS ARE IN MILLIMETERS [INCHES] WITH THE FOLLOWING  
TOLERANCES: [INCHES] ARE FOR REFERENCE ONLY.  
X.XX=  $\pm 0.10$  [ $\pm 0.004$ ]

© Copyright, 2015. Pulse Electronics Corp. All rights reserved. Pulse confidential & proprietary. (03/02/15)

| PRODUCT DESCRIPTION       | TLA DRAWING    | PS DRAWING | SHEET  | PART NO.    | DATASHEET REV. |
|---------------------------|----------------|------------|--------|-------------|----------------|
| CONN,RJ45,1X1,100P,1:1,TU | JXD1-0005NL-X1 | -          | 5 OF 5 | JXD1-0005NL | B              |