



Chipsmall Limited consists of a professional team with an average of over 10 year of expertise in the distribution of electronic components. Based in Hongkong, we have already established firm and mutual-benefit business relationships with customers from,Europe,America and south Asia,supplying obsolete and hard-to-find components to meet their specific needs.

With the principle of “Quality Parts,Customers Priority,Honest Operation,and Considerate Service”,our business mainly focus on the distribution of electronic components. Line cards we deal with include Microchip,ALPS,ROHM,Xilinx,Pulse,ON,Everlight and Freescale. Main products comprise IC,Modules,Potentiometer,IC Socket,Relay,Connector.Our parts cover such applications as commercial,industrial, and automotives areas.

We are looking forward to setting up business relationship with you and hope to provide you with the best service and solution. Let us make a better world for our industry!



Contact us

Tel: +86-755-8981 8866 Fax: +86-755-8427 6832

Email & Skype: info@chipsmall.com Web: www.chipsmall.com

Address: A1208, Overseas Decoration Building, #122 Zhenhua RD., Futian, Shenzhen, China





K-9075 Series

Flexible Mid-Size Patch Cords

Product Description

K-9075 Flexible Patch Cords made with Belden 1505F precision 75 Ohm video cable feature a 22 AWG stranded conductor for increased flexibility over solid conductor patch cords.



- Flexible Patch Cords hang down straight when patched, unlike solid conductor cords which can extend straight out and be accidentally bumped into and unplugged.



- Patch Cords feature molded black strain relief boots with a choice of 8 different cable jacket colors for signal identification and customization.



- Patch Cords are available in 10 standard lengths. Custom cord lengths are also available.
- Mid-Size Patch Plugs are made with precision machined components designed to provide long-term durability, reliability, and performance.

Specifications

Material

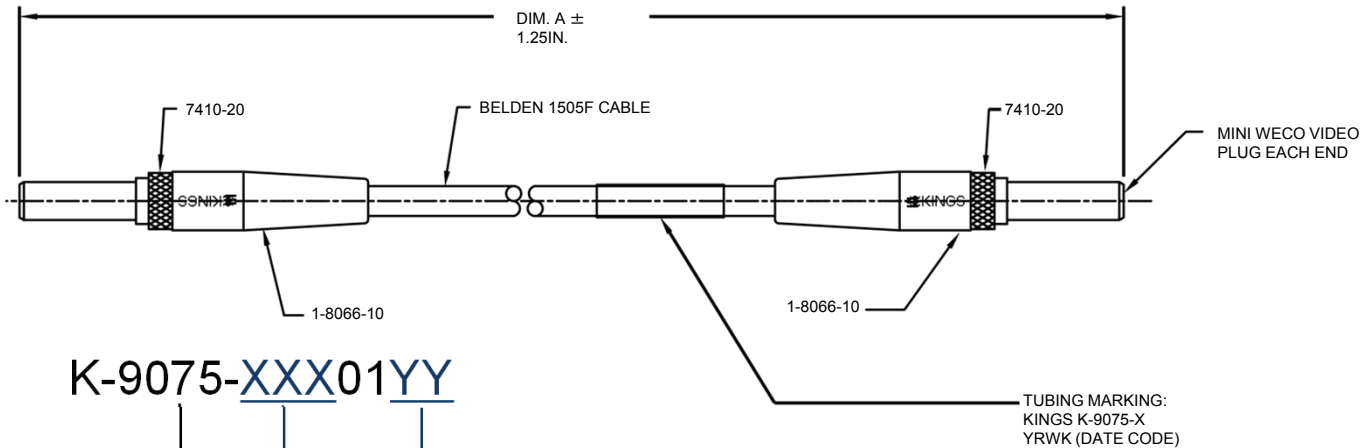
K-Group Sleeve: Commercial Bronze
 Insulators: Teflon®
 Cable Boot: Buna Rubber

Electrical

Nominal Impedance: 75 Ohms
 Frequency Range: DC to 4.5 GHz
 Return Loss: < -20 dB up to 3.0 GHz
 < -15 dB up to 4.5 GHz

Finishes

Body: Nickel Plate
 Contacts: Gold Plate



K-9075-XXX01YY

Series Part Number
 Length "A" in inches
 Cable Jacket Color

PART NUMBER	DIMA ± 1.25
K-9075-012-YY	12.00
K-9075-024-YY	24.00
K-9075-036-YY	36.00
K-9075-048-YY	48.00
K-9075-060-YY	60.00
K-9075-072-YY	72.00
K-9075-120-YY	120.00
K-9075-300-YY	300.00

YY	CABLE COLOR
-01	N/A
-02	Red
-03	Orange
-04	Yellow
-05	Green
-06	Blue
-07	Violet
-08	N/A
-09	White
-10	Black