



Chipsmall Limited consists of a professional team with an average of over 10 year of expertise in the distribution of electronic components. Based in Hongkong, we have already established firm and mutual-benefit business relationships with customers from,Europe,America and south Asia,supplying obsolete and hard-to-find components to meet their specific needs.

With the principle of “Quality Parts,Customers Priority,Honest Operation,and Considerate Service”,our business mainly focus on the distribution of electronic components. Line cards we deal with include Microchip,ALPS,ROHM,Xilinx,Pulse,ON,Everlight and Freescale. Main products comprise IC,Modules,Potentiometer,IC Socket,Relay,Connector.Our parts cover such applications as commercial,industrial, and automotives areas.

We are looking forward to setting up business relationship with you and hope to provide you with the best service and solution. Let us make a better world for our industry!



Contact us

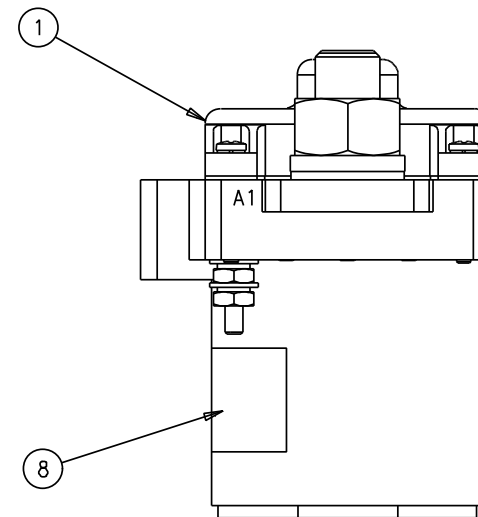
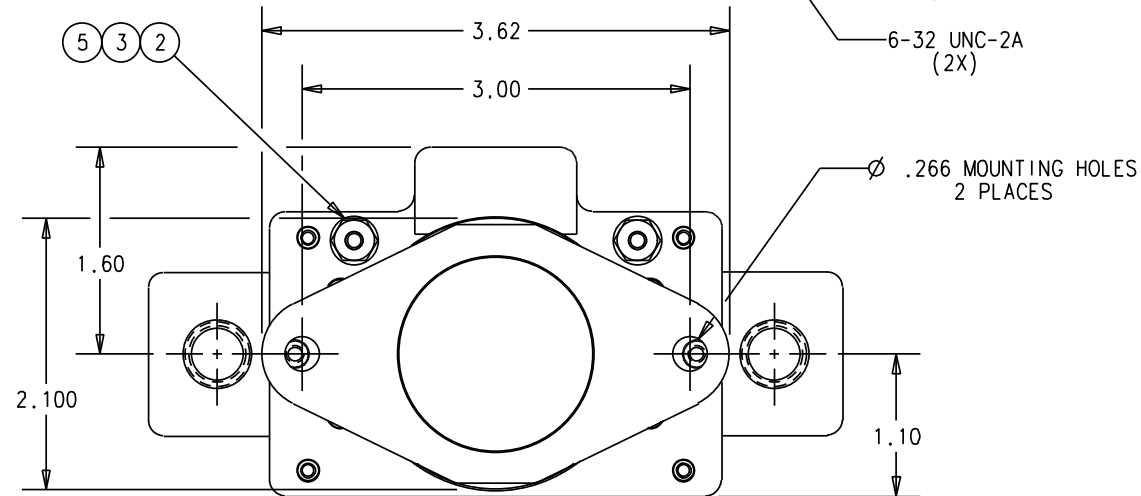
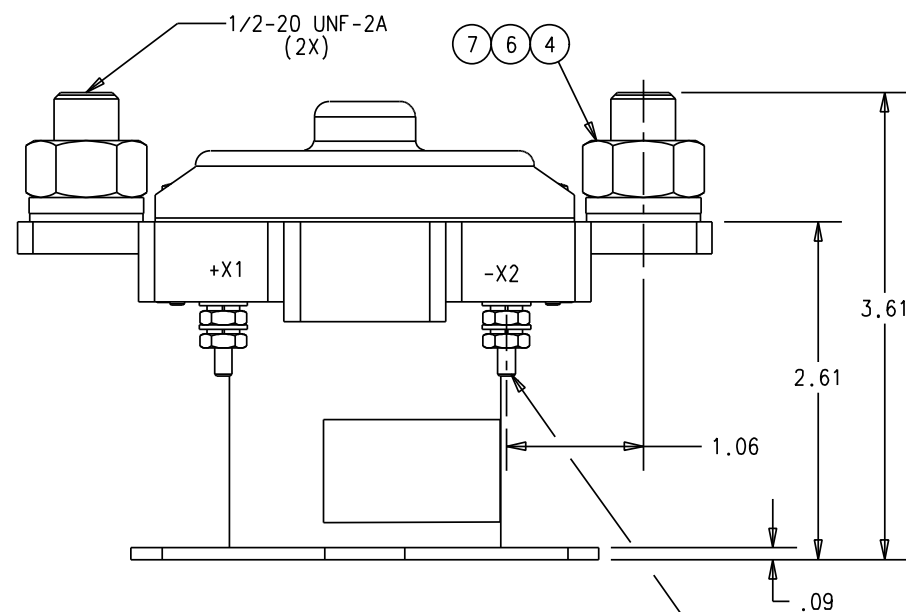
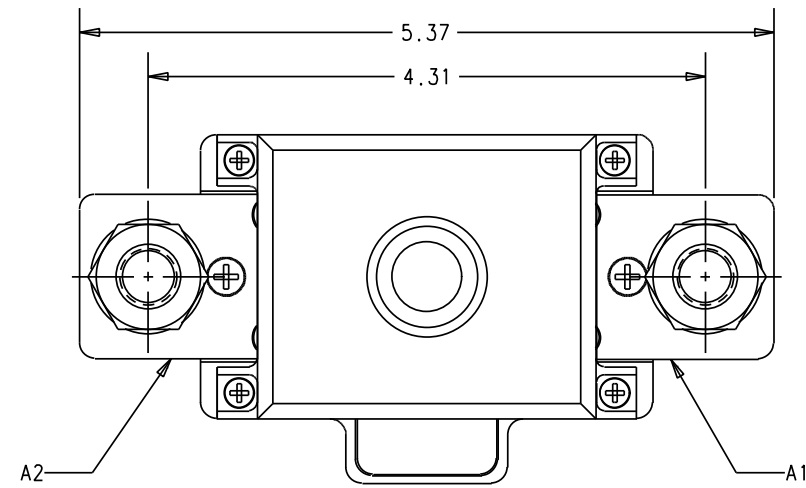
Tel: +86-755-8981 8866 Fax: +86-755-8427 6832

Email & Skype: info@chipsmall.com Web: www.chipsmall.com

Address: A1208, Overseas Decoration Building, #122 Zhenhua RD., Futian, Shenzhen, China



REVISIONS			RELEASED	
REV.	DESCRIPTION	DATE	APPROVED	
A	08-020282 RELEASE	08/09/17	CB	
B	09-005653 ADDED INSTALLATION NOTES	09/02/04	CB	



CONSTRUCTION GASKET SEALED

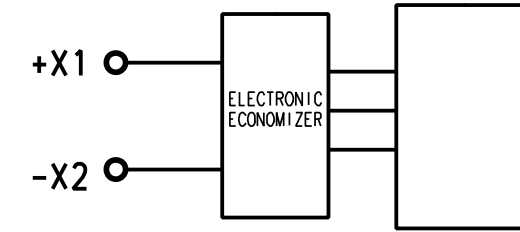
MAIN CONTACTS CONFIGURATION SPST N.O. (DOUBLE BREAK)
 VOLTAGE 28 VDC
 CURRENT RESISTIVE 1000 A

COIL DATA DUTY CYCLE CONTINUOUS (ECONOMIZED)
 NOM. OPERATE VOLTAGE 28 VDC
 MAX. PICKUP VOLTAGE 18 VDC (@25°C)
 DROPOUT VOLTAGE 1-8 VDC
 CURRENT 7.0 A MAX AT 30 VDC - INRUSH
 1.0 A MAX AT 30 VDC - HOLD

ENVIRONMENTAL DATA TEMPERATURE -51°C TO 71°C

LIFE ELECTRICAL 50,000 CYCLES
 LIFE MECHANICAL 100,000 CYCLES

WEIGHT, MAX 2.75 LBS



INSTALLATION NOTES:
 RECOMMENDED TORQUE FOR TERMINATIONS;
 1/2-20 UNF-2A = 112 IN-LBS
 6-32 UNC-2A = 7.5 IN-LBS

FIND NO	QTY	PART OR IDENTIFYING NO	NOMENCLATURE OR DESCRIPTION	DRAWING OR SPECIFICATION	FSCM NO	TE PART NO	MATERIAL OR NOTE
8	1	16043-001	PLATE-NAME			3-1616169-5	
7	2	MS35650-3395T	NUT 1/2-20, .812 HEX, .43 THK			1-1616454-9	
6	2	MS35338-105	LOCK WASHER - SPLIT 1/2			1-1616454-9	
5	2	MS35338-98	WASHER - LOCK			1-1616454-3	
4	2	AN961-816T	WASHER, .52 ID, .88 OD, .064 THK			1616413-5	
3	2	AN961-6T	WASHER FLAT			1616413-4	
2	2	50406-071	NUT, 6-32			4-1616337-6	
1	1	46095-170	CONTACTOR ASSEMBLY PRIMARY			1616967-3	

UNLESS OTHERWISE SPECIFIED DIMENSIONS ARE IN INCHES TOLERANCES ON

2 PL DEC. 3 PL DEC. ANGLES ± .02 ± .005 ± 1°

DR BY	JMK	07/11/15
CHK BY	CB	09/02/04
ENGR	RRG	09/12/08
MFG	DWA	09/02/04

SIZE B CODE IDENT 74063

SCALE 1:1 SHEET 1/1

Tyco Electronics
 Hartman Division 175 N. DIAMOND STREET MANSFIELD, OHIO 44902

CONTACTOR SPST N.O. (DOUBLE BREAK) 1000A

DWG NO. K-1000A1F03

REF TE PN 4-1616966-1