



Chipsmall Limited consists of a professional team with an average of over 10 year of expertise in the distribution of electronic components. Based in Hongkong, we have already established firm and mutual-benefit business relationships with customers from,Europe,America and south Asia,supplying obsolete and hard-to-find components to meet their specific needs.

With the principle of “Quality Parts,Customers Priority,Honest Operation,and Considerate Service”,our business mainly focus on the distribution of electronic components. Line cards we deal with include Microchip,ALPS,ROHM,Xilinx,Pulse,ON,Everlight and Freescale. Main products comprise IC,Modules,Potentiometer,IC Socket,Relay,Connector.Our parts cover such applications as commercial,industrial, and automotives areas.

We are looking forward to setting up business relationship with you and hope to provide you with the best service and solution. Let us make a better world for our industry!



## Contact us

Tel: +86-755-8981 8866 Fax: +86-755-8427 6832

Email & Skype: info@chipsmall.com Web: www.chipsmall.com

Address: A1208, Overseas Decoration Building, #122 Zhenhua RD., Futian, Shenzhen, China



Für diese Unterlage behalten wir uns alle Rechte vor, auch für den Fall der Patentverletzung oder Gebrauchsmusterinfraktion. Sie darf ohne unsere vorherige schriftliche Zustimmung weder vervielfältigt noch sonstwie benutzt, nach Dritten zugänglich gemacht werden.

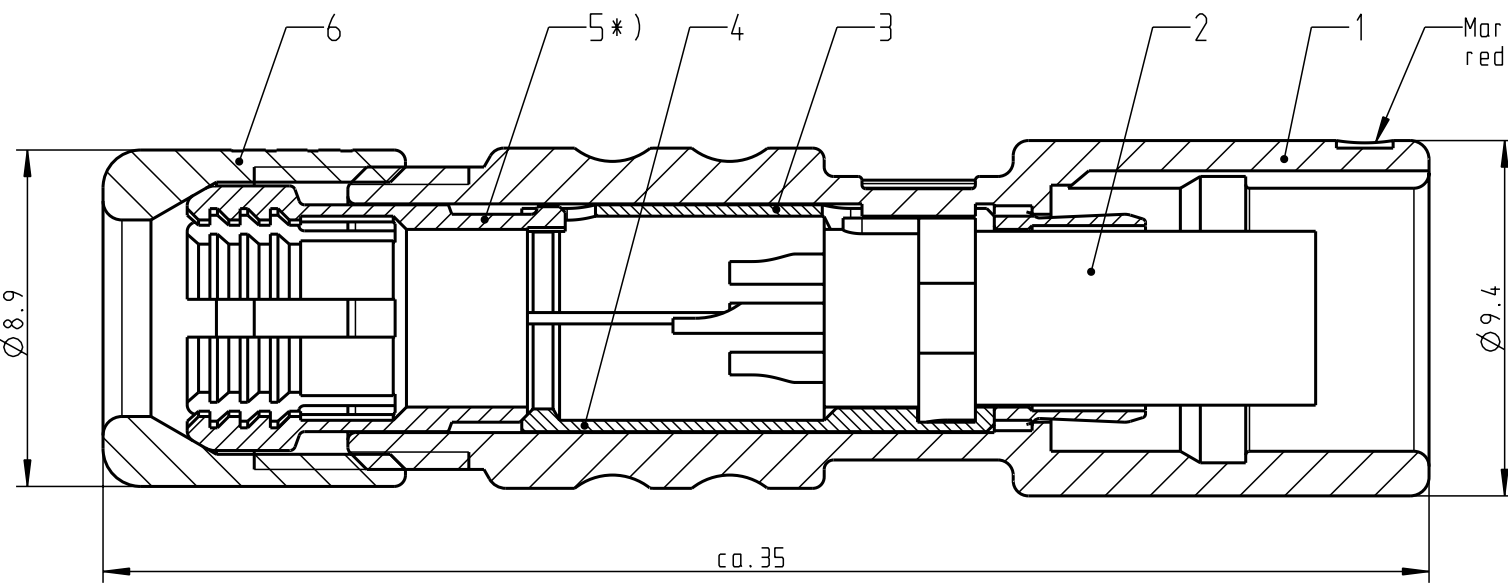
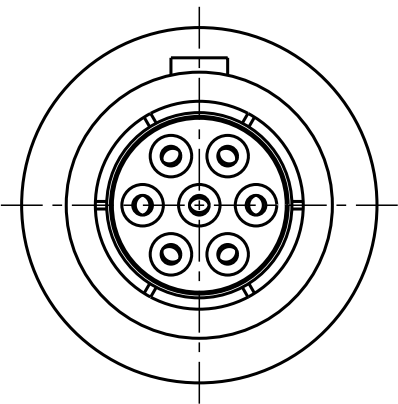
Nur rot gestempelte oder auf Laufkarte gedruckte Dokumente unterliegen dem Änderungsdienst und sind zur Fertigung freigegeben. Only red stamped or on jobcard printed documents are managed. These documents are approved for production.

All Rights reserved, including possible patents or trademarks. Documents shall not be provided to a third party or duplicated in any form without prior written permission.

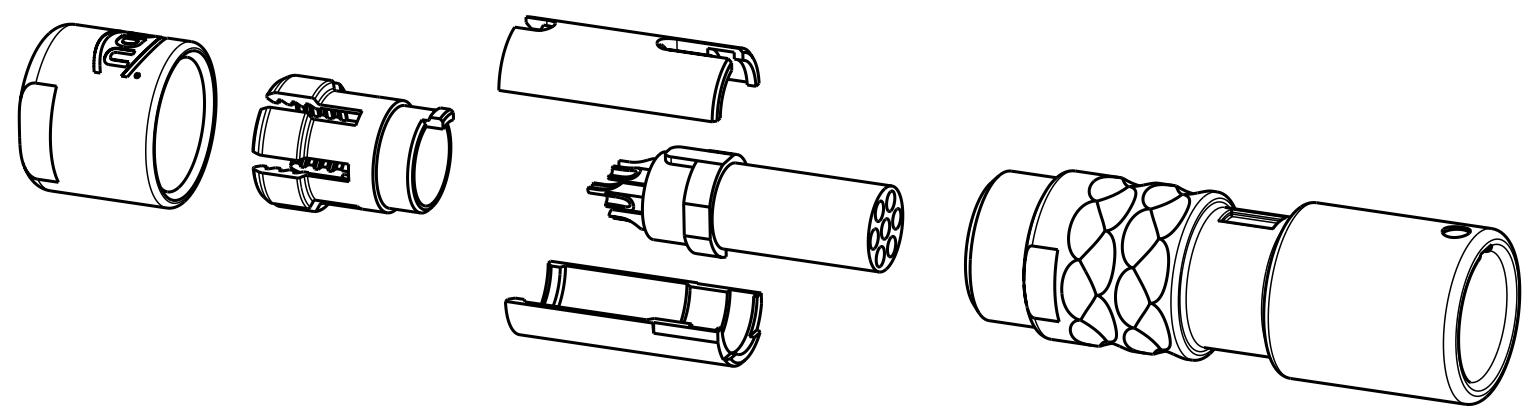
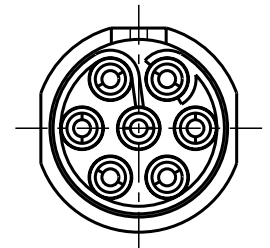
CAD: Pro/ENGINEER

1 2 3 4 5 6 7 8

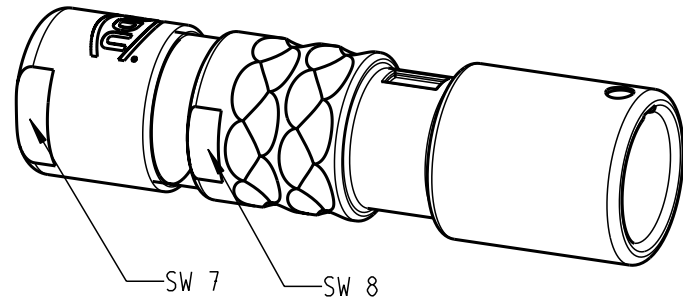
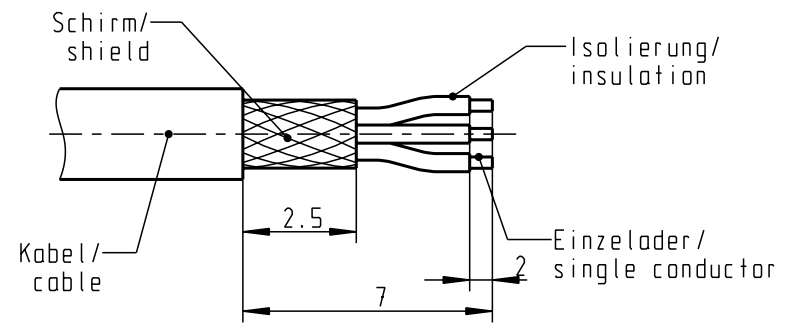
Anzugsdrehmoment: 0.6 Nm  
torque value



Nur Einsatz dargestellt!  
View only insert!



empfohlene Abisolierlänge/  
recommended Cable Preparation



\*) Darstellung nur Beispiel!  
figure on only for example!

Technische Daten/Technical Data:

|   |                                      |  |  |
|---|--------------------------------------|--|--|
| Werkstoffe/Materials:<br>Gehäuse/Housing:   | Cu-Legierung<br>/Cu-alloy            | KontaktØ /ContactØ:<br>Anschluß/Termination:<br>Löt/Solder     | Ø0.5 mm<br>0.08mm <sup>2</sup><br>AWG 28 |
| Kontakte/Contacts:  | Cu-Legierung<br>/Cu-alloy            | Prüfspannung/Test Voltage:                                     | 750 V AC                                 |
| Isolierkörper/Insulation Body:  | PEEK                                 | Strombelastung/Current Load:<br>Einzelkontakte/single contacts | 5 A                                      |
| Oberflächen/Surfaces:<br>Gehäuse/Housing  | matt verchromt<br>matt chrome-plated |  |  |
| Kontakte/Contacts:  | gal. Au                              |  |  |
| Schutzart im gesteckten Zustand: IP 50<br>/Protection Class in mated<br>condition |                                      |  |  |

|                              |                  |
|------------------------------|------------------|
| K10LOC-P07LCC0-2200          | > 1.5 - 2.2 mm   |
| K10LOC-P07LCC0-3200          | > 2.0 - 3.2 mm   |
| K10LOC-P07LCC0-4200          | > 3.0 - 4.2 mm   |
| K10LOC-P07LCC0-5200          | > 4.0 - 5.2 mm   |
| K10LOC-P07LCC0-5600          | > 5.0 - 5.6 mm   |
| Artikelnummer<br>part number | KabelØ<br>cableØ |

|   |            |       |      |                                      |  |                 |                |
|---|------------|-------|------|--------------------------------------|--|-----------------|----------------|
| Maße ohne Toleranzangabe nach<br>mittel<br>DIN ISO 2768 |            |       |      | Rohteil:                             |  | Rohgew.:        | PE-Modell-Nr.: |
| 2008 Tag Name   |            |       |      | Benennung:                           |  | CAD-Nr.:        | Bl.:           |
| Bearb. 06.10. D.Stein                                   |            |       |      | Kabelteil cpl.<br>In-Line Receptacle |  | 00040043        |                |
| Gepr. Norm.   |            |       |      | Zeichnungs Nr.:                      |  | Maßstab:        |                |
|   |            |       |      | K10LOC-P07LCC0-..00                  |  | 5:1             |                |
|   |            |       |      | Ersatz für:                          |  | Vervielf. Pause |                |
|   |            |       |      | otto dunkel gmbh                     |  | Nr.:            |                |
| Änd-zust.   | Änd.-Mitt. | Datum | Name |                                      |  |                 |                |