



Chipsmall Limited consists of a professional team with an average of over 10 year of expertise in the distribution of electronic components. Based in Hongkong, we have already established firm and mutual-benefit business relationships with customers from,Europe,America and south Asia,supplying obsolete and hard-to-find components to meet their specific needs.

With the principle of “Quality Parts,Customers Priority,Honest Operation,and Considerate Service”,our business mainly focus on the distribution of electronic components. Line cards we deal with include Microchip,ALPS,ROHM,Xilinx,Pulse,ON,Everlight and Freescale. Main products comprise IC,Modules,Potentiometer,IC Socket,Relay,Connector.Our parts cover such applications as commercial,industrial, and automotives areas.

We are looking forward to setting up business relationship with you and hope to provide you with the best service and solution. Let us make a better world for our industry!



Contact us

Tel: +86-755-8981 8866 Fax: +86-755-8427 6832

Email & Skype: info@chipsmall.com Web: www.chipsmall.com

Address: A1208, Overseas Decoration Building, #122 Zhenhua RD., Futian, Shenzhen, China



K12 High Performance Key Switches

Features/Benefits

- **Excellent tactile feel**
- **Wide choice of LED colors, travel and actuator forces**
- **High reliability / long life**
- **Sealed version available**
- **Designed for low-level switching**
- **Double stroke version available**
- **Detector version available**

Typical Applications

- **Automotive**
- **Off-road transportation**
- **Industrial electronics**
- **Computers & network equipment**
- **Joysticks**



Construction:

FUNCTION: momentary
 DISTANCE BETWEEN BUTTON CENTERS:
 min. 11 (0.433) K12C = 13 (0.512)
 TERMINALS: PC pins, tinned
 MOUNTING: Locating pins; K12G and K12P additionally
 with snap-in housing

Mechanical

TOTAL TRAVEL: 1 mm, 1.5 mm, 2 mm
 SWITCHING TRAVEL: 0,6 mm*
 OPERATING FORCE: 1.5 N OD without snap-point as detector
 switch, 2.5 N, 3.5 N, 5 N, 3.5/7 N, 6/12 N. Additional
 operating force 7N, 9N and 20N, available on request.
 PROTECTION CLASS: K12C IP 67 (dust tight, protected against
 the effects of immersion in water; other versions IP 40)

* Additional switching travel (with pre-travel) available by request.

Packaging

Bulk in boxes of 250 pieces (version C or GO) or
 300 pieces (version A, AL, P or PL)

Electrical

SWITCHING POWER MIN./MAX.: 0.02mW/3 W
 SWITCHING VOLTAGE MIN./MAX.: 2 V DC / 30 V DC
 SWITCHING CURRENT MIN./MAX.: 10 mA /100 mA
 DIELECTRIC STRENGTH (50 Hz, 1 min): ≥ 500 V
 OPERATING LIFE with max. switching power: ≥ 10⁶ operations
 K12G & K12GO; operating life of second switch 5 x 10⁶ operations,
 operating life K12C and version with more than 6N (7N, 9N 20N)
 please consult factory.
 CONTACT RESISTANCE: Initial ≤ 50 mΩ
 INSULATION RESISTANCE: ≥ 10¹⁰ Ω
 BOUNCE TIME: ≤ 1 ms
 Operating speed 100 mm/s (3.94/s)

Environmental

OPERATING TEMPERATURE: -40°C to 85°C.
 STORAGE TEMPERATURE: -40°C to 95°C.

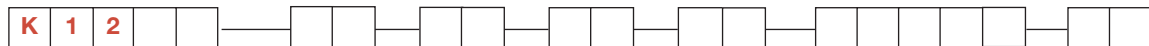
Process

SOLDERABILITY:
 Wave soldering, compatible with lead free soldering profile
 Hand soldering, 350°C

How To Order

Our easy build-a-switch concept allows you to mix and match options to create the switch you need. To order, select desired option from each category and place it in the appropriate box.

Note: Some of the configurations may not be available or could require some development.



Series

- K12A** No snap-in pegs
- K12AL** No snap-in pegs with central LED
- K12P** With snap-in pegs
- K12PL** With central LED
- K12C** Sealed contact with rubber cap (IP 67)
- K12GO** Two-step switch

Cap Color

- NONE** version with LED, version C
- BK** Black cap - No LED
- YE** Yellow cap - No LED
- RD** Red cap - No LED
- GY** Gray cap - No LED

LED Color

- NONE** No LED
- GN** Green
- YE** Yellow
- OG** Orange
- RD** Red
- WH** White
- BU** Blue

Travel*

- 1** 1 mm (0.039)
- 1.5** 1.5 mm (0.059)
- 2** 2 mm (0.079)

Operating Force***

- 1.5N OD** 1.5 N without snap-point
- 2.5N** 2.5 N
- 3.5N** 3.5 N
- 5N** 5 N
- 3.5/7N** 3.5/7 N**
- 6/12N** 6/12 N**

Standard LED Code

- NONE** No LED
- LV306** Green
- LV327** Yellow
- LV315** Orange
- LV352** Red
- LV302** White
- LV328** Blue

Contact Arrangement

- NONE** SPST NO (STD)
- 1R** SPST NC (Special request)

* K12C – 1mm MAX
 K12 with LED – 1.5 mm MAX
 ** K12G & K12GO version only
 *** Additional operating force: 7N, 9N available on request



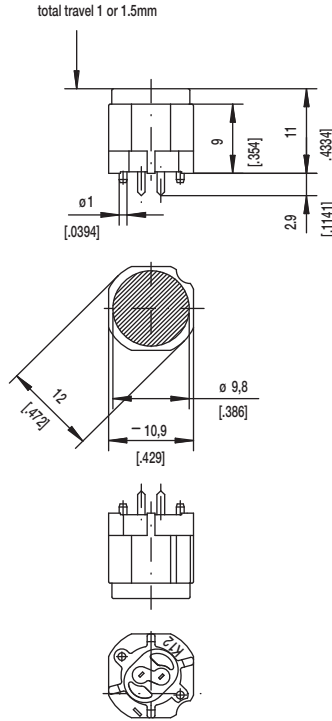
*Dimensions are shown: mm
 Specifications and dimensions subject to change*



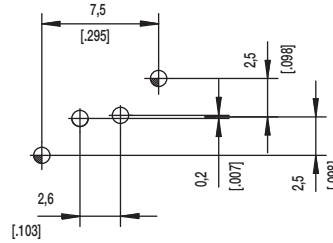
K12 High Performance Key Switches

SERIES

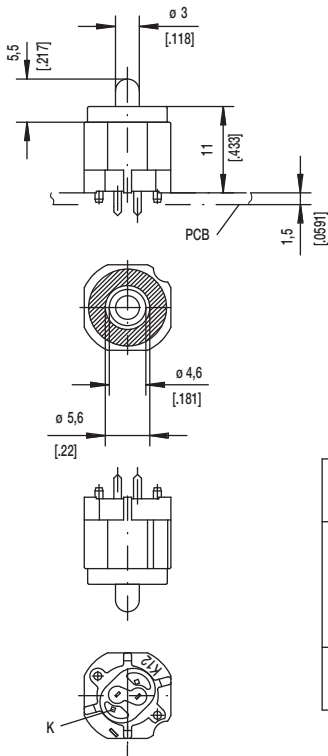
K12A without snap in



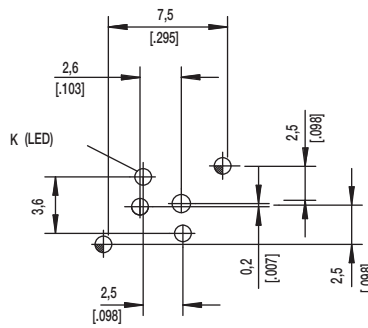
PCB LAYOUT, MOUNTING SIDE



K12AL



PCB LAYOUT, MOUNTING SIDE



	$1,1^{+0,05}$	2x	2x	center hole		
	$0,9 \pm 0,05$		2x	LED	$\varnothing 0,5 (.020)$	Sn
		2x	2x	switch	$0,7 \times 0,2 (.028 \times .081)$	Sn
Hole	\varnothing	Without	with LED	Description	Terminal Section	Surface

First Angle Projection

Dimensions are shown: mm
Specifications and dimensions subject to change

C&K

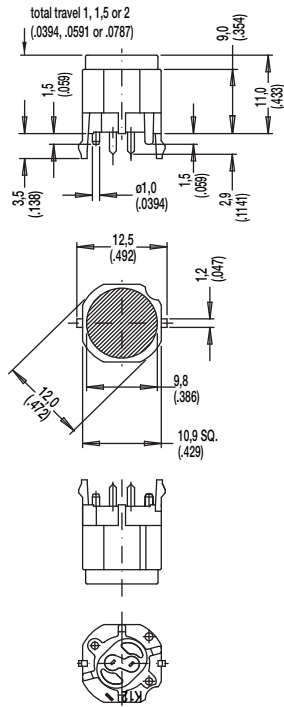


Key Switches

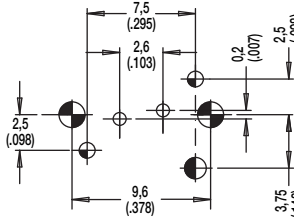
K12 High Performance Key Switches

SERIES

K12P with snap in



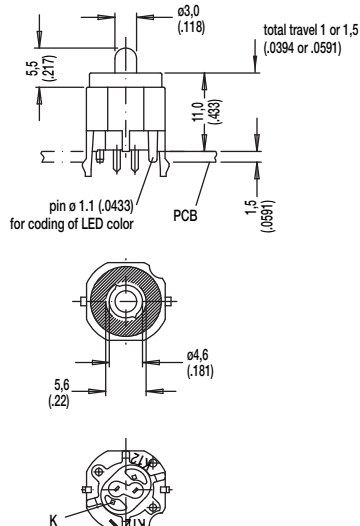
PCB LAYOUT, MOUNTING SIDE



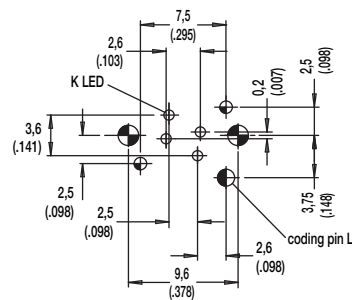
center of actuation area (notice LED)

Hole	Ø	Without LED	Description	Terminal Section	Surface
	1,7 (.069)	2x	snap-in		
	1,6 (.062)	1x	coding hole (L,M,N)		
	1,1 (.043)	2x	center hole		Sn
	0,9 (.035)	2x	switch	0.7 x 0.2 (.028 x .081)	Sn

K12PL

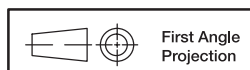


PCB LAYOUT, MOUNTING SIDE



center of actuation area (notice LED)

Hole	Ø	Without LED	Description	Terminal Section	Surface
	1,7 (.069)	2x	snap-in		
	1,6 (.062)	1x	coding hole (L,M,N)		
	1,1 (.043)	2x	center hole		Sn
	0,9 (.035)	2x	LED	m0.5 (.020)	Sn
	0,9 (.035)	2x	switch	0.7 x 0.2 (.028 x .081)	Sn



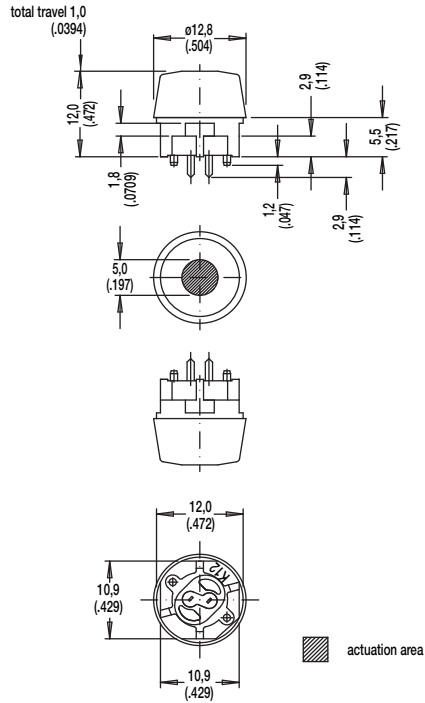
Dimensions are shown: mm
Specifications and dimensions subject to change



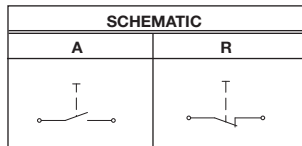
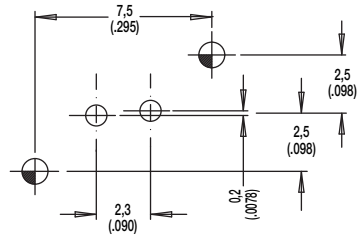
K12 High Performance Key Switches



SERIES 

K12C SEALED CONTACT WITH RUBBER CAP (IP 67)



PCB LAYOUT, MOUNTING SIDE



Hole	Ø	Without LED	Description	Terminal Section	Surface
	1,1 (.043)	2x	center hole		
	0,9 (.035)	2x	switch	0.7 x 0.2(.0275 x .0787)	Sn



Key Switches



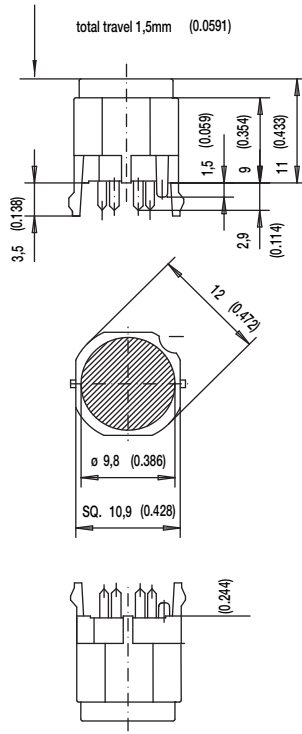
Dimensions are shown: mm
Specifications and dimensions subject to change



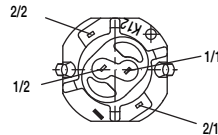
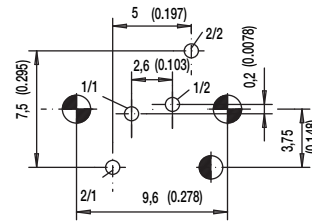
K12 High Performance Key Switches

SERIES

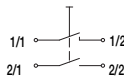
K12GO



PCB LAYOUT, MOUNTING SIDE



SCHEMATIC K12G



Hole	Ø	Without LED	Description	Terminal Section	Surface
	1,7 (.069)	2x	snap-in		
	1,6 (.062)	1x	code		
	0,9 (.035)		LED	m0.5 (.020)	Sn
		2x	switch 2	0.7 x 0.3 (.028 x .012)	Sn
		2x	switch 1	0.7 x 0.2 (.028 x .081)	Sn



First Angle
Projection

Dimensions are shown: mm
Specifications and dimensions subject to change



K12

High Performance Key Switches

CAP COLOR

OPTION CODE	COLOR
NONE	Version with LED
BK	Black - no LED
YE	Yellow - no LED
RD	Red - no LED
GY	Gray - no LED

LED COLOR

OPTION CODE	COLOR
NONE	Models without LED
GN	Green
YE	Yellow
OG	Orange
RD	Red
WH	White
BU	Blue

STANDARD LED CODE	COLOR
NONE	Models without LED
LV306	Green
LV327	Yellow
LV315	Orange
LV352	Red
LV302	White
LV328	Blue

TRAVEL

- 1** 1 mm
- 1.5** 1.5 mm
- 2** 2 mm

OPERATING FORCE

OPTION CODE	OPERATING FORCE
1.5N OD	1.5 N, 150g without snap-point
2.5N	2.5 N, 250g
3.5N	3.5 N, 350g
5N	5 N, 500g
3.5/7N	3.5/7 N, 350/700g
6/12N	6/12 N, 600-1200g

CONTACT ARRANGEMENT OPTION

1R SPST NC (SPECIAL REQUEST FOR NORMALLY CLOSED OPTION)



D

Key Switches



First Angle Projection

Dimensions are shown: mm
Specifications and dimensions subject to change

