



Chipsmall Limited consists of a professional team with an average of over 10 year of expertise in the distribution of electronic components. Based in Hongkong, we have already established firm and mutual-benefit business relationships with customers from,Europe,America and south Asia,supplying obsolete and hard-to-find components to meet their specific needs.

With the principle of “Quality Parts,Customers Priority,Honest Operation,and Considerate Service”,our business mainly focus on the distribution of electronic components. Line cards we deal with include Microchip,ALPS,ROHM,Xilinx,Pulse,ON,Everlight and Freescale. Main products comprise IC,Modules,Potentiometer,IC Socket,Relay,Connector.Our parts cover such applications as commercial,industrial, and automotives areas.

We are looking forward to setting up business relationship with you and hope to provide you with the best service and solution. Let us make a better world for our industry!



Contact us

Tel: +86-755-8981 8866 Fax: +86-755-8427 6832

Email & Skype: info@chipsmall.com Web: www.chipsmall.com

Address: A1208, Overseas Decoration Building, #122 Zhenhua RD., Futian, Shenzhen, China



AC Diagonal Compact Modules

Series K2E200-AD Ø 200 mm



Highlights:

– Thermal overload protector (TOP) internally connected

Material: Impeller: PA composite

Housing: PP composite

Mounting position: Shaft horizontal or rotor on top; rotor on bottom on request

Condensate discharge holes: None

Direction of rotation: Clockwise, seen on rotor

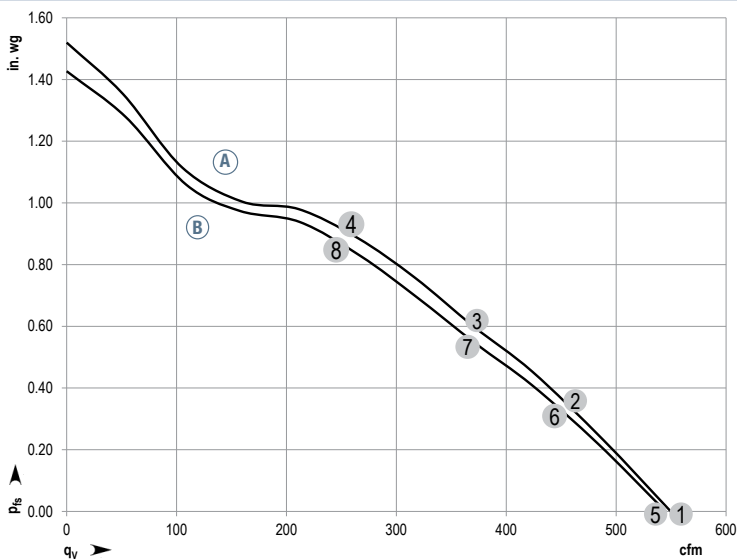
Nominal Data

Type	Motor	Air flow cfm	Phase	Voltage VAC	Frequency Hz	Power input (1) W	Speed (1) rpm	Current draw (1) A	Max back pressure in. H ₂ O	Temperature range (1) °C	Mass lbs	Bearing	Ingress protection rating	UL	Chart
K2E200-AD08-02	M2E068-CF	550	1~	115V	50/60	90	3200	0.80	0.844	-25...85	5.73	Ball	IP44*	Yes	(A)
K2E200-AD20-01	M2E068-CF	544	1~	230V	50/60	85	3150	0.38	0.844	-25...65	5.73	Ball	IP44*	Yes	(B)

(1) Nominal data at free air.

* Depending on installation and position.

Curves



Air performance measured as per: ISO 5801, Installation category A, without protection against accidental contact.

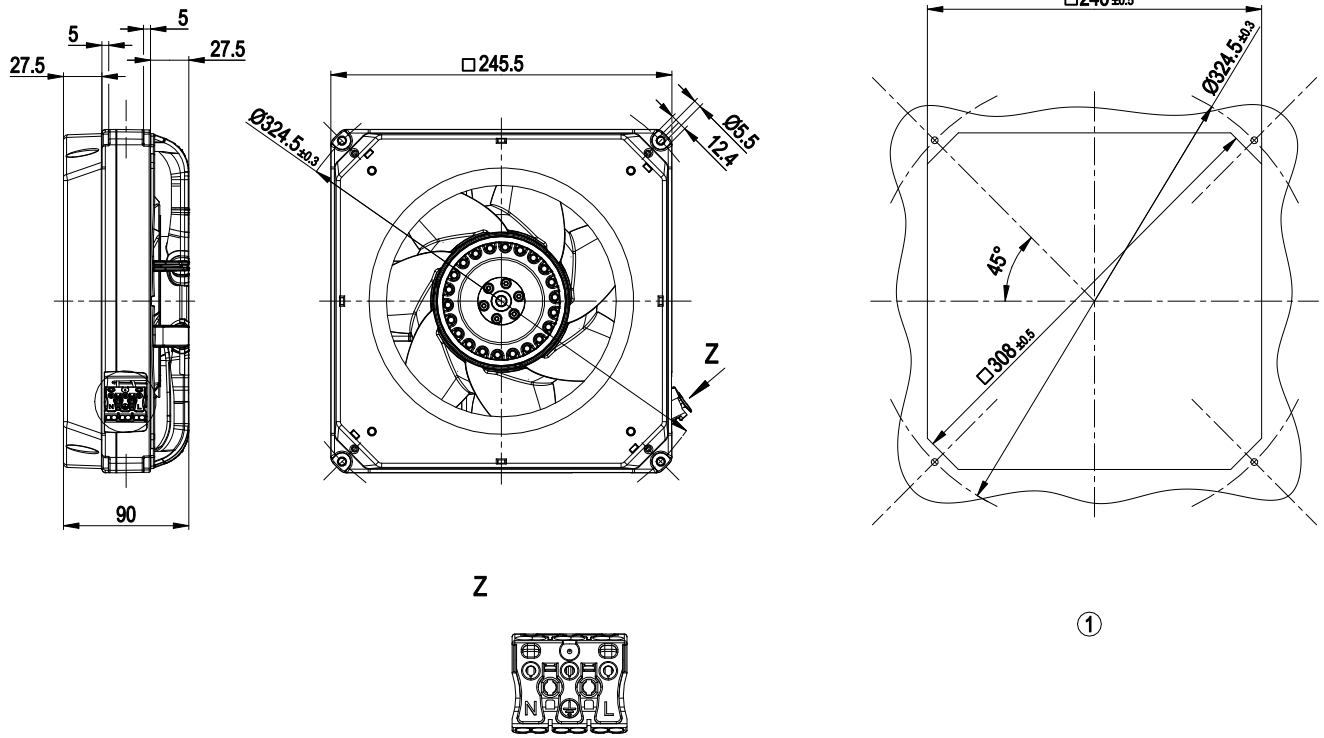
Suction-side noise levels: L_{WA} as per ISO 13347, L_{pA} measured at 1m distance to fan axis.

The values given are valid under the measuring conditions mentioned and may vary according to the actual installation situation.

With any deviation to the standard set-up, the specific values have to be checked and reviewed once installed or fitted.

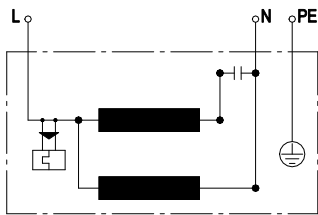
For detailed information on the measuring set-up, please contact ebm-papst.

	n rpm	Pe W	I A	L _{pA} in dB(A)	L _{WA} in dB(A)
1	3200	90	0.80	64	72
2	3120	95	0.83	63	71
3	3080	99	0.87	61	69
4	3095	97	0.85	61	69
5	3150	85	0.38	64	72
6	3065	90	0.40	63	71
7	3015	95	0.41	62	70
8	3035	92	0.40	62	70



1 Mounting dimensions

Connection screen



L	black	N	blue	PE	green/yellow
---	-------	---	------	----	--------------