



Chipsmall Limited consists of a professional team with an average of over 10 year of expertise in the distribution of electronic components. Based in Hongkong, we have already established firm and mutual-benefit business relationships with customers from,Europe,America and south Asia,supplying obsolete and hard-to-find components to meet their specific needs.

With the principle of “Quality Parts,Customers Priority,Honest Operation,and Considerate Service”,our business mainly focus on the distribution of electronic components. Line cards we deal with include Microchip,ALPS,ROHM,Xilinx,Pulse,ON,Everlight and Freescale. Main products comprise IC,Modules,Potentiometer,IC Socket,Relay,Connector.Our parts cover such applications as commercial,industrial, and automotives areas.

We are looking forward to setting up business relationship with you and hope to provide you with the best service and solution. Let us make a better world for our industry!



Contact us

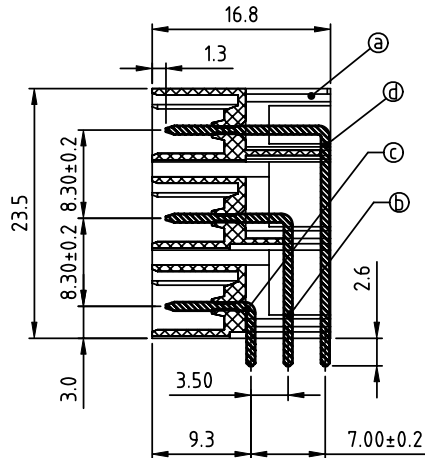
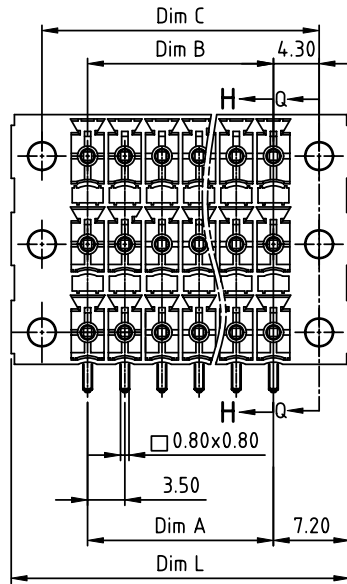
Tel: +86-755-8981 8866 Fax: +86-755-8427 6832

Email & Skype: info@chipsmall.com Web: www.chipsmall.com

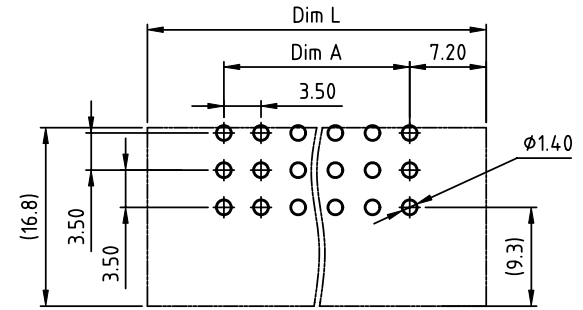
Address: A1208, Overseas Decoration Building, #122 Zhenhua RD., Futian, Shenzhen, China



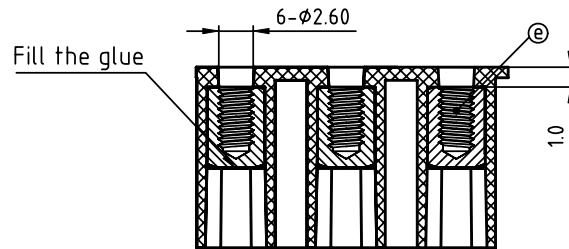
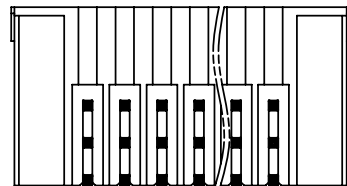
PRODUCT NUMBER	PITCH
K3xx12x1A0J0G	3.50 mm



SECTION H-H



RECOMMENDED P.C.B LAYOUT
TOP VIEW



SECTION Q-Q

Material:

- Item a Terminal(housing): Thermoplastic (UL94V-0)
- Item b Pin1: copper Tin plated
- Item c Pin2: copper Tin plated
- Item d Pin3: copper Tin plated
- Item e Flange screw NUT: Brass M 2.5

Electrical:

- Voltage rating: 160V
- Current rating: 5.5A
- Withstanding Voltage: 132 KV
- Operating temperature: -40°C to +115°C
- Soldering temperature: 260°C ±5°C/5 Sec
- Safety Approval: cULus

DIMENSION

Dim L	(N/3-1) × 3.5+5.0
Dim A	(N/3-1) × 3.5
Dim B	(N/3-1) × 3.5
Dim C	(N/3-1) × 3.5+8.6

POLES	Tolerance
3x2P-3x6P	±0.15
3x7P-3x12P	±0.20
3x13P-3x18P	±0.25
3x19p-3x24p	±0.30

PART NO.: K3 xx 1 2 x 1 A0J0 G

- Solid block
- No. of poles
- 06 3x2poles
- 09 3x3poles
-
- 72 3x24poles
- Color
- 0 Black (RAL9005)
- 2 Red (RAL3001/D)
- 3 Orange(RAL2011/P)
- 4 Yellow(RAL1018/A)
- 5 Green(RAL6018/T)
- 6 Blue (RAL5015/A)
- 8 Grey(RAL7035/D)
- 9 White(RAL1102)
- C Green(RAL6018/U)
- RoHS compliant (lead<4%) In copper Alloy

mat'l. code		surface ASME Y14.5	tolerance ASME Y14.5	projection	product family
ltr	ecn no	dr	date	tolerances unless otherwise specified	TERMINAL BLOCK
				angles	title
				MM	TERMINAL BLOCK
				X°±1'	PLUGGABLE SOCKET, WITH FLANGE, RIGHT ANGLE
				scale	PLUGGABLE SOCKET, WITH FLANGE, RIGHT ANGLE
				dr	dwg no
				ENGR	sheet 1 of 1
				chr	size
				appd	A4
					K3xx12x1A0J0G
					type
					CUSTOMER Drawing
sheet index	revision	A			
	sheet	1			