



Chipsmall Limited consists of a professional team with an average of over 10 year of expertise in the distribution of electronic components. Based in Hongkong, we have already established firm and mutual-benefit business relationships with customers from,Europe,America and south Asia,supplying obsolete and hard-to-find components to meet their specific needs.

With the principle of “Quality Parts,Customers Priority,Honest Operation,and Considerate Service”,our business mainly focus on the distribution of electronic components. Line cards we deal with include Microchip,ALPS,ROHM,Xilinx,Pulse,ON,Everlight and Freescale. Main products comprise IC,Modules,Potentiometer,IC Socket,Relay,Connector.Our parts cover such applications as commercial,industrial, and automotives areas.

We are looking forward to setting up business relationship with you and hope to provide you with the best service and solution. Let us make a better world for our industry!



Contact us

Tel: +86-755-8981 8866 Fax: +86-755-8427 6832

Email & Skype: info@chipsmall.com Web: www.chipsmall.com

Address: A1208, Overseas Decoration Building, #122 Zhenhua RD., Futian, Shenzhen, China



Customer Information Sheet

DRAWING No.: K3606-XX

SHEET 2 OF 2

IF IN DOUBT - ASK

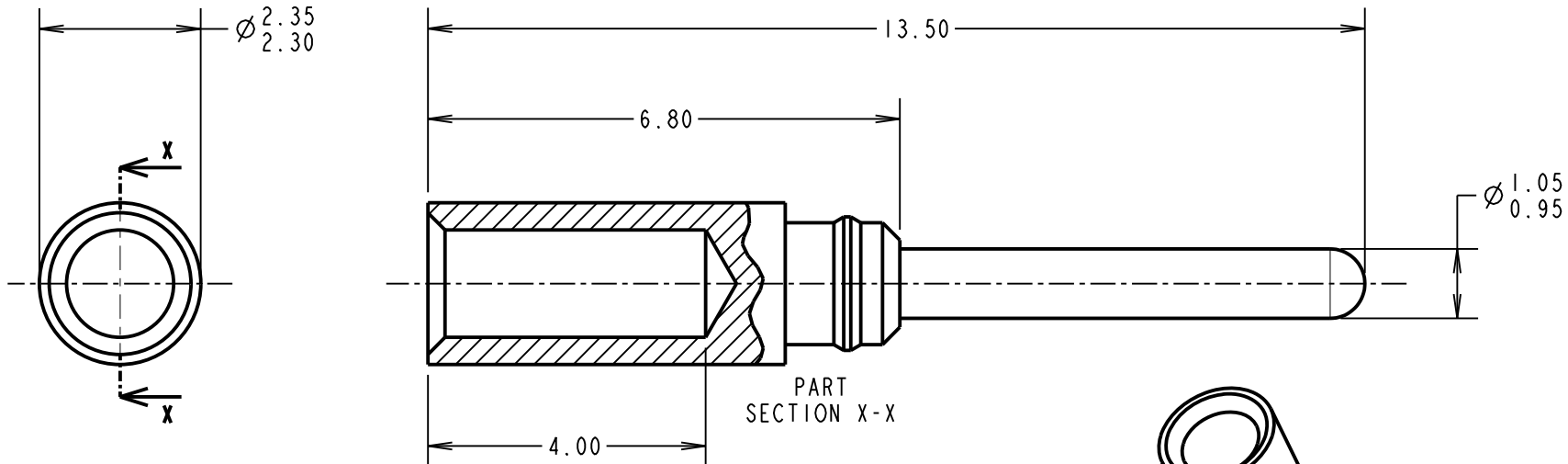
Ⓢ

NOT TO SCALE

THIRD ANGLE PROJECTION

ALL DIMENSIONS IN mm

SEE COMPONENT SPECIFICATION C034XX FOR ASSEMBLY INSTRUCTIONS AND TECHNICAL DATA

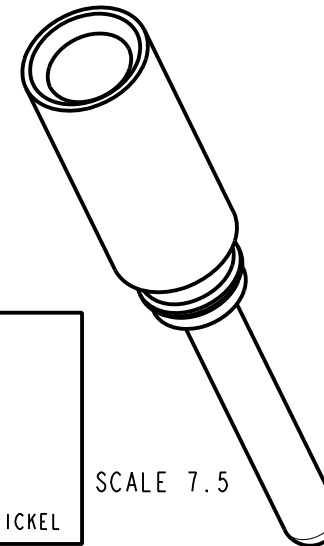


NOTES:

1. RELEVANT SPECIFICATIONS ARE QUOTED ON THE MOULDING DRAWINGS, AND IN COMPONENT SPECIFICATION C034XX (LATEST ISSUE). THE COMPONENT SPECIFICATION ALSO INCLUDES NOTES ON ASSEMBLY METHODS.
2. THIS CRIMP PIN FITS INTO MOULDINGS K3600-91 (2-WAY POWER CONNECTOR) OR K3700-91 (3-WAY POWER CONNECTOR).
3. HAND CRIMP TOOL M22520/2-01 WITH POSITIONER ZK3609-00 SHOULD BE USED TO CRIMP WIRE TO THIS PIN.
4. RECOMMENDED WIRE GAUGE = 18AWG, MAXIMUM INSULATION DIAMETER = $\varnothing 1.8\text{mm}$.
5. STRIP END OF WIRE BY 3.5-4mm.
6. ASSEMBLY TOOL ZK3610-00 CAN BE USED TO AID INSERTION AND EXTRACTION OF CONTACTS FROM MOULDING.

**Non-RoHS finish
OBSOLETE**

ORDER CODE:
K3606-XX
FINISH
05 = 0.05-0.10µ GOLD
06 = 3.5-5.0µ TIN/LEAD
46 = 3.5-5.0µ 100% TIN OVER NICKEL



SCALE 7.5

| | | | |
|----------------|------|-----------|--------|
| SB | 3 | 12.04.12 | 11703 |
| NAME | ISS. | DATE | C/NOTE |
| APPROVED: | | S.BENNETT | |
| CHECKED: | | M.PLESTED | |
| DRAWN: | | WJ BOURNE | |
| CUSTOMER REF.: | | | |
| ASSEMBLY DRG: | | | |

HARWIN

www.harwin.com
technical@harwin.com

THIS DRAWING AND ANY INFORMATION OR DESCRIPTIVE MATTER SET OUT HEREON ARE CONFIDENTIAL AND COPYRIGHT PROPERTY OF THE HARWIN GROUP AND MUST NOT BE DISCLOSED, LOANED, COPIED OR USED FOR MANUFACTURING, TENDERING OR FOR ANY OTHER PURPOSE WITHOUT THEIR WRITTEN PERMISSION.

TOLERANCES
X. = $\pm 1\text{mm}$
X.X = $\pm 0.25\text{mm}$
X.XX = $\pm 0.10\text{mm}$
X.XXX = $\pm 0.01\text{mm}$
ANGLES = $\pm 5^\circ$
UNLESS STATED

MATERIAL:
BRASS CW614N - CuZn39Pb3
TO BS EN 12164
FINISH: SEE ORDER CODE
S/AREA: mm²

TITLE:
POWER CONNECTOR
CRIMP PIN (18 AWG)

DRAWING NUMBER:
K3606-XX

SHT
2 OF 2